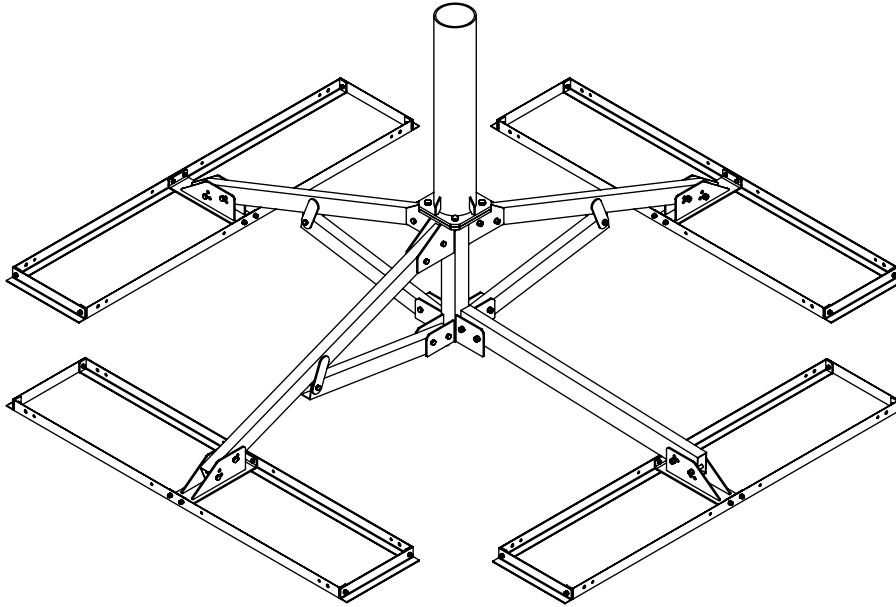


VL4-S-(000X0)-RP



SYM	PART#	DESCRIPTION	QTY.	
1	AB1037(9)HD	VL4 BASE, HDG	1	
2	AS REQ'D	MAST ASS'Y- DIA. & LENGTH AS REQ'D, HDG	1	
3	AB1512AHD	PL2/VL4 ARM ASS'Y, HDG	3	
4	AB1136AHD	PL2/VL4 BRACE TUBE, HDG	3	
5	AB1150HD	VL4 4TH LEG TUBE, HDG	1	
6	AB1756HD	FOOT ASS'Y, HDG	4	
7	H1-0750-200GR8	3/4"x 2" BOLT GR.5, Z/P	4	HDWE-MH7 QTY.1
8	H4-0750LW	3/4" SPLIT LOCKWASHER, Z/P	4	
9	H2-0750HN	3/4" NUT , Z/P	4	
10	AB1119BHD	6' BALLAST ANGLE, HDG	8	
11	AB1126BHD	16" SIDE PAD (1.5x2L), HDG	8	
12	H1-0500-350	1/2" x 3-1/2" BOLT GR.5, Z/P	25	HDWE-28X350 QTY.1
13	H4-0500LW	1/2" SPLITLOCKWASHER, Z/P	25	
14	H2-0500HN	1/2" NUT, Z/P	25	
15	H1-0375-100	3/8" x 1" BOLT GR.5, Z/P	32	HDWE-BT QTY.2
16	H4-0375LW	3/8" SPLIT LOCKWASHER, Z/P	32	
17	H2-0375HN	3/8" HEX NUT, Z/P	32	
		1/8" RUBBER PAD 16"x77"	4	
		PALLET	1	

PROPRIETARY AND CONFIDENTIAL

THE INFORMATION CONTAINED IN THIS DRAWING IS THE SOLE PROPERTY OF BAIRD SUPPORTING SYSTEMS. ANY REPRODUCTION IN PART OR AS A WHOLE WITHOUT THE WRITTEN PERMISSION OF BAIRD SUPPORTING SYSTEMS IS PROHIBITED.



WWW.BAIRD MOUNTS.COM

UNLESS OTHERWISE SPECIFIED:

DIMENSIONS ARE IN INCHES
TOLERANCES:
FRACTIONAL ±
ANGULAR: MACH ± BEND ±
TWO PLACE DECIMAL ±
THREE PLACE DECIMAL ±

DO NOT SCALE DRAWING

BAIRD MOUNTING SYSTEMS

WATERLOO, IA 50703
PHONE: 319-233-3561
SALES@BAIRDMOUNTS.COM

TITLE:

VL4, SINGLE TRAY, MAST, RUBBER MAT,
PALLET

DRAWN BY
JK

MATERIAL
STEEL

DWG. PURPOSE
INST

PART. NO.

VL4-S-(000X0)-RP

DWG. NO.

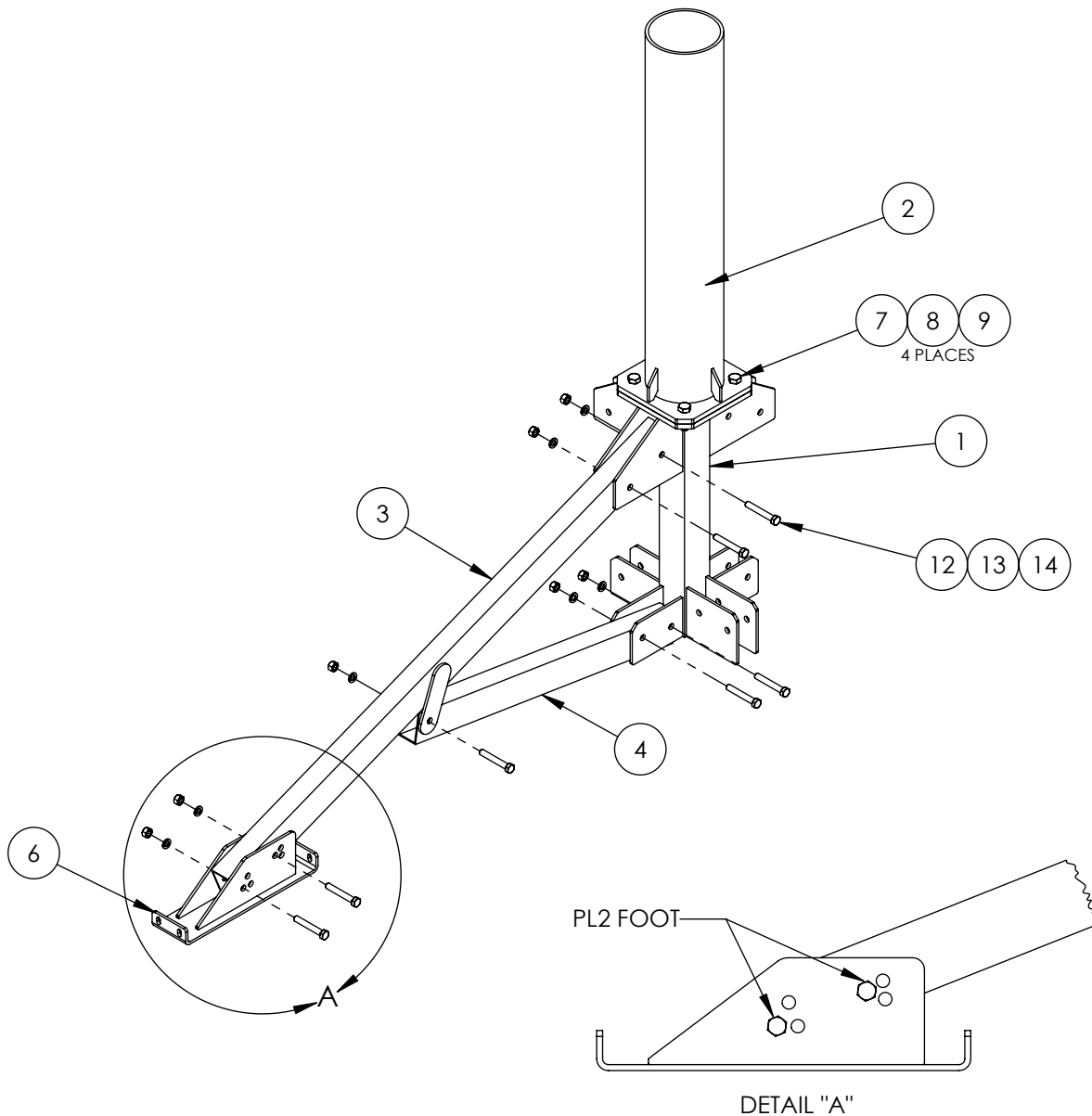
VL4-S-(000X0)-RP ASS'Y INST.

DATE
09/01/20


FINISH
HDG

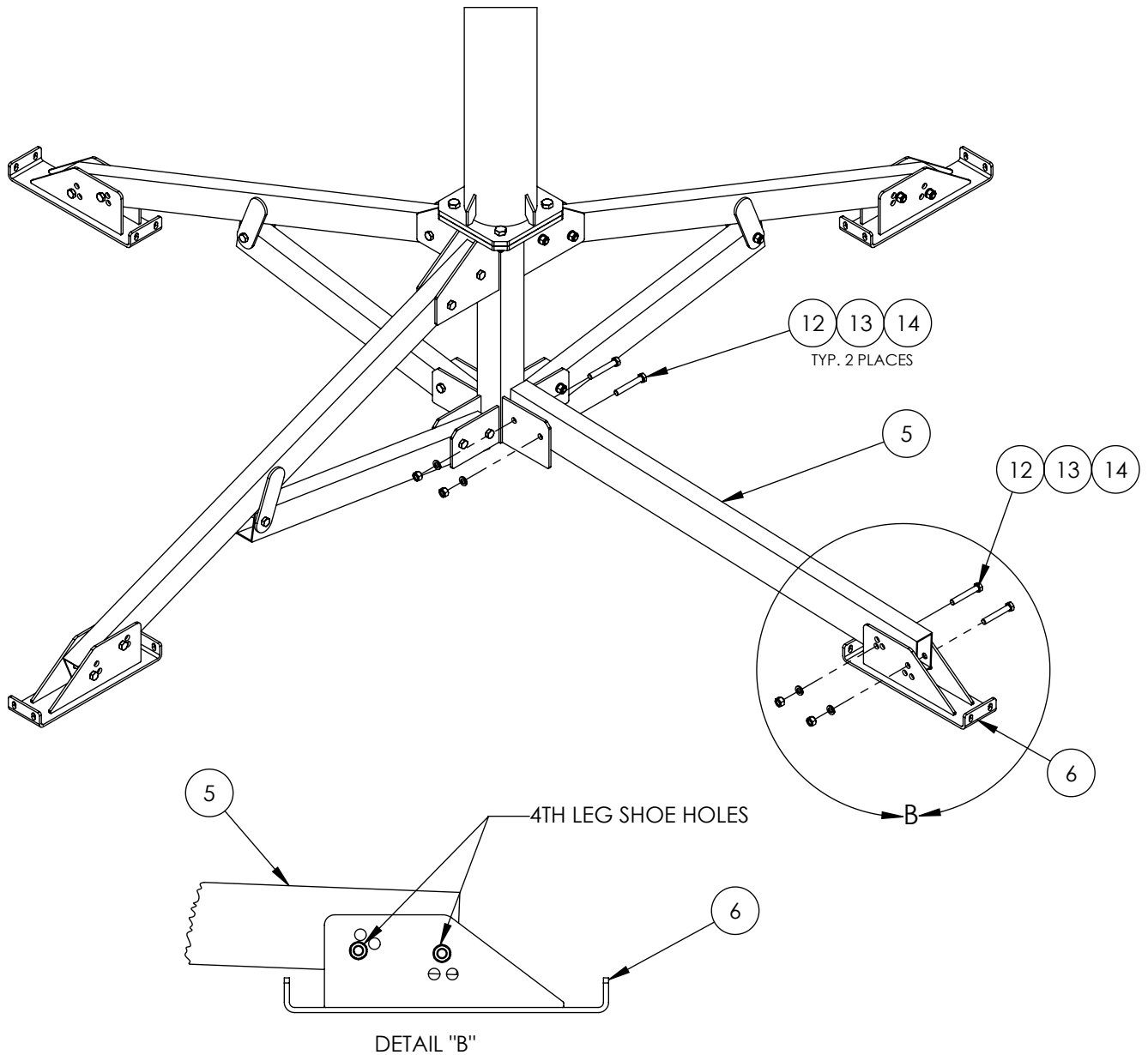
SHEET
1 OF 4

SCALE
-



- Attach the arm(#3) to the upper fins using (2) 1/2"x3-1/2" bolts, lockwashers and nuts.
- Next, attach the brace tube(#4) to the lower fins on the base using (2) 1/2"x3-1/2" bolts, lockwashers and nuts.
- Bolt the foot(#6) to the end of the arm using (2) 1/2"x3-1/2" bolts, lockwashers and nuts.
- Repeat this procedure for thres more sides of the mount. It may help to place the mount on a 3" tall block to keep pressure off the arms while aligning the bolt holes. **Do not tighten hardware until assembly is complete and mount is in its final location.**

PROPRIETARY AND CONFIDENTIAL THE INFORMATION CONTAINED IN THIS DRAWING IS THE SOLE PROPERTY OF BAIRD SUPPORTING SYSTEMS. ANY REPRODUCTION IN PART OR AS A WHOLE WITHOUT THE WRITTEN PERMISSION OF BAIRD SUPPORTING SYSTEMS IS PROHIBITED.		BAIRD MOUNTING SYSTEMS WATERLOO, IA 50703 PHONE: 319-233-3561 SALES@BAIRDMOUNTS.COM		DRAWN BY JK	DATE 09/01/20
 WWW.BAIRDMOUNTS.COM	UNLESS OTHERWISE SPECIFIED: DIMENSIONS ARE IN INCHES TOLERANCES: FRACTIONAL ± ANGULAR: MACH ± BEND ± TWO PLACE DECIMAL ± THREE PLACE DECIMAL ±	TITLE: VL4, SINGLE TRAY, MAST, RUBBER MAT, PALLET	MATERIAL STEEL	FINISH HDG	DWG. PURPOSE INST
	DO NOT SCALE DRAWING	PART. NO. VL4-S-(000X0)-RP	DWG. NO. VL4-S-(000X0)-RP ASS'Y INST.	SHEET 2	SCALE -



- Attach the 4th leg tube (#5) to the foot (#6) using (2) 1/2"x3-1/2" bolts, lockwashers and nuts. Detail "B" shows the holes to use in the foot assy. Note: the holes in the 4th leg tube are closer to the bottom edge of the tube when installed)
- Bolt the other end of the 4th leg tube (#5) to the large lower fins on the base (#1) using (2) 1/2"x3-1/2" bolts, lockwashers and nuts.
- Do not tighten hardware until assembly is complete and mount is in its final location.**

PROPRIETARY AND CONFIDENTIAL

THE INFORMATION CONTAINED IN THIS DRAWING IS THE SOLE PROPERTY OF BAIRD SUPPORTING SYSTEMS. ANY REPRODUCTION IN PART OR AS A WHOLE WITHOUT THE WRITTEN PERMISSION OF BAIRD SUPPORTING SYSTEMS IS PROHIBITED.



WWW.BAIRD MOUNTS.COM

UNLESS OTHERWISE SPECIFIED:

DIMENSIONS ARE IN INCHES
 TOLERANCES:
 FRACTIONAL ±
 TWO PLACE DECIMAL ±
 THREE PLACE DECIMAL ±
 ANGULAR: MACH ± BEND ±

DO NOT SCALE DRAWING

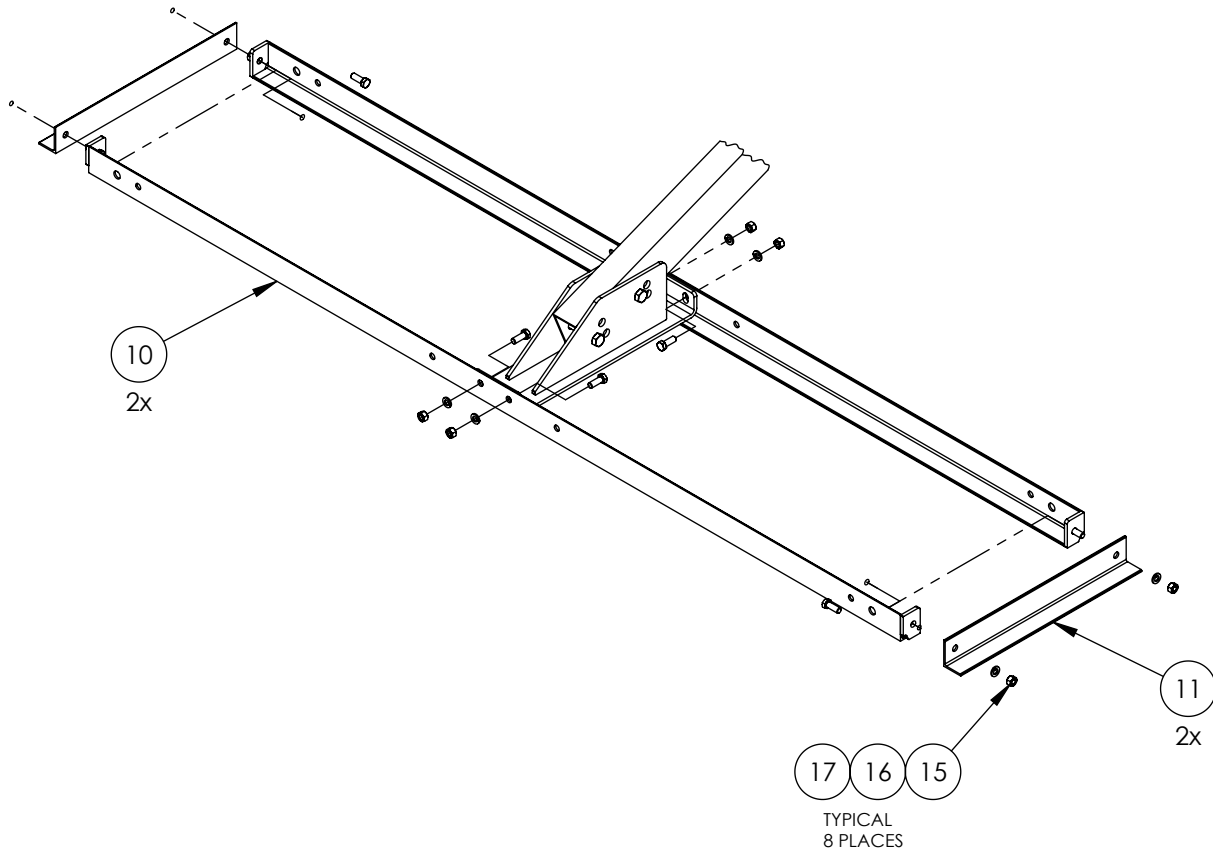
BAIRD MOUNTING SYSTEMS

WATERLOO, IA 50703
 PHONE: 319-233-3561
 SALES@BAIRDMOUNTS.COM

TITLE:

VL4, SINGLE TRAY, MAST, RUBBER MAT, PALLET

DRAWN BY JK	DATE 09/01/20
MATERIAL STEEL	FINISH HDG
DWG. PURPOSE INST	SHEET 3
PART. NO. VL4-S-(000X0)-RP	SCALE -
DWG. NO. VL4-S-(000X0)-RP ASS'Y INST.	



Assemble the ballast trays, as shown above, using two 6' ballast angles #10, two 16" side pads #11 and eight 3/8"x1" bolts/nuts/lockwashers. Repeat the process for each leg.

PROPRIETARY AND CONFIDENTIAL

THE INFORMATION CONTAINED IN THIS DRAWING IS THE SOLE PROPERTY OF BAIRD SUPPORTING SYSTEMS. ANY REPRODUCTION IN PART OR AS A WHOLE WITHOUT THE WRITTEN PERMISSION OF BAIRD SUPPORTING SYSTEMS IS PROHIBITED.



WWW.BAIRD MOUNTS.COM

UNLESS OTHERWISE SPECIFIED:

DIMENSIONS ARE IN INCHES
 TOLERANCES:
 FRACTIONAL ±
 ANGULAR: MACH ± BEND ±
 TWO PLACE DECIMAL ±
 THREE PLACE DECIMAL ±

DO NOT SCALE DRAWING

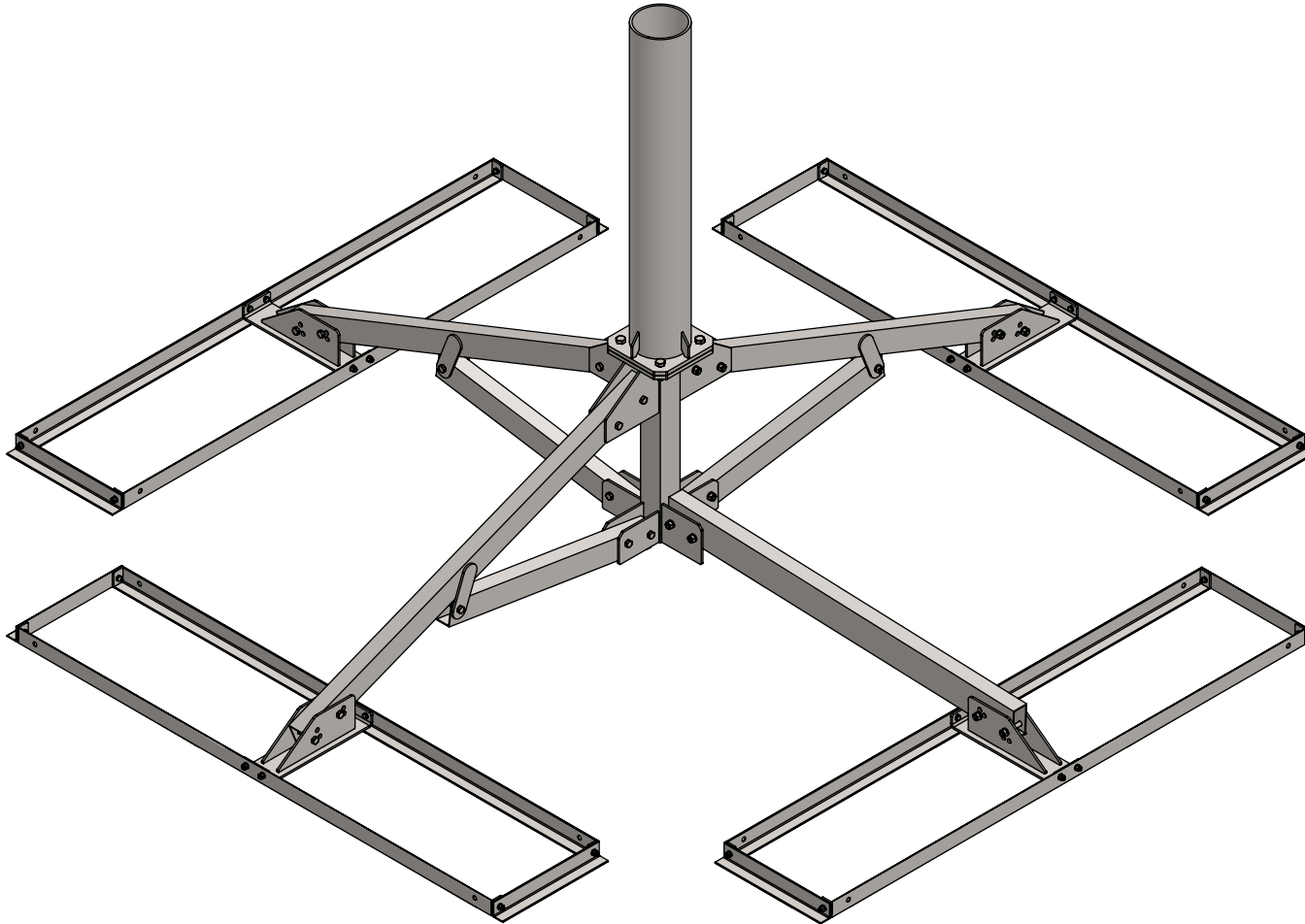
BAIRD MOUNTING SYSTEMS

WATERLOO, IA 50703
 PHONE: 319-233-3561
 SALES@BAIRD MOUNTS.COM

TITLE:
 VL4, SINGLE TRAY, MAST, RUBBER MAT,
 PALLET

DRAWN BY JK	DATE 09/01/20	
MATERIAL STEEL	FINISH HDG	
DWG. PURPOSE INST	SHEET 4	SCALE -
PART. NO. VL4-S-(000X0)-RP		
DWG. NO. VL4-S-(000X0)-RP ASS'Y INST.		

PART NO.	MAST DIAMETER	WEIGHT
VL4-S-662X35	6.62"OD	402 lbs.



PROPRIETARY AND CONFIDENTIAL
 THE INFORMATION CONTAINED IN THIS DRAWING IS THE SOLE PROPERTY OF BAIRD SUPPORTING SYSTEMS. ANY REPRODUCTION IN PART OR AS A WHOLE WITHOUT THE WRITTEN PERMISSION OF BAIRD SUPPORTING SYSTEMS IS PROHIBITED.



WWW.BAIRD MOUNTS.COM

UNLESS OTHERWISE SPECIFIED:
 DIMENSIONS ARE IN INCHES
 TOLERANCES:
 FRACTIONAL ±
 ANGULAR: MACH ± BEND ±
 TWO PLACE DECIMAL ±
 THREE PLACE DECIMAL ±

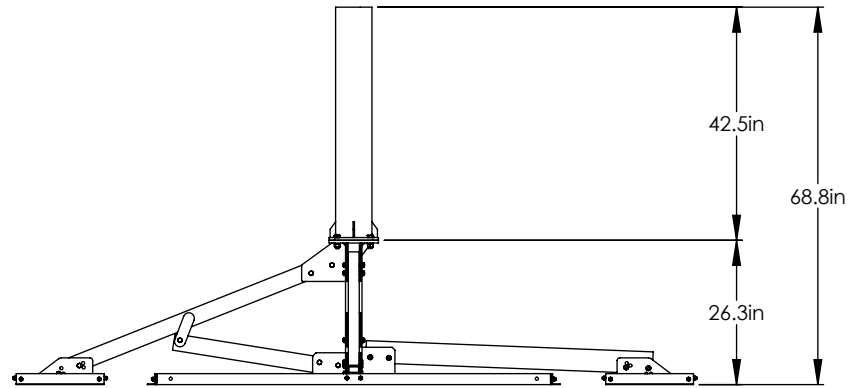
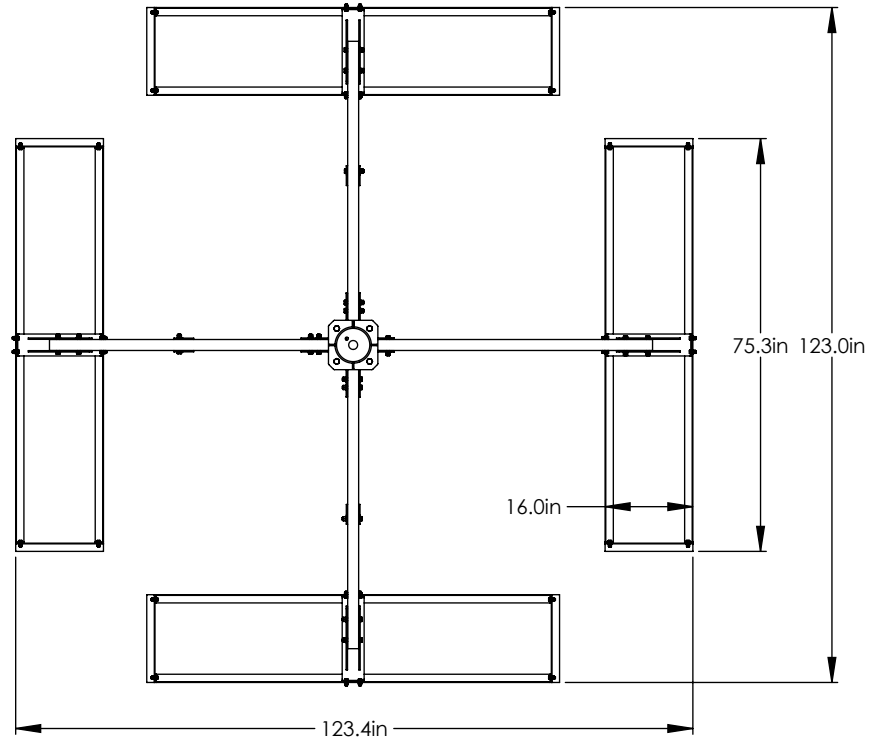
DO NOT SCALE DRAWING

BAIRD MOUNTING SYSTEMS

WATERLOO, IA 50703
 PHONE: 319-233-3561
 SALES@BAIRD MOUNTS.COM

DESCRIPTION:
 VL4-SINGLE TRAY WITH 3.5' MAST

DRAWN BY JK	DATE 04/20/18	
MATERIAL STEEL	FINISH HDG	
DWG. PURPOSE CUSTOMER	SHEET 1OF2	SCALE -
PART. NO. SEE TABLE		
DWG. NO. VL4-S-(000)X35		



PROPRIETARY AND CONFIDENTIAL
 THE INFORMATION CONTAINED IN THIS DRAWING IS THE SOLE PROPERTY OF BAIRD SUPPORTING SYSTEMS. ANY REPRODUCTION IN PART OR AS A WHOLE WITHOUT THE WRITTEN PERMISSION OF BAIRD SUPPORTING SYSTEMS IS PROHIBITED.



WWW.BAIRD MOUNTS.COM

UNLESS OTHERWISE SPECIFIED:
 DIMENSIONS ARE IN INCHES
 TOLERANCES:
 FRACTIONAL ±
 ANGULAR: MACH ± BEND ±
 TWO PLACE DECIMAL ±
 THREE PLACE DECIMAL ±

DO NOT SCALE DRAWING

BAIRD MOUNTING SYSTEMS

WATERLOO, IA 50703
 PHONE: 319-233-3561
 SALES@BAIRD MOUNTS.COM

DESCRIPTION:
 VL4-SINGLE TRAY WITH 3.5' MAST

DRAWN BY JK	DATE 04/20/18
MATERIAL STEEL	FINISH HDG
DWG. PURPOSE CUSTOMER	SHEET 2OF2
	SCALE -

PART. NO.
 SEE TABLE-SHEET 1

DWG. NO.
 VL4-S-(000)X35