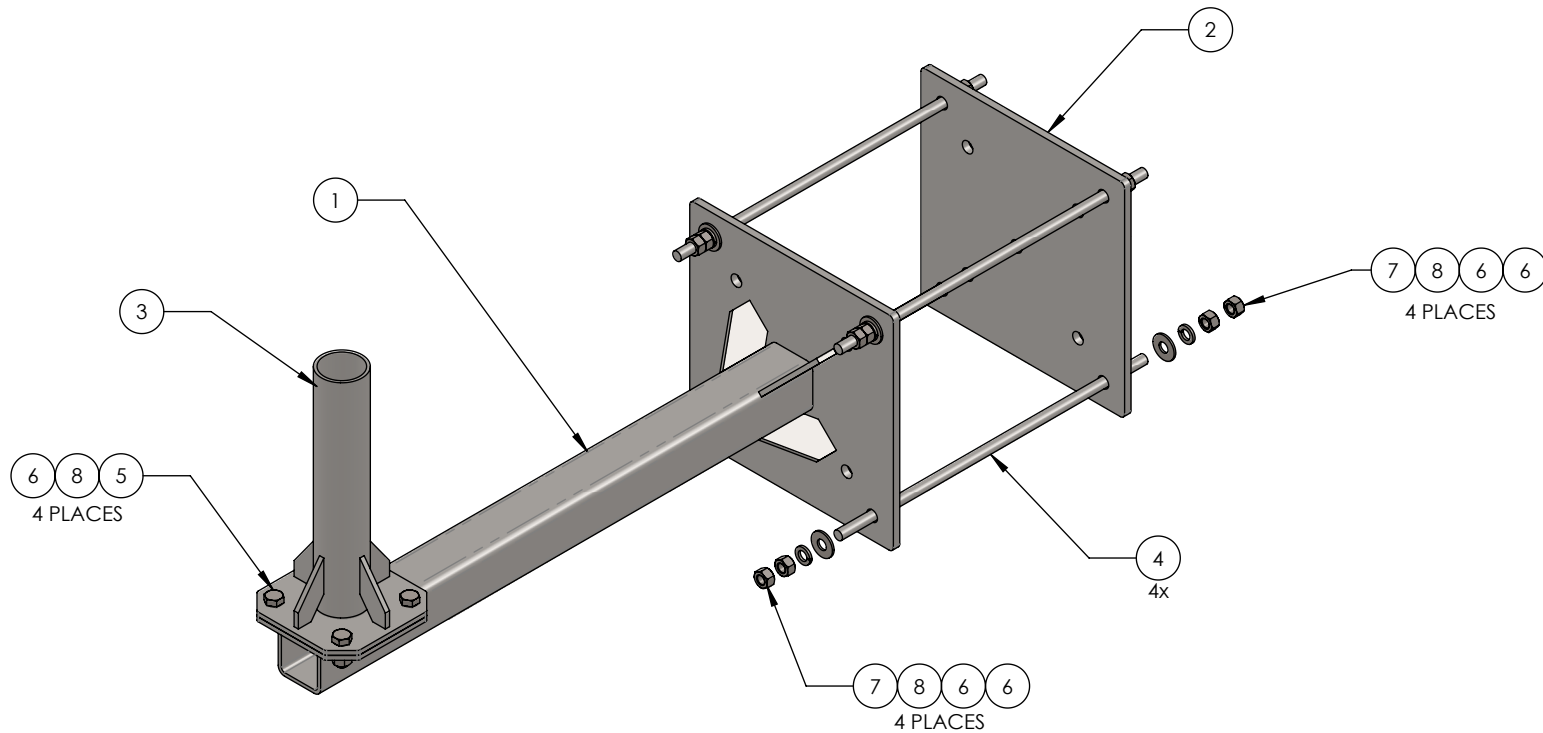


SYM	PART NUMBER	DESCRIPTION	QTY.
1	AB5748(26OS)WMMHD	WMM STAND-OFF ARM, HDG	1
2	B5639(.37)-1	BACK PLATE, HDG	1
3	AS REQ'D	DIAMETER & LENGTH AS RE'D	1
4	.50TRODA449HDG	1/2" x 18" THREADED ROD A449, HDG	4
5	H1-0500-125A325HDG	1/2"x1-1/4" BOLT A325, HDG	4
6	H2-0500HN2HHDG	1/2" HVY HEX NUT GR.2H, HDG	20
7	H3-0500FWHDG	1/2" USS FLATWASHER, HDG	8
8	H4-0500LWHDG	1/2" LOCKWASHER, HDG	12



PROPRIETARY AND CONFIDENTIAL
 THE INFORMATION CONTAINED IN THIS DRAWING IS THE SOLE PROPERTY OF BAIRD SUPPORTING SYSTEMS. ANY REPRODUCTION IN PART OR AS A WHOLE WITHOUT THE WRITTEN PERMISSION OF BAIRD SUPPORTING SYSTEMS IS PROHIBITED.



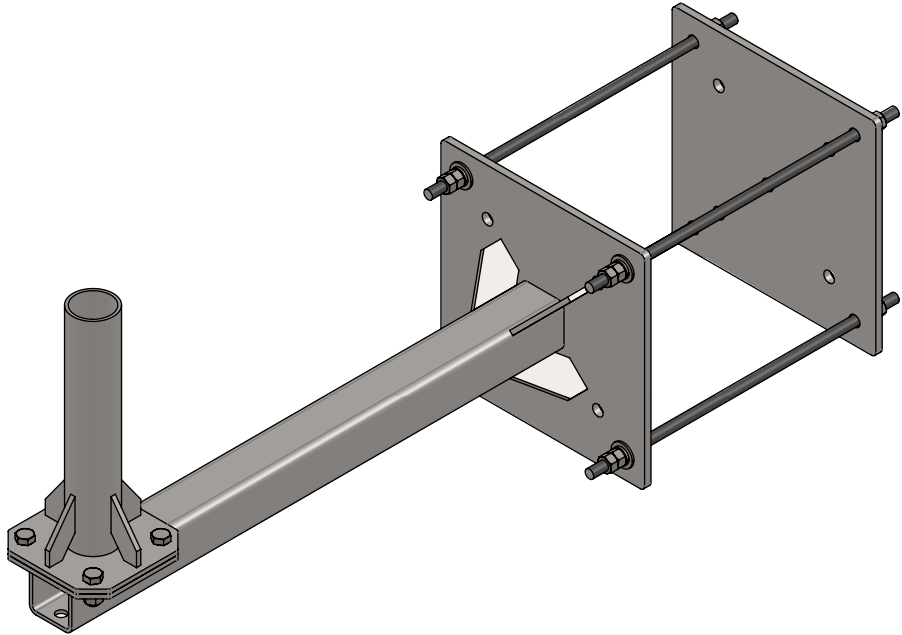
UNLESS OTHERWISE SPECIFIED:
 DIMENSIONS ARE IN INCHES
 TOLERANCES:
 FRACTIONAL ±
 ANGULAR: MACH ± BEND ±
 TWO PLACE DECIMAL ±
 THREE PLACE DECIMAL ±
 DO NOT SCALE DRAWING

BAIRD MOUNTING SYSTEMS
 WATERLOO, IA 50703
 PHONE: 319-233-3561
 SALES@BAIRDMOUNTS.COM

TITLE:
 UWPM2-26OS-(000X0)-MK

DRAWN BY JK	DATE 02/02/17	
MATERIAL STEEL	FINISH HDG	
DWG. PURPOSE ASSY INST	SHEET 10F1	SCALE -
PART. NO. -		
DWG. NO. UWPM2-26OSD-(000X0)-MK INST		

PART NO.	MAST DIAMETER	WEIGHT
UWPM2-260S-190X1-MK	1.90"OD	59 lbs.
UWPM2-260S-200X1-MK	2.00"OD	59 lbs.
UWPM2-260S-237X1-MK	2.37"OD	60 lbs.
UWPM2-260S-288X1-MK	2.88"OD	60 lbs.



PROPRIETARY AND CONFIDENTIAL
 THE INFORMATION CONTAINED IN THIS DRAWING IS THE SOLE PROPERTY OF BAIRD SUPPORTING SYSTEMS. ANY REPRODUCTION IN PART OR AS A WHOLE WITHOUT THE WRITTEN PERMISSION OF BAIRD SUPPORTING SYSTEMS IS PROHIBITED.



WWW.BAIRD MOUNTS.COM

UNLESS OTHERWISE SPECIFIED:
 DIMENSIONS ARE IN INCHES
 TOLERANCES:
 FRACTIONAL ±
 ANGULAR: MACH ± BEND ±
 TWO PLACE DECIMAL ±
 THREE PLACE DECIMAL ±

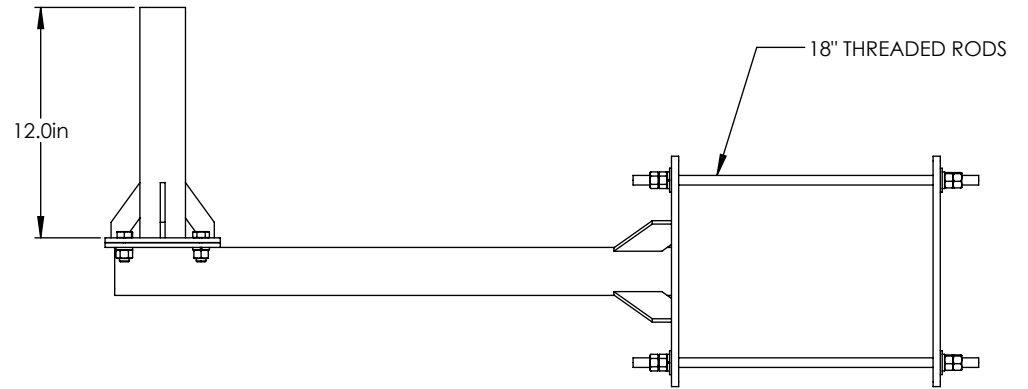
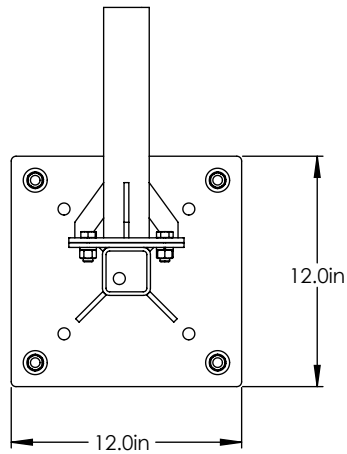
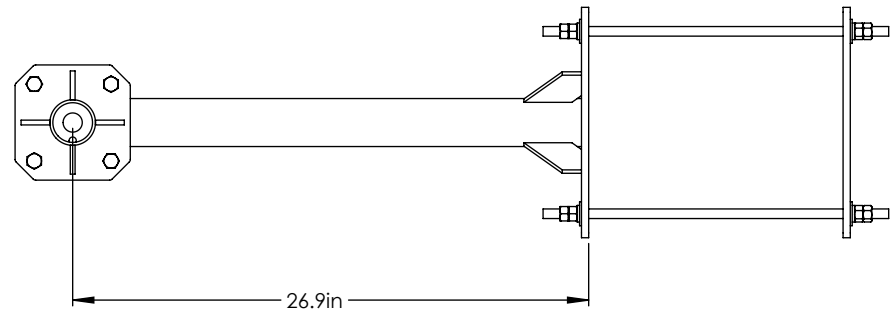
DO NOT SCALE DRAWING

BAIRD MOUNTING SYSTEMS

WATERLOO, IA 50703
 PHONE: 319-233-3561
 SALES@BAIRD MOUNTS.COM

TITLE:
 UNIVERSAL WALL PLATE MOUNT w/ 1' MAST
 AND MOUNTING KIT

DRAWN BY JK	DATE 07/22/13	
MATERIAL STEEL	FINISH HDG	
DWG. PURPOSE CUSTOMER	SHEET 1 OF 2	SCALE -
PART. NO. SEE TABLE		
DWG. NO. UWPM2-260S-(000)X1-MK		



PROPRIETARY AND CONFIDENTIAL
 THE INFORMATION CONTAINED IN THIS DRAWING IS THE SOLE PROPERTY OF BAIRD SUPPORTING SYSTEMS. ANY REPRODUCTION IN PART OR AS A WHOLE WITHOUT THE WRITTEN PERMISSION OF BAIRD SUPPORTING SYSTEMS IS PROHIBITED.



WWW.BAIRD MOUNTS.COM

UNLESS OTHERWISE SPECIFIED:
 DIMENSIONS ARE IN INCHES
 TOLERANCES:
 FRACTIONAL ±
 ANGULAR: MACH ± BEND ±
 TWO PLACE DECIMAL ±
 THREE PLACE DECIMAL ±

DO NOT SCALE DRAWING

BAIRD MOUNTING SYSTEMS

WATERLOO, IA 50703
 PHONE: 319-233-3561
 SALES@BAIRD MOUNTS.COM

TITLE:
 UNIVERSAL WALL PLATE MOUNT
 w/ 1' MAST AND MOUNTING KIT

DRAWN BY JK	DATE 07/22/13	
MATERIAL STEEL	FINISH HDG	
DWG. PURPOSE CUSTOMER	SHEET 2OF2	SCALE -

PART. NO.
 SEE TABLE(SHEET1)
 DWG. NO.
 UWPM2-26OS-(000)X1-MK