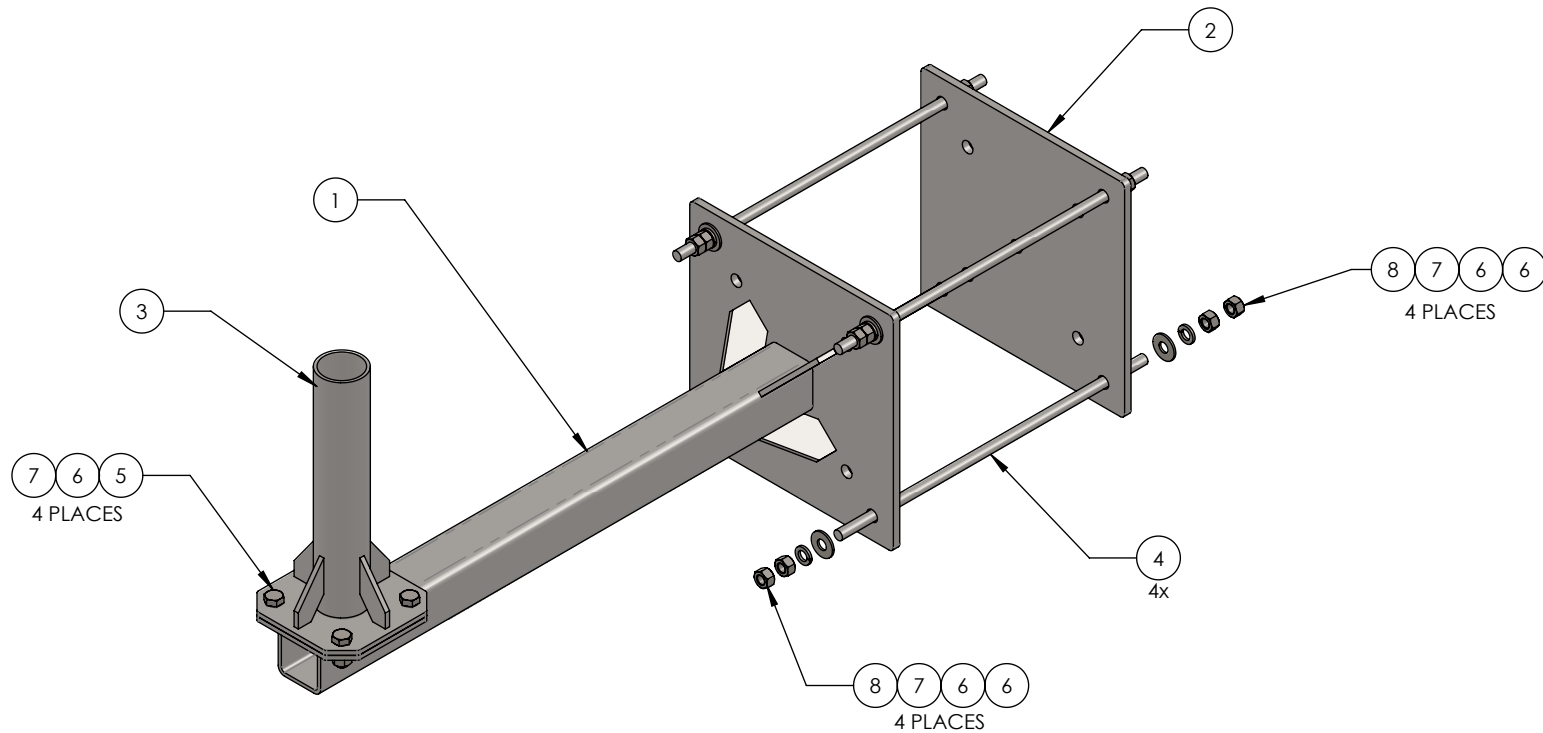


SYM.	PART NUMBER	DESCRIPTION	QTY.
1	AB5748(26OS)WMMHD	WMM STAND-OFF ARM, HDG	1
2	AS REQ'D	DIAMETER & LENGTH AS REQ'D	1
3	B1346-18	1/2" x 18" LONG THREADED ROD Z/P	4
5	H1-0500-125	1/2"x 1-1/4" BOLT GR.5 ZNC	4
6	H2-0500HN	1/2" NUT, Z/P	20
6	H4-0500LW	1/2" LOCKWASHER, Z/P	12
7	H3-0500FW	1/2" USS FLATWASHER, Z/P	8
2	B5639(.37)-1HD	BACK PLATE, HDG	1



PROPRIETARY AND CONFIDENTIAL
 THE INFORMATION CONTAINED IN THIS DRAWING IS THE SOLE PROPERTY OF BAIRD SUPPORTING SYSTEMS. ANY REPRODUCTION IN PART OR AS A WHOLE WITHOUT THE WRITTEN PERMISSION OF BAIRD SUPPORTING SYSTEMS IS PROHIBITED.



WWW.BAIRD MOUNTS.COM

UNLESS OTHERWISE SPECIFIED:
 DIMENSIONS ARE IN INCHES
 TOLERANCES:
 FRACTIONAL ±
 ANGULAR: MACH ± BEND ±
 TWO PLACE DECIMAL ±
 THREE PLACE DECIMAL ±

DO NOT SCALE DRAWING

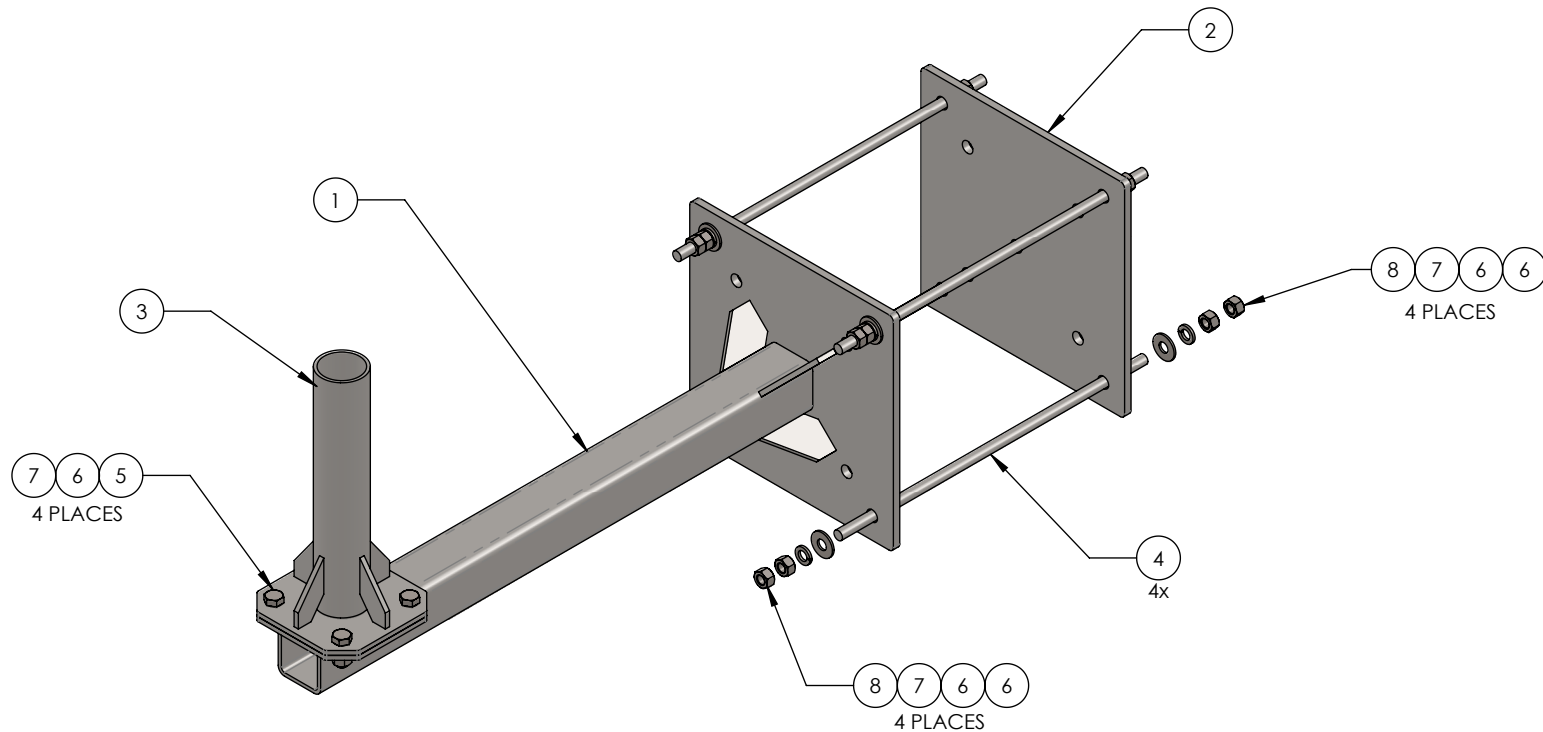
BAIRD MOUNTING SYSTEMS

WATERLOO, IA 50703
 PHONE: 319-233-3561
 SALES@BAIRDMOUNTS.COM

TITLE:
 UWPM2-26OS-(000X0)-MK

DRAWN BY JK	DATE 02/02/17	
MATERIAL STEEL	FINISH HDG	
DWG. PURPOSE ASSY INST	SHEET 10F1	SCALE -
PART. NO. -		
DWG. NO. UWPM2-26OSD-(000X0)-MK INST		

SYM.	PART NUMBER	DESCRIPTION	QTY.
1	AB5748(26OS)WMMHD	WMM STAND-OFF ARM, HDG	1
2	AS REQ'D	DIAMETER & LENGTH AS REQ'D	1
3	B1346-18	1/2" x 18" LONG THREADED ROD Z/P	4
5	H1-0500-125	1/2"x 1-1/4" BOLT GR.5 ZNC	4
6	H2-0500HN	1/2" NUT, Z/P	20
6	H4-0500LW	1/2" LOCKWASHER, Z/P	12
7	H3-0500FW	1/2" USS FLATWASHER, Z/P	8
2	B5639(.37)-1HD	BACK PLATE, HDG	1



PROPRIETARY AND CONFIDENTIAL
 THE INFORMATION CONTAINED IN THIS DRAWING IS THE SOLE PROPERTY OF BAIRD SUPPORTING SYSTEMS. ANY REPRODUCTION IN PART OR AS A WHOLE WITHOUT THE WRITTEN PERMISSION OF BAIRD SUPPORTING SYSTEMS IS PROHIBITED.



WWW.BAIRD MOUNTS.COM

UNLESS OTHERWISE SPECIFIED:
 DIMENSIONS ARE IN INCHES
 TOLERANCES:
 FRACTIONAL ±
 ANGULAR: MACH ± BEND ±
 TWO PLACE DECIMAL ±
 THREE PLACE DECIMAL ±

DO NOT SCALE DRAWING

BAIRD MOUNTING SYSTEMS

WATERLOO, IA 50703
 PHONE: 319-233-3561
 SALES@BAIRDMOUNTS.COM

TITLE:
 UWPM2-26OS-(000X0)-MK

DRAWN BY JK	DATE 02/02/17	
MATERIAL STEEL	FINISH HDG	
DWG. PURPOSE ASSY INST	SHEET 10F1	SCALE -
PART. NO. -		
DWG. NO. UWPM2-26OSD-(000X0)-MK INST		