


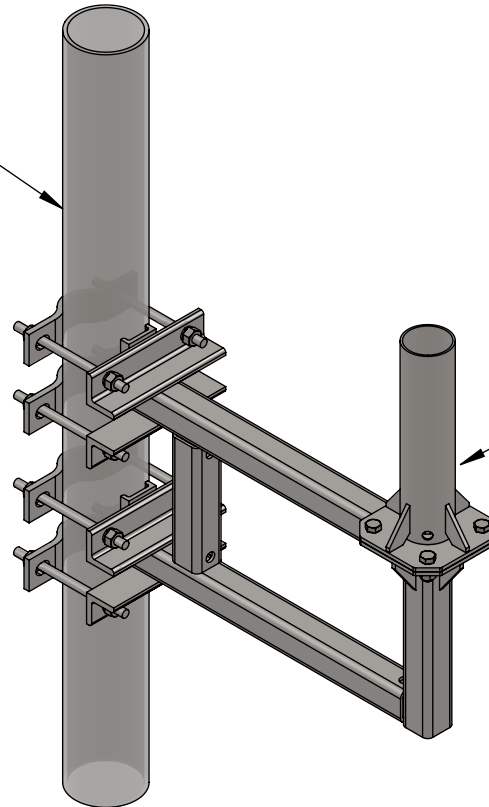
SYM.	PART #	DESCRIPTION	QTY
1	AB5243(6P-L)HD	TM 12 ASSY w/6\"/>	

MOUNT WILL CLAMP TO 2.88\"/>

<p>PROPRIETARY AND CONFIDENTIAL</p> <p>THE INFORMATION CONTAINED IN THIS DRAWING IS THE SOLE PROPERTY OF BAIRD SUPPORTING SYSTEMS. ANY REPRODUCTION IN PART OR AS A WHOLE WITHOUT THE WRITTEN PERMISSION OF BAIRD SUPPORTING SYSTEMS IS PROHIBITED.</p>	 <p>WWW.BAIRD MOUNTS.COM</p>	<p>UNLESS OTHERWISE SPECIFIED: DIMENSIONS ARE IN INCHES TOLERANCES: FRACTIONAL ± ANGULAR: MACH ± BEND ± TWO PLACE DECIMAL ± THREE PLACE DECIMAL ±</p>	<p>BAIRD MOUNTING SYSTEMS</p> <p>WATERLOO, IA 50703 PHONE: 319-233-3561 SALES@BAIRD MOUNTS.COM</p>		<p>DRAWN BY JK</p>	<p>DATE 07/12/17</p>
			<p>TITLE: TOWER MOUNT FOR 1.2M ANTENNA- TOWER LEG 2.88\"/> </p>		<p>MATERIAL STEEL</p>	<p>FINISH HDG</p>
<p>DO NOT SCALE DRAWING</p>			<p>PART. NO. -</p>		<p>DWG. NO. TM12P6L-(000)X(0)INST</p>	

PART NO.	MAST DIAMETER	WEIGHT
TM12P6L-190X1	1.90"OD	57 lbs.
TM12P6L-200X1	2.00"OD	57 lbs.
TM12P6L-237X1	2.37"OD	58 lbs.
TM12P6L-288X1	2.88"OD	60 lbs.

EXISTING 2.88"OD TO 4.5"OD
TOWER LEG/VERTICAL POST



MAST DIAMETER (see chart)

PROPRIETARY AND CONFIDENTIAL
THE INFORMATION CONTAINED IN THIS DRAWING IS THE SOLE PROPERTY OF BAIRD SUPPORTING SYSTEMS. ANY REPRODUCTION IN PART OR AS A WHOLE WITHOUT THE WRITTEN PERMISSION OF BAIRD SUPPORTING SYSTEMS IS PROHIBITED.



WWW.BAIRD MOUNTS.COM

UNLESS OTHERWISE SPECIFIED:
DIMENSIONS ARE IN INCHES
TOLERANCES:
FRACTIONAL ±
TWO PLACE DECIMAL ±
THREE PLACE DECIMAL ±
ANGULAR: MACH ± BEND ±

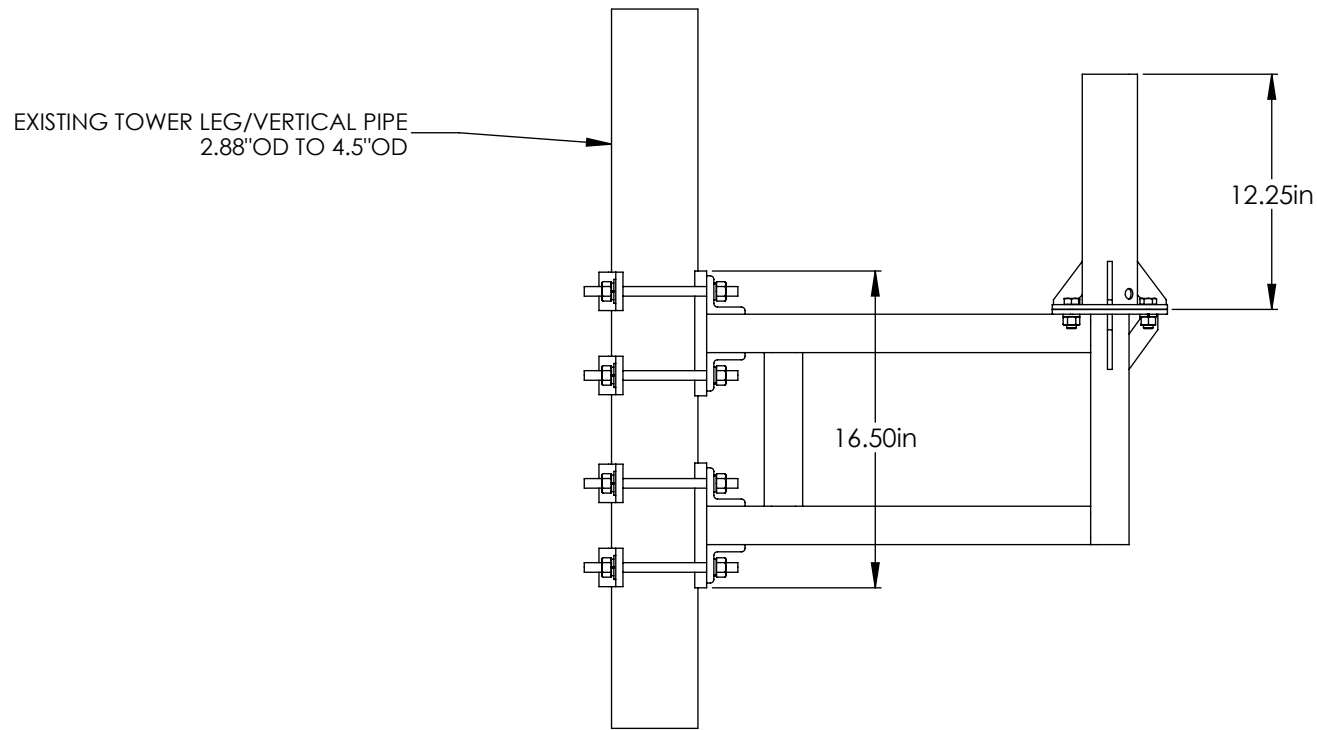
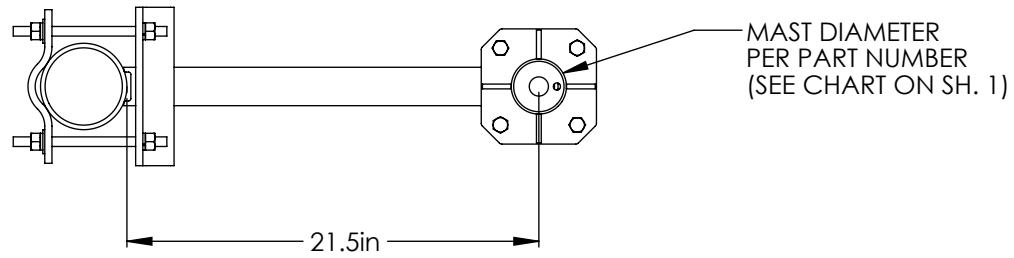
DO NOT SCALE DRAWING

BAIRD MOUNTING SYSTEMS

WATERLOO, IA 50703
PHONE: 319-233-3561
SALES@BAIRD MOUNTS.COM

TITLE:
TOWER MOUNT FOR 1.2M ANTENNA- TOWER
LEG 2.88"OD TO 4.5"OD

DRAWN BY JK	DATE 11/23/16	
MATERIAL STEEL	FINISH HDG	
DWG. PURPOSE CUSTOMER	SHEET 1 OF 2	SCALE -
PART. NO. SEE CHART		
DWG. NO. TM12P6L-(000)X1		



PROPRIETARY AND CONFIDENTIAL
 THE INFORMATION CONTAINED IN THIS DRAWING IS THE SOLE PROPERTY OF BAIRD SUPPORTING SYSTEMS. ANY REPRODUCTION IN PART OR AS A WHOLE WITHOUT THE WRITTEN PERMISSION OF BAIRD SUPPORTING SYSTEMS IS PROHIBITED.



WWW.BAIRD MOUNTS.COM

UNLESS OTHERWISE SPECIFIED:
 DIMENSIONS ARE IN INCHES
 TOLERANCES:
 FRACTIONAL ±
 ANGULAR: MACH ± BEND ±
 TWO PLACE DECIMAL ±
 THREE PLACE DECIMAL ±

DO NOT SCALE DRAWING

BAIRD MOUNTING SYSTEMS

WATERLOO, IA 50703
 PHONE: 319-233-3561
 SALES@BAIRD MOUNTS.COM

TITLE:
 TOWER MOUNT FOR 1.2M ANTENNA- TOWER
 LEG 2.88"OD TO 4.5"OD

DRAWN BY JK	DATE 11/23/16	
MATERIAL STEEL	FINISH HDG	
DWG. PURPOSE CUSTOMER	SHEET 2 OF 2	SCALE -
PART. NO. SEE CHART		
DWG. NO. TM12P6L-(000)X1		