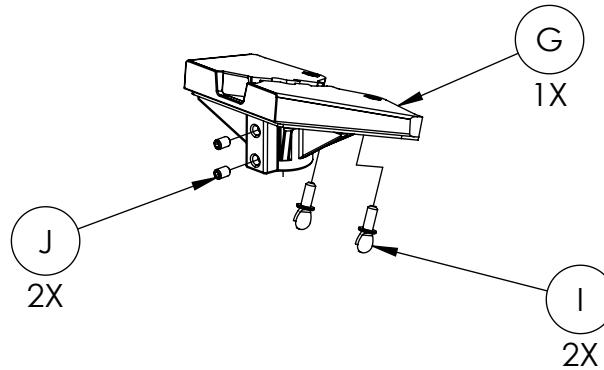




### PIPE ADAPTER KIT FOR GEN3

ITEM	DESCRIPTION	QTY	PRE-ASSEMBLED
G	STRLNK GEN3 ADAPTER FOR 1.31"OD	1	
H	5/16" THIN HEX NUT, Z/P	4	
I	5/16" x 3/4" FLANGED THUMB SCREW, Z/P	2	
J	5/16x1/2" SET SCREW, Z/P	2	



REMOVE THE KICKSTAND FROM THE STARLINK ANTENNA, PER MANUFACTURER'S INSTRUCTIONS.

ATTACH THE ETHERNET CABLE TO THE ANTENNA.

LOOSEN EACH OF THE THUMB SCREWS ONE-HALF TURN FROM THE TIGHTENED POSITION.

POSITION ADAPTER ON THE BACK OF THE ANTENNA WITH THE CABLE IN THE TUNNEL OF THE ADAPTER. FIRMLY PUSH THE ADAPTER INTO THE ANTENNA, THE THUMB SCREWS WILL CLICK INTO THE TWO NOTCHES ON THE ANTENNA. TIGHTEN THE THUMB SCREWS.

REMOVE THE TWO SET SCREWS FROM THE ADAPTER WITH THE SUPPLIED 5/32" ALLEN WRENCH. SLIP THE ADAPTER ONTO THE 1.31"OD MAST, APPLY THREAD LOCKER TO THE SET SCREWS AND RE-INSTALL. POINT ANTENNA IN THE APPROPRIATE DIRECTION AND TIGHTEN THE SET-SCREWS WITH THE ALLEN WRENCH.

**PROPRIETARY AND CONFIDENTIAL**

THE INFORMATION CONTAINED IN THIS DRAWING IS THE SOLE PROPERTY OF BAIRD SUPPORTING SYSTEMS. ANY REPRODUCTION IN PART OR AS A WHOLE WITHOUT THE WRITTEN PERMISSION OF BAIRD SUPPORTING SYSTEMS IS PROHIBITED.



WWW.BAIRD MOUNTS.COM

UNLESS OTHERWISE SPECIFIED:

DIMENSIONS ARE IN INCHES  
 TOLERANCES:  
 FRACTIONAL ±  
 ANGULAR: MACH ± BEND ±  
 TWO PLACE DECIMAL ±  
 THREE PLACE DECIMAL ±

DO NOT SCALE DRAWING

**BAIRD MOUNTING SYSTEMS**

CEDAR FALLS, IA 50613  
 PHONE: 319-233-3561  
 SALES@BAIRDMOUNTS.COM

TITLE:

DRAWN BY	DATE	
-	11/15/23	
MATERIAL	FINISH	
	HDG	
DWG. PURPOSE	SHEET	SCALE
CUSTOMER	-	-
PART. NO.		
DWG. NO.		