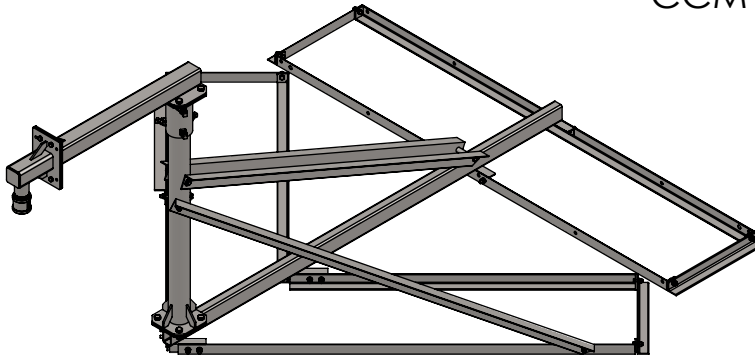


CCM-288X(X)-(CAXXX)



(CAXXXX):
 -CA24AXIS
 -CA24PN150
 -CA24PC150
 -CA60AXIS
 -CA60PN150
 -CA60PC150

SYM	PART#	DESCRIPTION	QTY.
1	AS REQ'D	2.88"OD x () CCM MAST, HDG	1
2	AB5603-1HD	CCM SUPPORT TUBE ASSY, HDG	1
3	AB5610(59.5)LHHD	LH LONG BALLAST PAD(59.5"), HDG	1
4	AB5610(59.5)RHHD	RH LONG BALLAST PAD(59.5"), HDG	1
5	AB5610(45)LHHD	LH SM BALLAST PAD(45"), HDG	1
6	AB5610(45)RHHD	RH SM BALLAST PAD(45"), HDG	1
7	AB1624HD	6' B4 BALLAST TRAY, HDG	2
8	AB1425HD	16" SIDE PAD (1.5"L), HDG	4
9	AB1621M(59.25)LHD	LH BRACE ANGLE(59.25"), HDG	2
10	AB1621M(59.25)RHD	RH BRACE ANGLE (59.25"), HDG	2
11	H1-0375-100	3/8"x1" BOLT GR5, Z/P	22
12	H1-0375-400TB	3/8"x4" FULL THREAD BOLT GR5, Z/P	4
13	H2-0375HN	3/8" HEX NUT, Z/P	23
14	H4-0375LW	3/8" LOCKWASHER, Z/P	23
15	H3-0375FW	3/8" FLATWASHER, Z/P	3
16	H2-0375WN	3/8" WHIZ-LOCK NUT,Z/P	3
17	H1-0500-125	1/2"x1-1/4" BOLT GR5, Z/P	4
18	H2-0500HN	1/2" NUT, Z/P	4
19	H4-0500LW	1/2" LOCKWASHER, Z/P	4
20A		RUBBER MATTING 32"x80"	1
20B		RUBBER MATTING 48"x80"	1

HDWE BAG

SUB-ASSEMBLY	SYM	PART#	DESCRIPTION	QTY.
	21	AB4999X.5(6)6H5HD	MAST ADAPTER 2.88"OD TO 6"PLT,HDG	1
22	H5-0500-125SHCPZ	1/2"x1-1/4" SQ.HD CUPPOINT STSC, Z/P	6	
23	H2-0500JN	1/2" JAM NUT, Z/P	6	
24	H1-0500-125	1/2"x1-1/4" BOLT GR5, Z/P	4	
25	H2-0500HN	1/2" NUT, Z/P	4	
26	H4-0500LW	1/2" LOCKWASHER, Z/P	4	

	CA24 AXIS	CA24 PN150	CA24 PC150	CA60 AXIS	CA60 PN150	CA60 PC150
27	1	1	1	-	-	-
27	-	-	-	1	1	1
28	-	1	1	-	1	1
29	-	-	1	-	-	1
30	-	4	4	-	4	4
31	-	4	4	-	4	4
32	-	4	4	-	4	4

PROPRIETARY AND CONFIDENTIAL

THE INFORMATION CONTAINED IN THIS DRAWING IS THE SOLE PROPERTY OF BAIRD SUPPORTING SYSTEMS. ANY REPRODUCTION IN PART OR AS A WHOLE WITHOUT THE WRITTEN PERMISSION OF BAIRD SUPPORTING SYSTEMS IS PROHIBITED.



WWW.BAIRD MOUNTS.COM

UNLESS OTHERWISE SPECIFIED:

DIMENSIONS ARE IN INCHES
 TOLERANCES:
 FRACTIONAL ±
 ANGULAR: MACH ± BEND ±
 TWO PLACE DECIMAL ±
 THREE PLACE DECIMAL ±

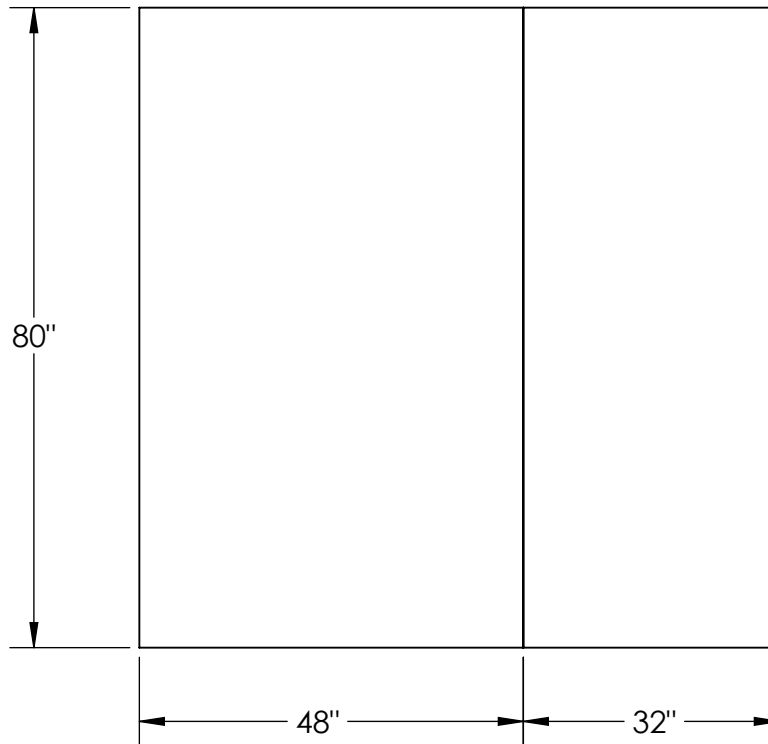
DO NOT SCALE DRAWING

BAIRD MOUNTING SYSTEMS

CEDAR FALLS, IA 50613
 PHONE: 319-233-3561
 SALES@BAIRDMOUNTS.COM

TITLE:
 CORNER CAMERA MOUNT, 2.88"OD x () MAST,
 CAMERA ARM

DRAWN BY JK	DATE 09/01/22	
MATERIAL STEEL	FINISH HDG	
DWG. PURPOSE CUSTOMER	SHEET 1	SCALE -
PART. NO. -		
DWG. NO. CCM-288X(X)-(CAXXX) INST		



Rubber pad layout

PROPRIETARY AND CONFIDENTIAL

THE INFORMATION CONTAINED IN THIS DRAWING IS THE SOLE PROPERTY OF BAIRD SUPPORTING SYSTEMS. ANY REPRODUCTION IN PART OR AS A WHOLE WITHOUT THE WRITTEN PERMISSION OF BAIRD SUPPORTING SYSTEMS IS PROHIBITED.



WWW.BAIRD MOUNTS.COM

UNLESS OTHERWISE SPECIFIED:

DIMENSIONS ARE IN INCHES
 TOLERANCES:
 FRACTIONAL ±
 ANGULAR: MACH ± BEND ±
 TWO PLACE DECIMAL ±
 THREE PLACE DECIMAL ±

DO NOT SCALE DRAWING

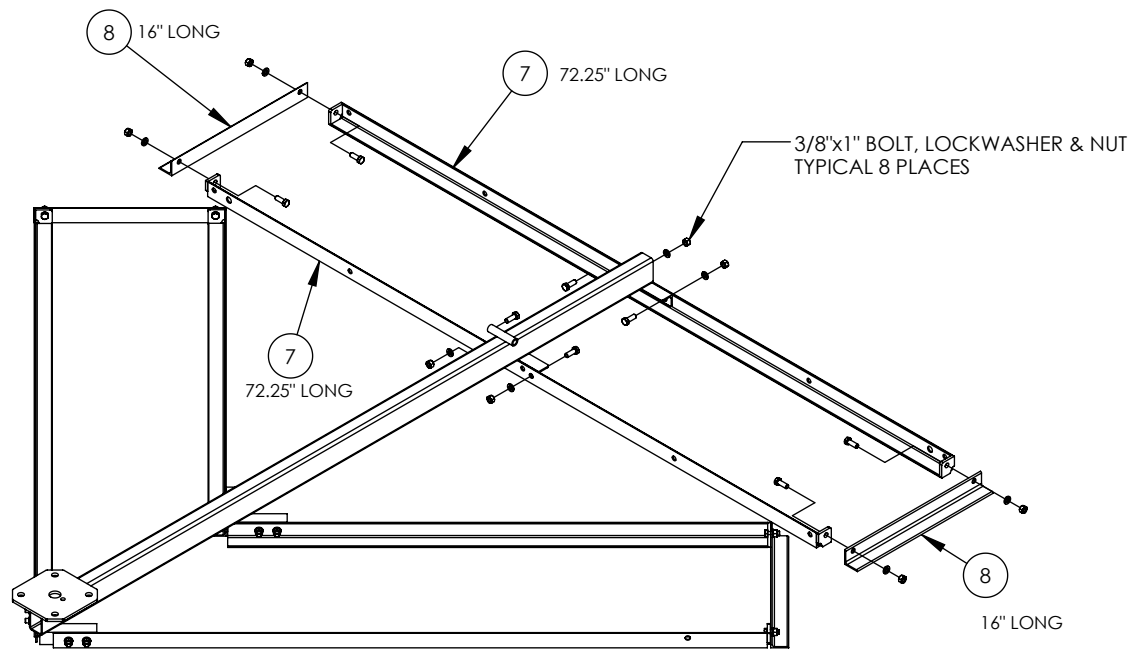
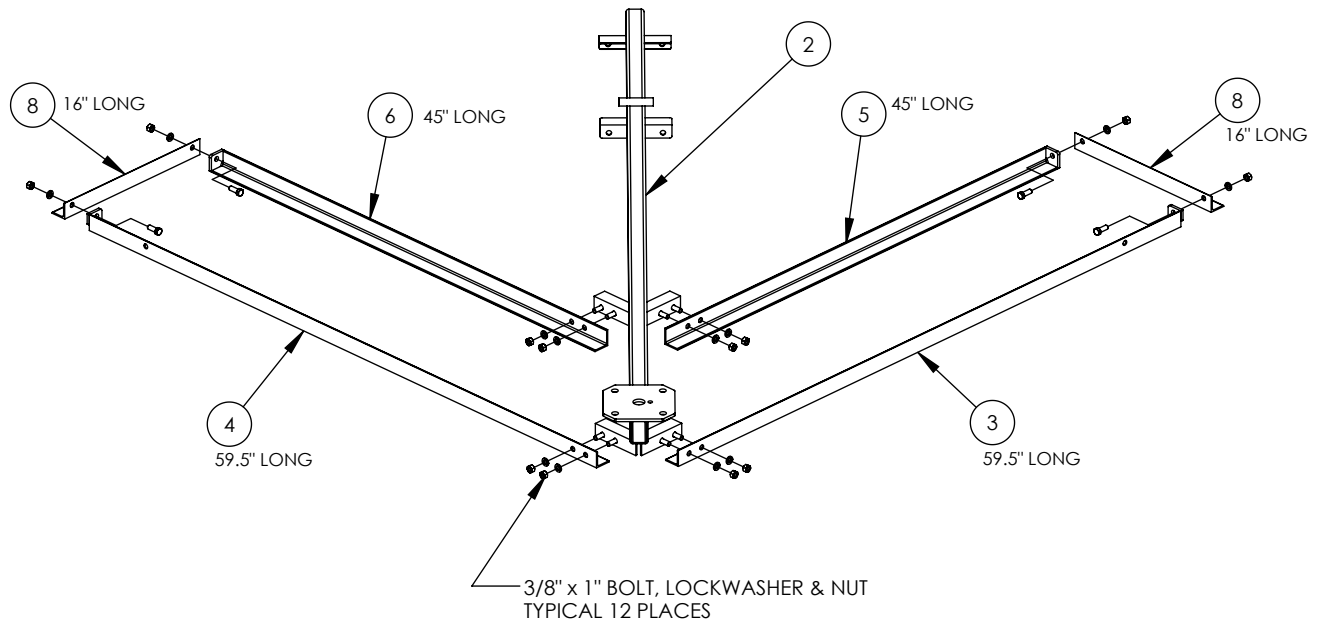
BAIRD MOUNTING SYSTEMS

CEDAR FALLS, IA 50613
 PHONE: 319-233-3561
 SALES@BAIRDMOUNTS.COM

TITLE:

CORNER CAMERA MOUNT, 2.88'OD x () MAST,
 CAMERA ARM

DRAWN BY JK	DATE 09/01/22	
MATERIAL STEEL	FINISH HDG	
DWG. PURPOSE CUSTOMER	SHEET 2	SCALE -
PART. NO. -		
DWG. NO. CCM-288X(X)-(CAXXX) INST		



LEAVE ALL HARD SNUG TIGHT UNTIL ASSEMBLY IS COMPLETE

PROPRIETARY AND CONFIDENTIAL

THE INFORMATION CONTAINED IN THIS DRAWING IS THE SOLE PROPERTY OF BAIRD SUPPORTING SYSTEMS. ANY REPRODUCTION IN PART OR AS A WHOLE WITHOUT THE WRITTEN PERMISSION OF BAIRD SUPPORTING SYSTEMS IS PROHIBITED.



WWW.BAIRD MOUNTS.COM

UNLESS OTHERWISE SPECIFIED:

DIMENSIONS ARE IN INCHES
 TOLERANCES:
 FRACTIONAL ±
 ANGULAR: MACH ± BEND ±
 TWO PLACE DECIMAL ±
 THREE PLACE DECIMAL ±

DO NOT SCALE DRAWING

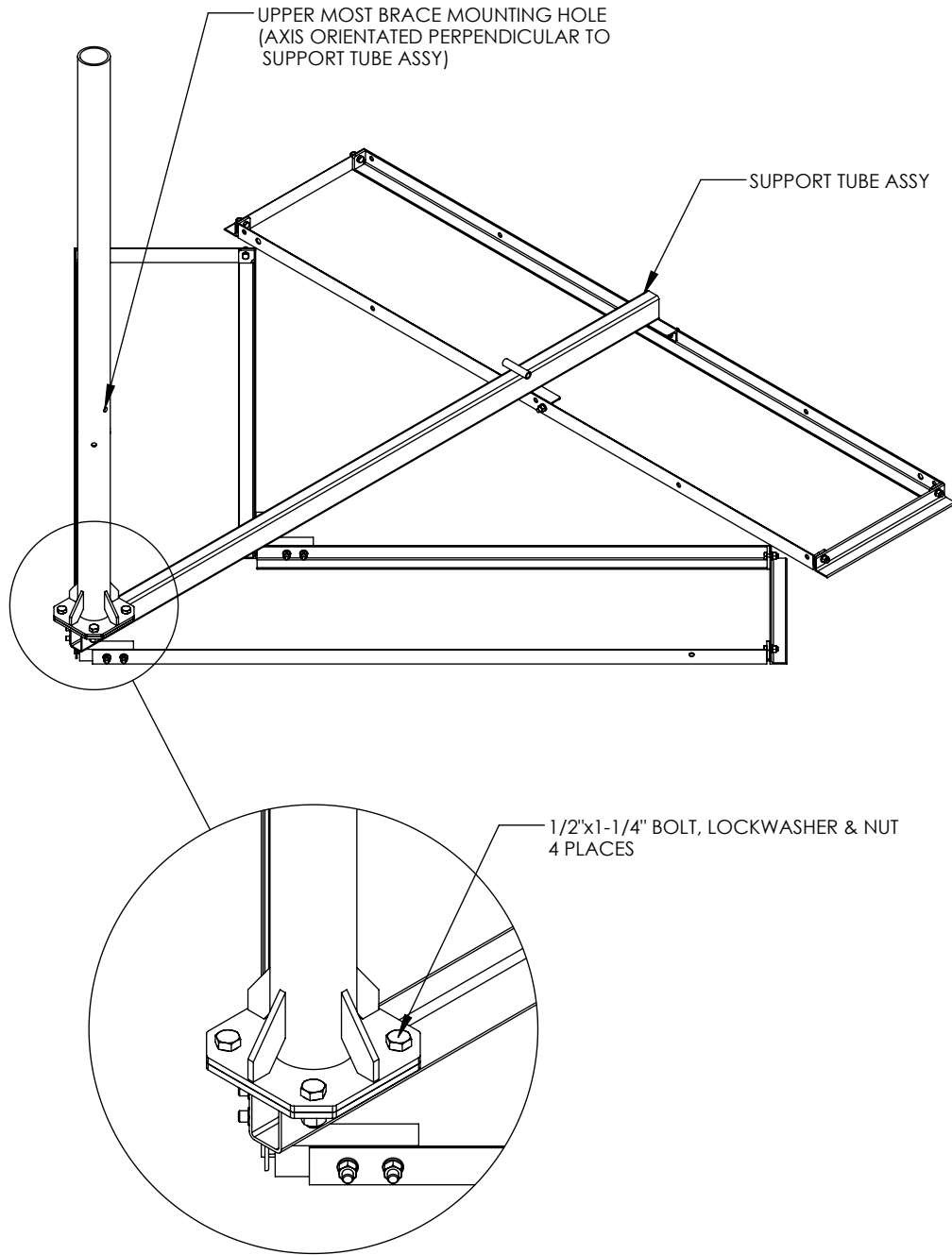
BAIRD MOUNTING SYSTEMS

CEDAR FALLS, IA 50613
 PHONE: 319-233-3561
 SALES@BAIRD MOUNTS.COM

TITLE:

CORNER CAMERA MOUNT, 2.88'OD x () MAST,
 CAMERA ARM

DRAWN BY JK	DATE 09/01/22
MATERIAL STEEL	FINISH HDG
DWG. PURPOSE CUSTOMER	SHEET 3
PART. NO. -	SCALE -
DWG. NO. CCM-288X(X)-(CAXXX) INST	



PROPRIETARY AND CONFIDENTIAL

THE INFORMATION CONTAINED IN THIS DRAWING IS THE SOLE PROPERTY OF BAIRD SUPPORTING SYSTEMS. ANY REPRODUCTION IN PART OR AS A WHOLE WITHOUT THE WRITTEN PERMISSION OF BAIRD SUPPORTING SYSTEMS IS PROHIBITED.



WWW.BAIRD MOUNTS.COM

UNLESS OTHERWISE SPECIFIED:

DIMENSIONS ARE IN INCHES
 TOLERANCES:
 FRACTIONAL ±
 ANGULAR: MACH ± BEND ±
 TWO PLACE DECIMAL ±
 THREE PLACE DECIMAL ±

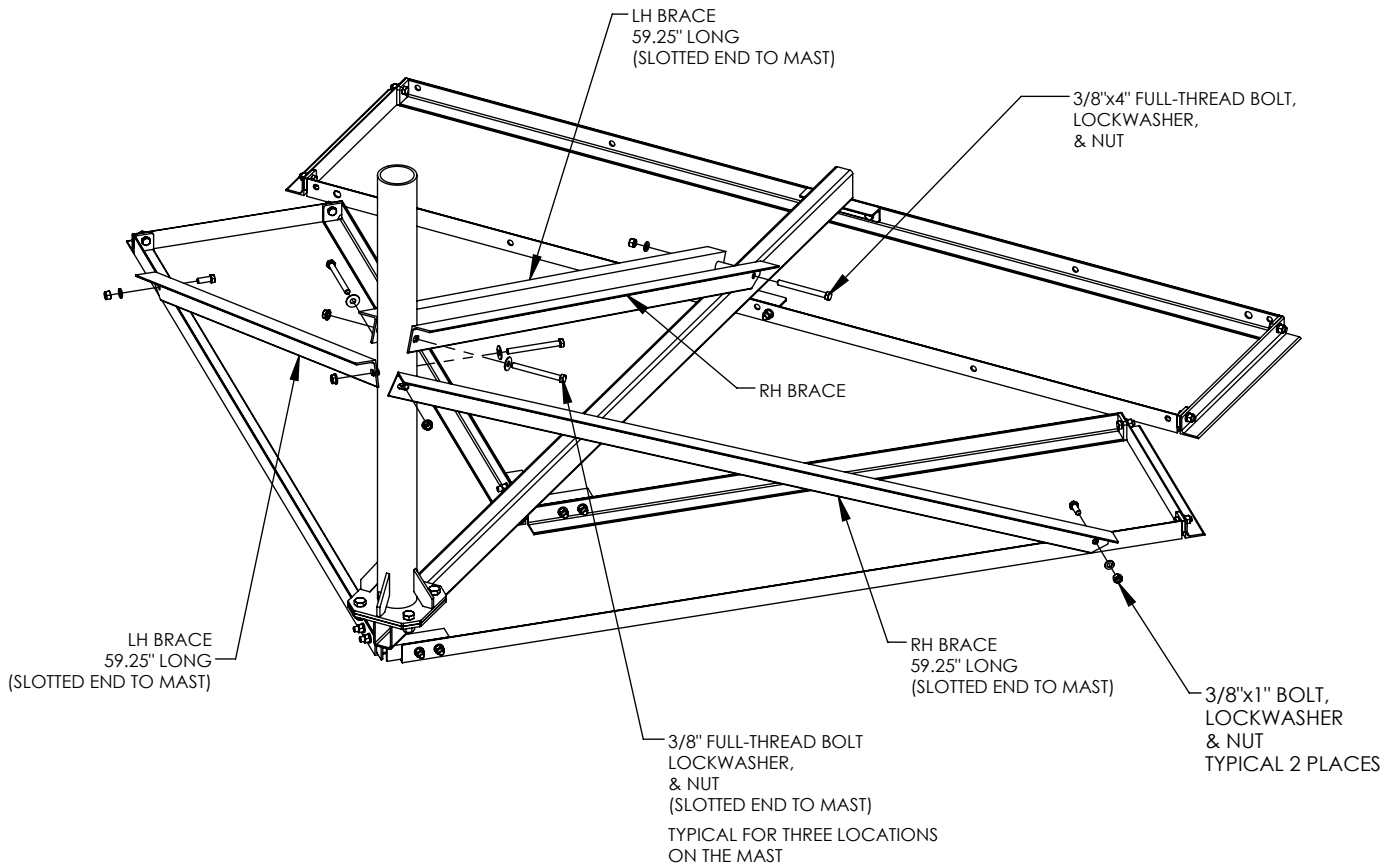
DO NOT SCALE DRAWING

BAIRD MOUNTING SYSTEMS

CEDAR FALLS, IA 50613
 PHONE: 319-233-3561
 SALES@BAIRD MOUNTS.COM

TITLE:
 CORNER CAMERA MOUNT, 2.88"OD x () MAST,
 CAMERA ARM

DRAWN BY JK	DATE 09/01/22	
MATERIAL STEEL	FINISH HDG	
DWG. PURPOSE CUSTOMER	SHEET 4	SCALE -
PART. NO. -		
DWG. NO. CCM-288X(X)-(CAXXX) INST		



***NOTES:
SLOTS IN BRACES MOUNT AT THE MAST.
USE WHIZ-LOCKNUTS(SERRATED FLANGE) OVER THE SLOTS
WHEN ATTACHING THE BRACE. TIGHTEN ALL HARDWARE

PROPRIETARY AND CONFIDENTIAL

THE INFORMATION CONTAINED IN THIS DRAWING IS THE SOLE PROPERTY OF BAIRD SUPPORTING SYSTEMS. ANY REPRODUCTION IN PART OR AS A WHOLE WITHOUT THE WRITTEN PERMISSION OF BAIRD SUPPORTING SYSTEMS IS PROHIBITED.



WWW.BAIRD MOUNTS.COM

UNLESS OTHERWISE SPECIFIED:

DIMENSIONS ARE IN INCHES
TOLERANCES:
FRACTIONAL ±
ANGULAR: MACH ± BEND ±
TWO PLACE DECIMAL ±
THREE PLACE DECIMAL ±

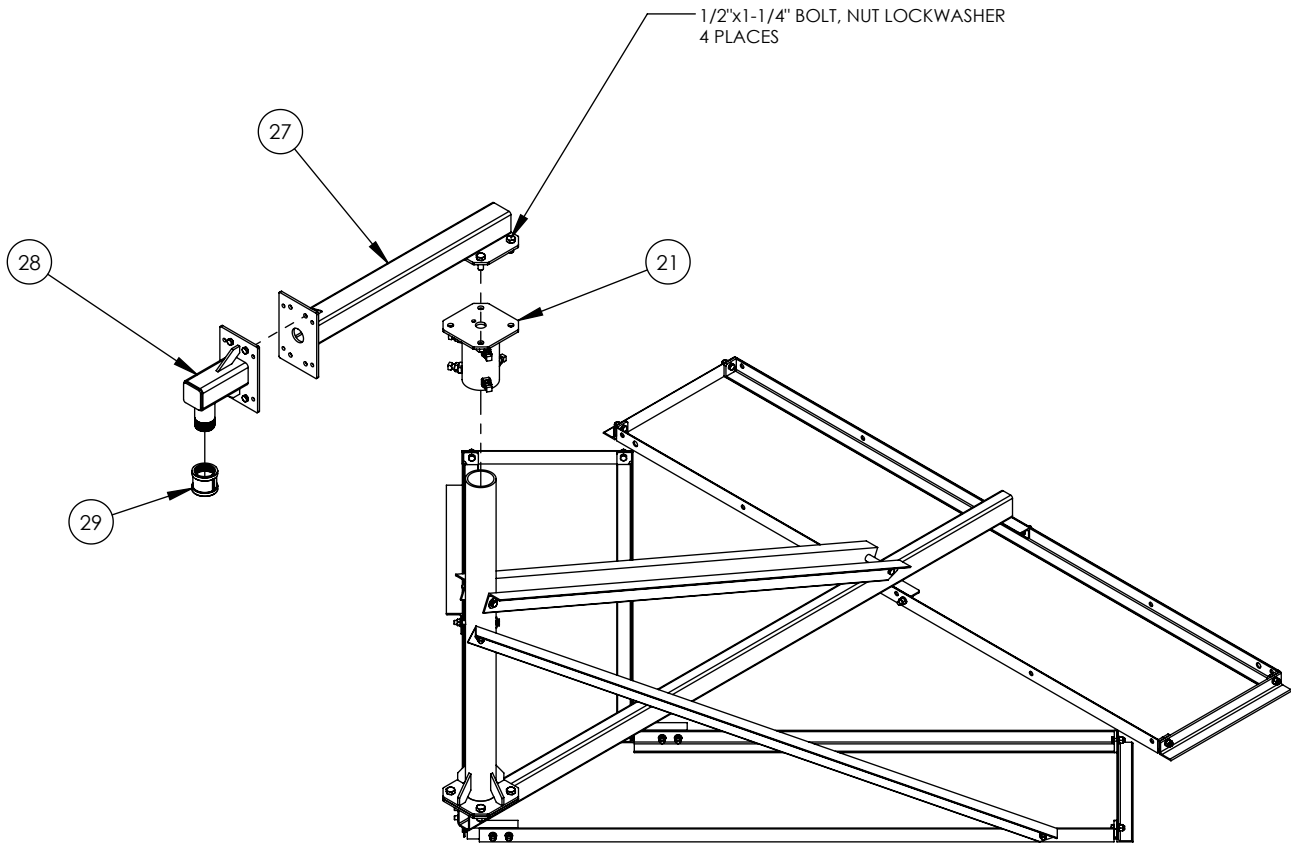
DO NOT SCALE DRAWING

BAIRD MOUNTING SYSTEMS

CEDAR FALLS, IA 50613
PHONE: 319-233-3561
SALES@BAIRD MOUNTS.COM

TITLE:
CORNER CAMERA MOUNT, 2.88"OD x () MAST,
CAMERA ARM

DRAWN BY JK	DATE 09/01/22
MATERIAL STEEL	FINISH HDG
DWG. PURPOSE CUSTOMER	SHEET 5
PART. NO. -	SCALE -
DWG. NO. CCM-288(X)-(CAXXX) INST	



CLAMP THE CAMERA ARM ADAPTER SLEEVE TO THE MAST WITH SIX SET SCREWS. THE CAMERA ARM ASSEMBLY WILL SHIP AS AN ASSEMBLED SUB ASSEMBLY AND THE CONFIGURATION MAY VARY FROM THE DRAWING SHOWN ABOVE BASED ON SPECIFIC PART NUMBER.

PROPRIETARY AND CONFIDENTIAL

THE INFORMATION CONTAINED IN THIS DRAWING IS THE SOLE PROPERTY OF BAIRD SUPPORTING SYSTEMS. ANY REPRODUCTION IN PART OR AS A WHOLE WITHOUT THE WRITTEN PERMISSION OF BAIRD SUPPORTING SYSTEMS IS PROHIBITED.



WWW.BAIRD MOUNTS.COM

UNLESS OTHERWISE SPECIFIED:

DIMENSIONS ARE IN INCHES
 TOLERANCES:
 FRACTIONAL ±
 ANGULAR: MACH ± BEND ±
 TWO PLACE DECIMAL ±
 THREE PLACE DECIMAL ±

DO NOT SCALE DRAWING

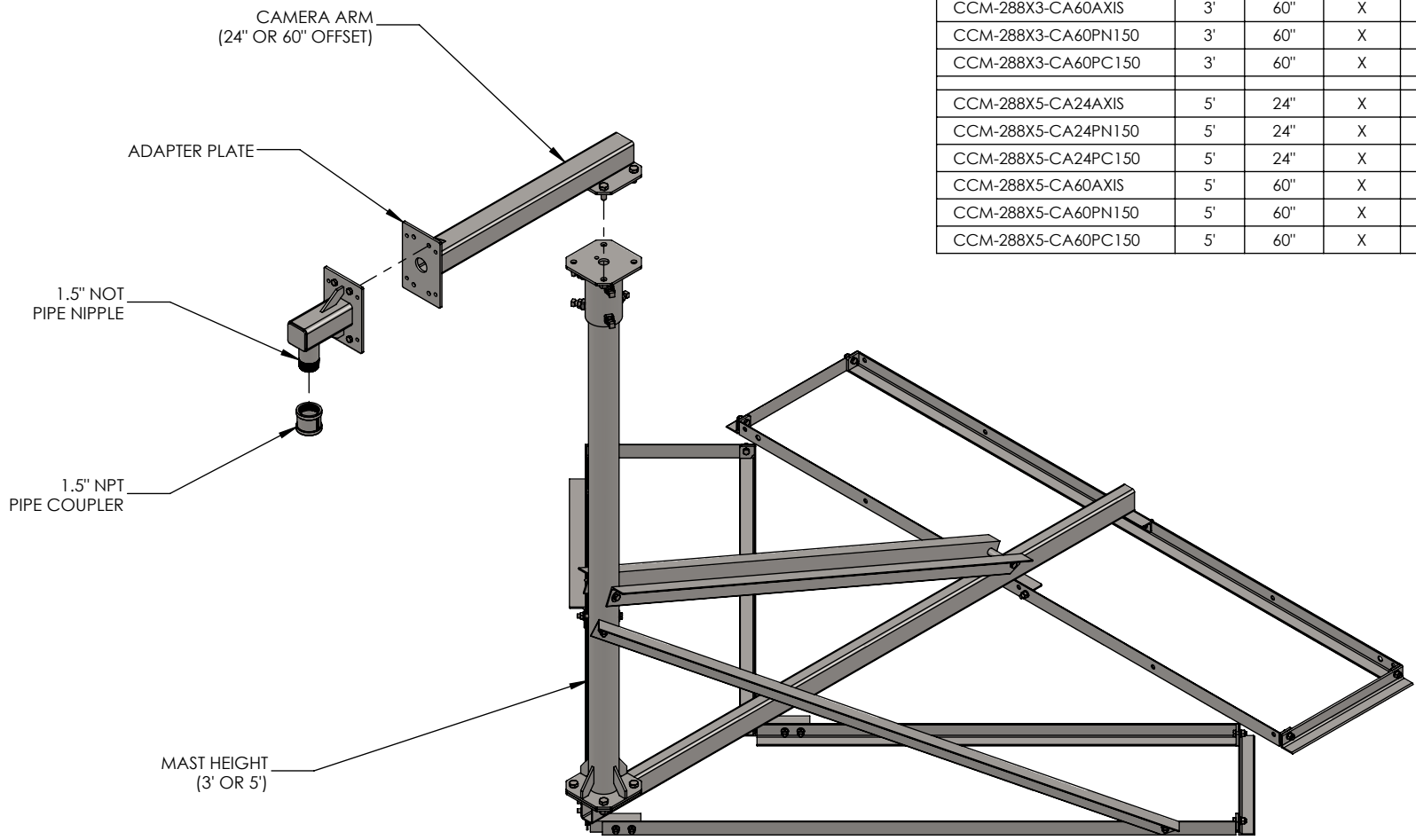
BAIRD MOUNTING SYSTEMS

CEDAR FALLS, IA 50613
 PHONE: 319-233-3561
 SALES@BAIRD MOUNTS.COM

TITLE:
 CORNER CAMERA MOUNT, 2.88'OD x () MAST,
 CAMERA ARM

DRAWN BY JK	DATE 09/01/22	
MATERIAL STEEL	FINISH HDG	
DWG. PURPOSE CUSTOMER	SHEET 6	SCALE -
PART. NO. -		
DWG. NO. CCM-288X(X)-(CAXXX) INST		

PART #	MAST HEIGHT	ARM OFFSET LENGTH	ADAPTER PLATE	1.5"NPT PIPE NIPPLE (M)	1.5"NPT PIPE COUPLER (F)	WEIGHT (LBS.)
CCM-288X3-CA24AXIS	3'	24"	X			138
CCM-288X3-CA24PN150	3'	24"	X	X		145
CCM-288X3-CA24PC150	3'	24"	X	X	X	146
CCM-288X3-CA60AXIS	3'	60"	X			160
CCM-288X3-CA60PN150	3'	60"	X	X		167
CCM-288X3-CA60PC150	3'	60"	X	X	X	168
CCM-288X5-CA24AXIS	5'	24"	X			150
CCM-288X5-CA24PN150	5'	24"	X	X		157
CCM-288X5-CA24PC150	5'	24"	X	X	X	158
CCM-288X5-CA60AXIS	5'	60"	X			172
CCM-288X5-CA60PN150	5'	60"	X	X		179
CCM-288X5-CA60PC150	5'	60"	X	X	X	180



PROPRIETARY AND CONFIDENTIAL
 THE INFORMATION CONTAINED IN THIS DRAWING IS THE SOLE PROPERTY OF BAIRD SUPPORTING SYSTEMS. ANY REPRODUCTION IN PART OR AS A WHOLE WITHOUT THE WRITTEN PERMISSION OF BAIRD SUPPORTING SYSTEMS IS PROHIBITED.



WWW.BAIRD MOUNTS.COM

UNLESS OTHERWISE SPECIFIED:
 DIMENSIONS ARE IN INCHES
 TOLERANCES:
 FRACTIONAL ±
 ANGULAR: MACH ± BEND ±
 TWO PLACE DECIMAL ±
 THREE PLACE DECIMAL ±

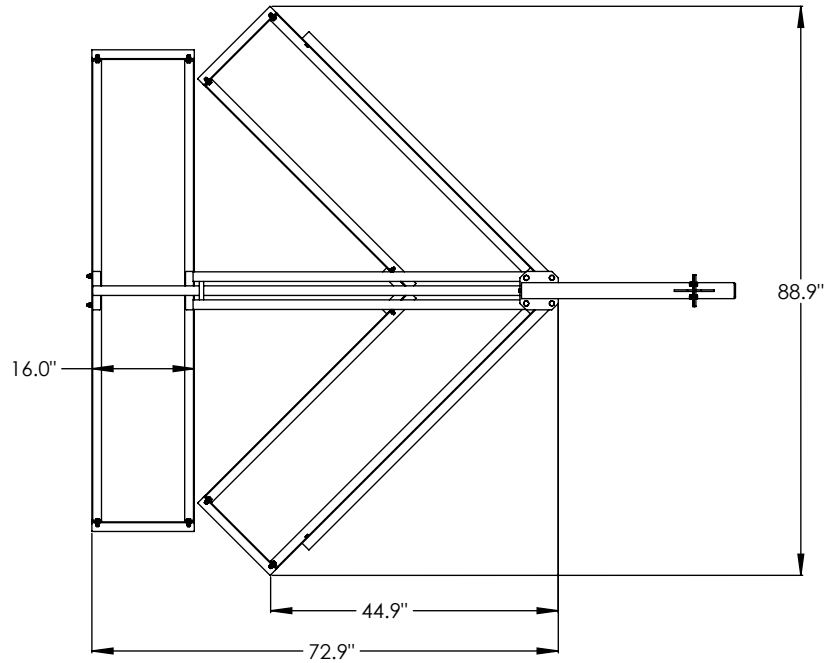
DO NOT SCALE DRAWING

BAIRD MOUNTING SYSTEMS

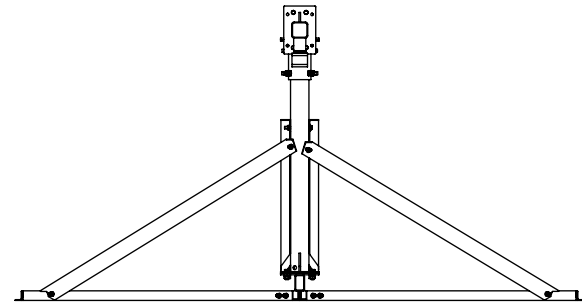
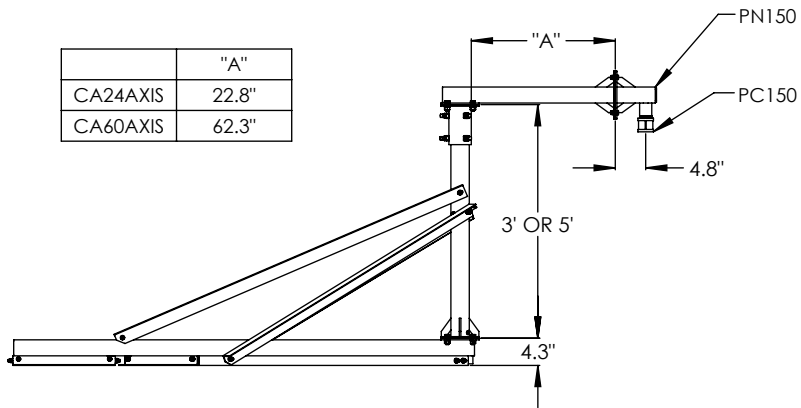
WATERLOO, IA 50703
 PHONE: 319-233-3561
 SALES@BAIRD MOUNTS.COM

TITLE:
 CORNER CAMERA MOUNT

DRAWN BY JK	DATE 02/25/22
MATERIAL STEEL	FINISH HDG
DWG. PURPOSE CUSTOMER	SHEET 10F4
SCALE -	
PART. NO. SEE TABLE ABOVE	
DWG. NO. CCM-288X(0)-(000)	



	"A"
CA24AXIS	22.8"
CA60AXIS	62.3"



PROPRIETARY AND CONFIDENTIAL
 THE INFORMATION CONTAINED IN THIS DRAWING IS THE SOLE PROPERTY OF BAIRD SUPPORTING SYSTEMS. ANY REPRODUCTION IN PART OR AS A WHOLE WITHOUT THE WRITTEN PERMISSION OF BAIRD SUPPORTING SYSTEMS IS PROHIBITED.



WWW.BAIRD MOUNTS.COM

UNLESS OTHERWISE SPECIFIED:
 DIMENSIONS ARE IN INCHES
 TOLERANCES:
 FRACTIONAL ±
 ANGULAR: MACH ± BEND ±
 TWO PLACE DECIMAL ±
 THREE PLACE DECIMAL ±

DO NOT SCALE DRAWING

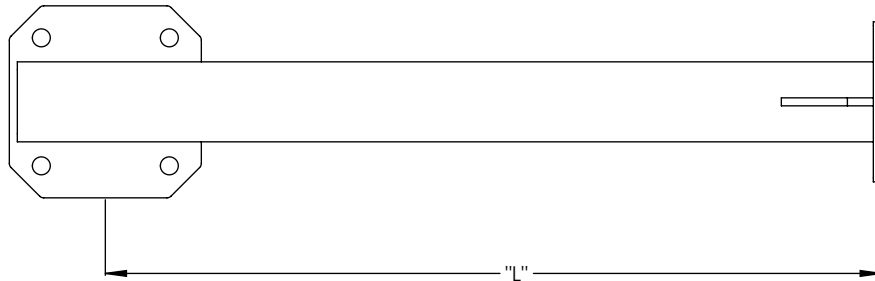
BAIRD MOUNTING SYSTEMS

WATERLOO, IA 50703
 PHONE: 319-233-3561
 SALES@BAIRDMOUNTS.COM

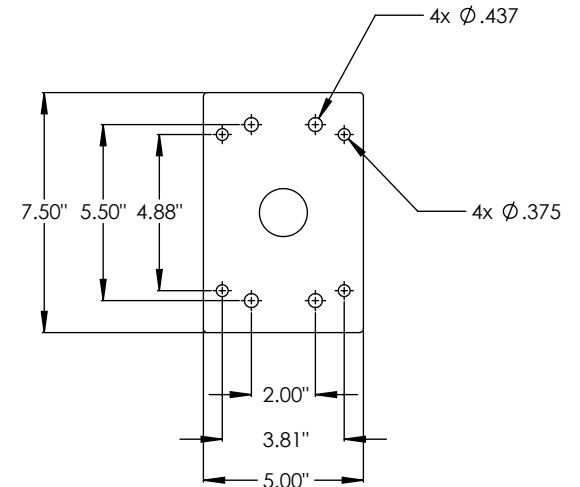
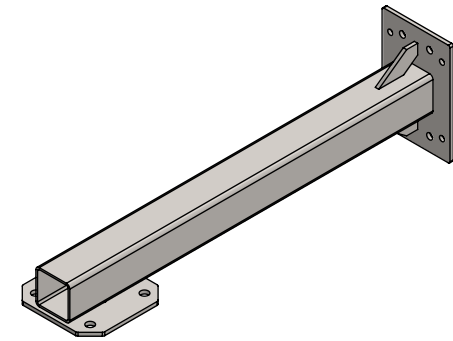
TITLE:
 CORNER CAMERA MOUNT

DRAWN BY JK	DATE 02/25/22
MATERIAL STEEL	FINISH HDG
DWG. PURPOSE CUSTOMER	SHEET 2OF4
	SCALE -

PART. NO.
 SEE TABLE ON PAGE 1
 DWG. NO.
 CCM-288X(0)-(0000)



MAST
CENTERLINE



CAMERA ARM-AXIS	
	"L"
CA24AXIS	24.25"
CA60AXIS	63.75"

PROPRIETARY AND CONFIDENTIAL
THE INFORMATION CONTAINED IN THIS DRAWING IS THE SOLE PROPERTY OF BAIRD SUPPORTING SYSTEMS. ANY REPRODUCTION IN PART OR AS A WHOLE WITHOUT THE WRITTEN PERMISSION OF BAIRD SUPPORTING SYSTEMS IS PROHIBITED.



WWW.BAIRD MOUNTS.COM

UNLESS OTHERWISE SPECIFIED:
DIMENSIONS ARE IN INCHES
TOLERANCES:
FRACTIONAL ±
ANGULAR: MACH ± BEND ±
TWO PLACE DECIMAL ±
THREE PLACE DECIMAL ±

DO NOT SCALE DRAWING

BAIRD MOUNTING SYSTEMS

WATERLOO, IA 50703
PHONE: 319-233-3561
SALES@BAIRD MOUNTS.COM

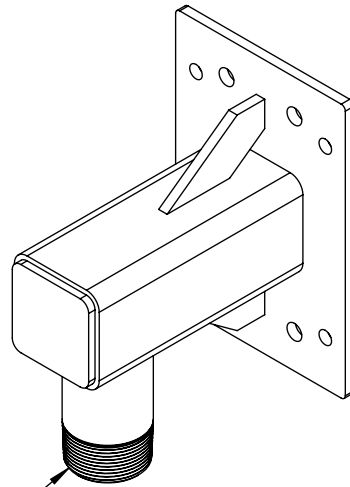
TITLE:
CORNER CAMERA MOUNT

DRAWN BY: JK
DATE: 02/25/22

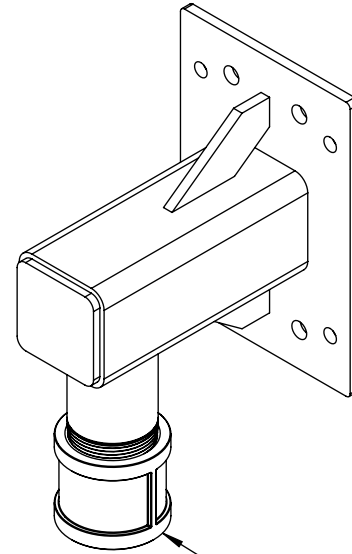
MATERIAL: STEEL
FINISH: HDG

DWG. PURPOSE: CUSTOMER
SHEET: 3OF4
SCALE: -

PART. NO.: -
DWG. NO.: CCM-288X(0)-(0000)



1.5" NPT PIPE NIPPLE



1.5" NPT PIPE COUPLER

ADAPTER-1.5NPT	
PART#	
PN150	1.5"NPT PIPE NIPPLE
PC150	1.5"NPT PIPE COUPLER

PROPRIETARY AND CONFIDENTIAL
 THE INFORMATION CONTAINED IN THIS DRAWING IS THE SOLE PROPERTY OF BAIRD SUPPORTING SYSTEMS. ANY REPRODUCTION IN PART OR AS A WHOLE WITHOUT THE WRITTEN PERMISSION OF BAIRD SUPPORTING SYSTEMS IS PROHIBITED.



WWW.BAIRD MOUNTS.COM

UNLESS OTHERWISE SPECIFIED:
 DIMENSIONS ARE IN INCHES
 TOLERANCES:
 FRACTIONAL ±
 ANGULAR: MACH ± BEND ±
 TWO PLACE DECIMAL ±
 THREE PLACE DECIMAL ±

DO NOT SCALE DRAWING

BAIRD MOUNTING SYSTEMS

WATERLOO, IA 50703
 PHONE: 319-233-3561
 SALES@BAIRD MOUNTS.COM

TITLE:
 CORNER CAMERA MOUNT

DRAWN BY: JK DATE: 02/25/22

MATERIAL: STEEL FINISH: HDG

DWG. PURPOSE: CUSTOMER SHEET: 4OF4 SCALE: -

PART. NO.:

-
 DWG. NO.: CCM-288X(0)-(0000)