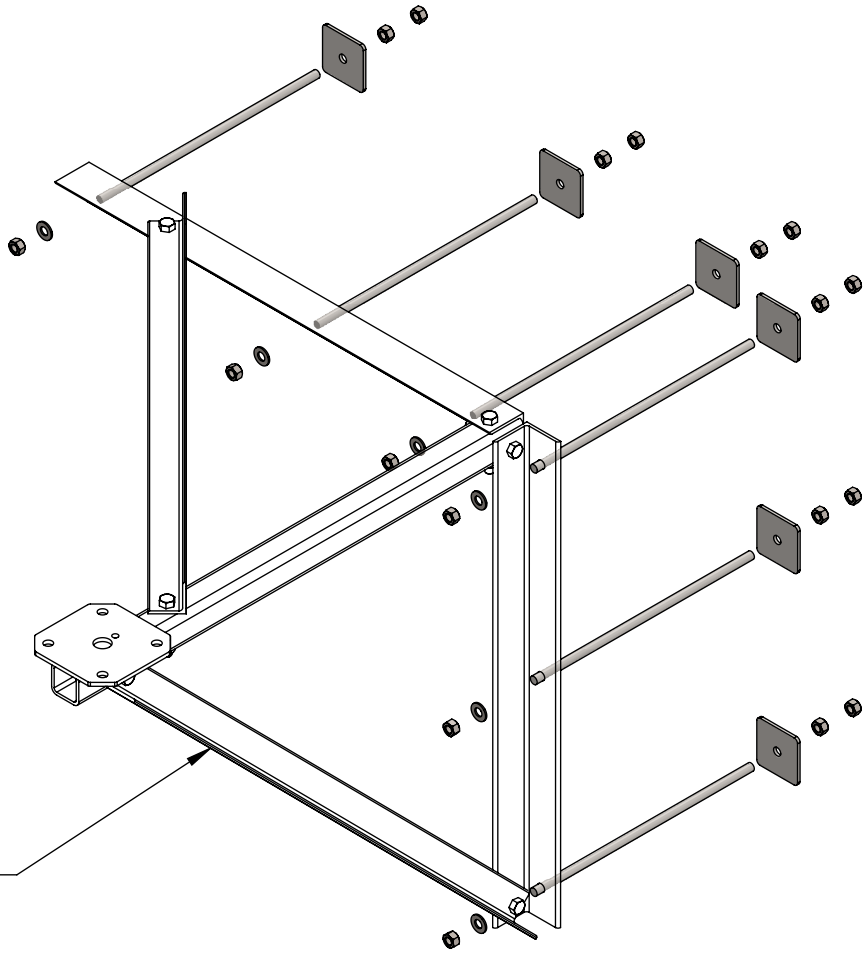


PART NO.	DESCRIPTION	WEIGHT
WL4-MK	WL4 THRU-WALL MOUNTING KIT	10 lbs. [4.5kg]



KIT CONSISTS OF		
ITEM PART NO.	DESCRIPTION	QTY.
.50TRODA449HDG	1/2"x16" THRD. ROD A449, HDG	6
H3-0500FWHDG	1/2" FLATWASHER, HDG	6
H2-0500HN2HHDG	1/2" HVY NUT 2H, HDG	24
AB1325BHD	3"x3" PLATE WASHERS, HDG	6

WL4 MOUNT
SHOWN FOR
REFERENCE ONLY

PROPRIETARY AND CONFIDENTIAL
THE INFORMATION CONTAINED IN THIS DRAWING IS THE SOLE PROPERTY OF BAIRD SUPPORTING SYSTEMS. ANY REPRODUCTION IN PART OR AS A WHOLE WITHOUT THE WRITTEN PERMISSION OF BAIRD SUPPORTING SYSTEMS IS PROHIBITED.



WWW.BAIRD MOUNTS.COM

UNLESS OTHERWISE SPECIFIED:
DIMENSIONS ARE IN INCHES
TOLERANCES:
FRACTIONAL ±
ANGULAR: MACH ± BEND ±
TWO PLACE DECIMAL ±
THREE PLACE DECIMAL ±
DO NOT SCALE DRAWING

BAIRD MOUNTING SYSTEMS
WATERLOO, IA 50703
PHONE: 319-233-3561
SALES@BAIRD MOUNTS.COM

DESCRIPTION:
WL-4 THRU-WALL MOUNTING KIT

DRAWN BY JK	DATE 05/31/13
MATERIAL STEEL	FINISH HDG
DWG. PURPOSE CUSTOMER	SHEET 1 OF 1
SCALE -	
PART. NO. WL-4-MK	
DWG. NO. WL4-MK	