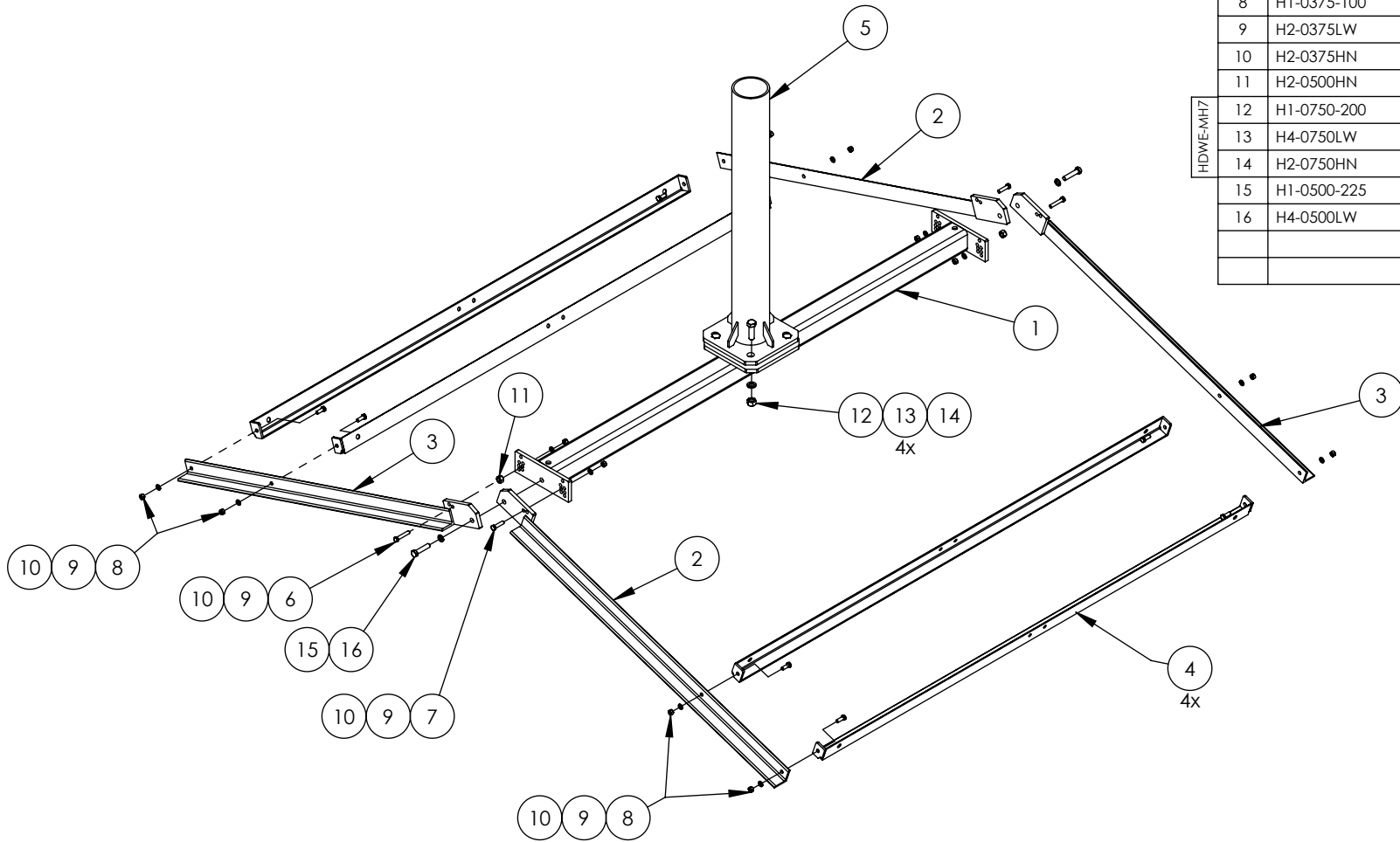


SYM	PART#	DESCRIPTION	QTY
1	AB1434(9)HD	URM CROSS ARM, HDG	1
2	AB1430HD	URM LH ARM, HDG	2
3	AB1431HD	URM RH ARM, HDG	2
4	AB1119BHD	6' BALLAST ANGLE, HDG	4
5	as req'd	MAST (O.D. & Length as req'd)	1
6	H1-0375-150	3/8"x1-1/2" BOLT GR.5, Z/P	2
7	H1-0375-200GR5	3/8"x2" BOLT GR.5, Z/P	2
8	H1-0375-100	3/8"x1" BOLT GR.5, Z/P	8
9	H2-0375LW	3/8" SPLIT LOCKWASHER, Z/P	12
10	H2-0375HN	3/8" NUT, Z/P	12
11	H2-0500HN	1/2" NUT, Z/P (used as spacer)	2
12	H1-0750-200	3/4" x 2" BOLT GR.5, Z/P	4
13	H4-0750LW	3/4" SPLIT LOCKWASHER, Z/P	4
14	H2-0750HN	3/4" NUT, Z/P	4
15	H1-0500-225	1/2" x 2-1/4" BOLT GR.5, Z/P	2
16	H4-0500LW	1/2" SPLIT LOCKWASHER, Z/P	2
		1/8" RUBBER MAT 18"x48"	6



HDWE-MH7

PROPRIETARY AND CONFIDENTIAL
 THE INFORMATION CONTAINED IN THIS DRAWING IS THE SOLE PROPERTY OF BAIRD SUPPORTING SYSTEMS. ANY REPRODUCTION IN PART OR AS A WHOLE WITHOUT THE WRITTEN PERMISSION OF BAIRD SUPPORTING SYSTEMS IS PROHIBITED.



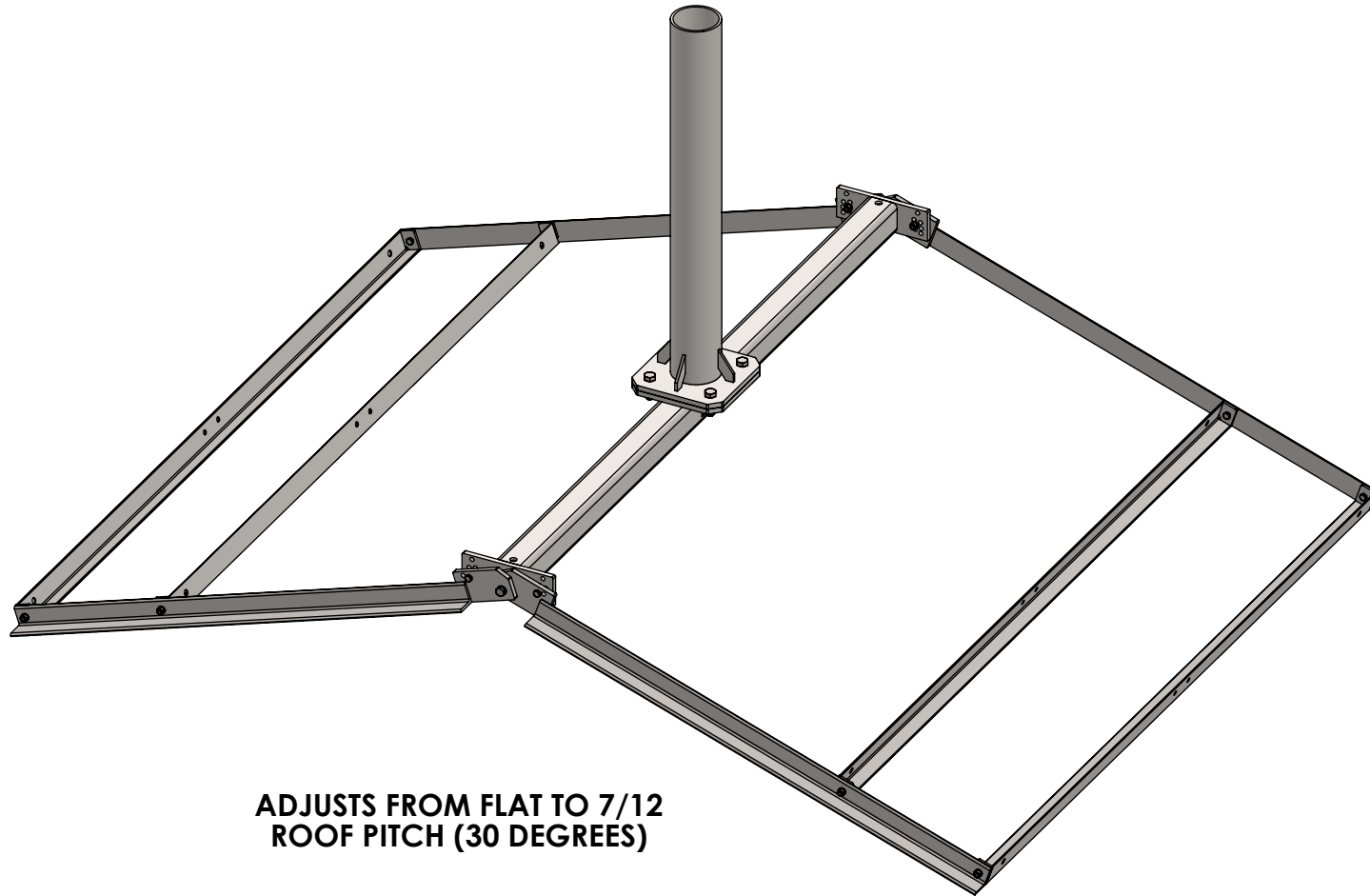
UNLESS OTHERWISE SPECIFIED:
 DIMENSIONS ARE IN INCHES
 TOLERANCES:
 FRACTIONAL ±
 ANGULAR: MACH ± BEND ±
 TWO PLACE DECIMAL ±
 THREE PLACE DECIMAL ±
 DO NOT SCALE DRAWING

BAIRD MOUNTING SYSTEMS
 WATERLOO, IA 50703
 PHONE: 319-233-3561
 SALES@BAIRDMOUNTS.COM

TITLE:
 Universal Ridgemount w/Pad

DRAWN BY JK	DATE 10/03/18
MATERIAL STEEL	FINISH HDG
DWG. PURPOSE INST	SHEET 1
SCALE -	
PART. NO. UR-(000)X(0)-R Assembly Instructions	
DWG. NO. UR-(000)X(0)-R Assembly Instructions	

PART NO.	MAST DIAMETER	WEIGHT
UR-288X3	2.88"OD	211 lbs.
UR-400X3	4"OD	222 lbs.
UR-450X3	4.5"OD	227 lbs.



**ADJUSTS FROM FLAT TO 7/12
ROOF PITCH (30 DEGREES)**

PROPRIETARY AND CONFIDENTIAL

THE INFORMATION CONTAINED IN THIS DRAWING IS THE SOLE PROPERTY OF BAIRD SUPPORTING SYSTEMS. ANY REPRODUCTION IN PART OR AS A WHOLE WITHOUT THE WRITTEN PERMISSION OF BAIRD SUPPORTING SYSTEMS IS PROHIBITED.



WWW.BAIRD MOUNTS.COM

UNLESS OTHERWISE SPECIFIED:

DIMENSIONS ARE IN INCHES
TOLERANCES:
FRACTIONAL ±
ANGULAR: MACH ± BEND ±
TWO PLACE DECIMAL ±
THREE PLACE DECIMAL ±

DO NOT SCALE DRAWING

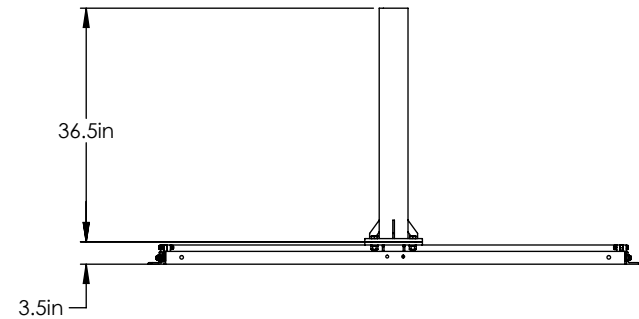
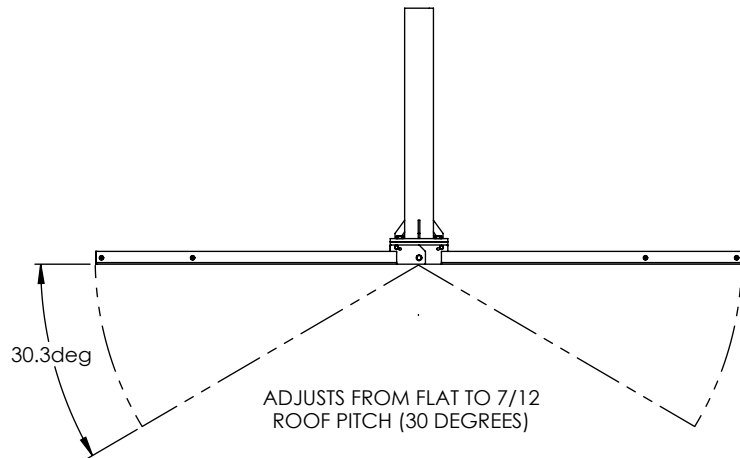
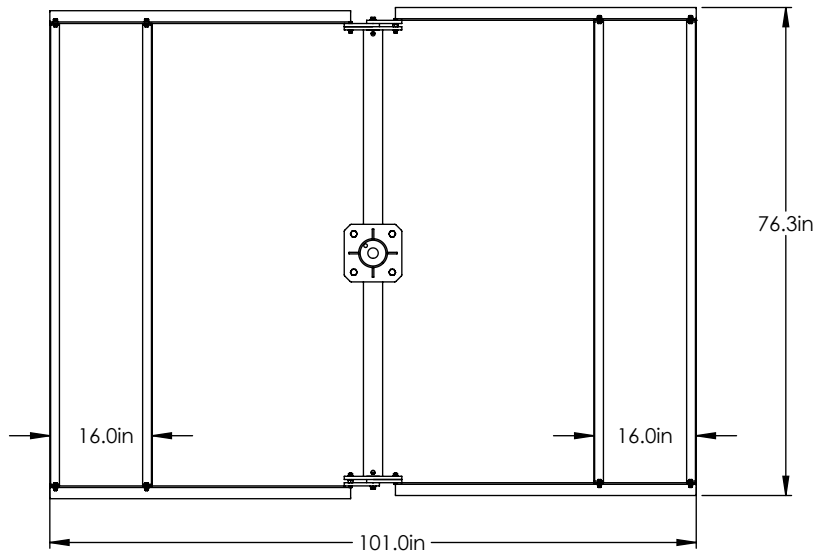
BAIRD MOUNTING SYSTEMS

WATERLOO, IA 50703
PHONE: 319-233-3561
SALES@BAIRD MOUNTS.COM

DESCRIPTION:

UNIVERSAL RIDGEMOUNT (UR) WITH 3' MAST

DRAWN BY JK	DATE 06/14/13	
MATERIAL STEEL	FINISH HDG	
DWG. PURPOSE CUSTOMER	SHEET 1OF2	SCALE -
PART. NO. SEE TABLE		
DWG. NO. UR-(000)X3		



PROPRIETARY AND CONFIDENTIAL

THE INFORMATION CONTAINED IN THIS DRAWING IS THE SOLE PROPERTY OF BAIRD SUPPORTING SYSTEMS. ANY REPRODUCTION IN PART OR AS A WHOLE WITHOUT THE WRITTEN PERMISSION OF BAIRD SUPPORTING SYSTEMS IS PROHIBITED.



WWW.BAIRD MOUNTS.COM

UNLESS OTHERWISE SPECIFIED:

DIMENSIONS ARE IN INCHES
TOLERANCES:
FRACTIONAL ±
ANGULAR: MACH ± BEND ±
TWO PLACE DECIMAL ±
THREE PLACE DECIMAL ±

DO NOT SCALE DRAWING

BAIRD MOUNTING SYSTEMS

WATERLOO, IA 50703
PHONE: 319-233-3561
SALES@BAIRDMOUNTS.COM

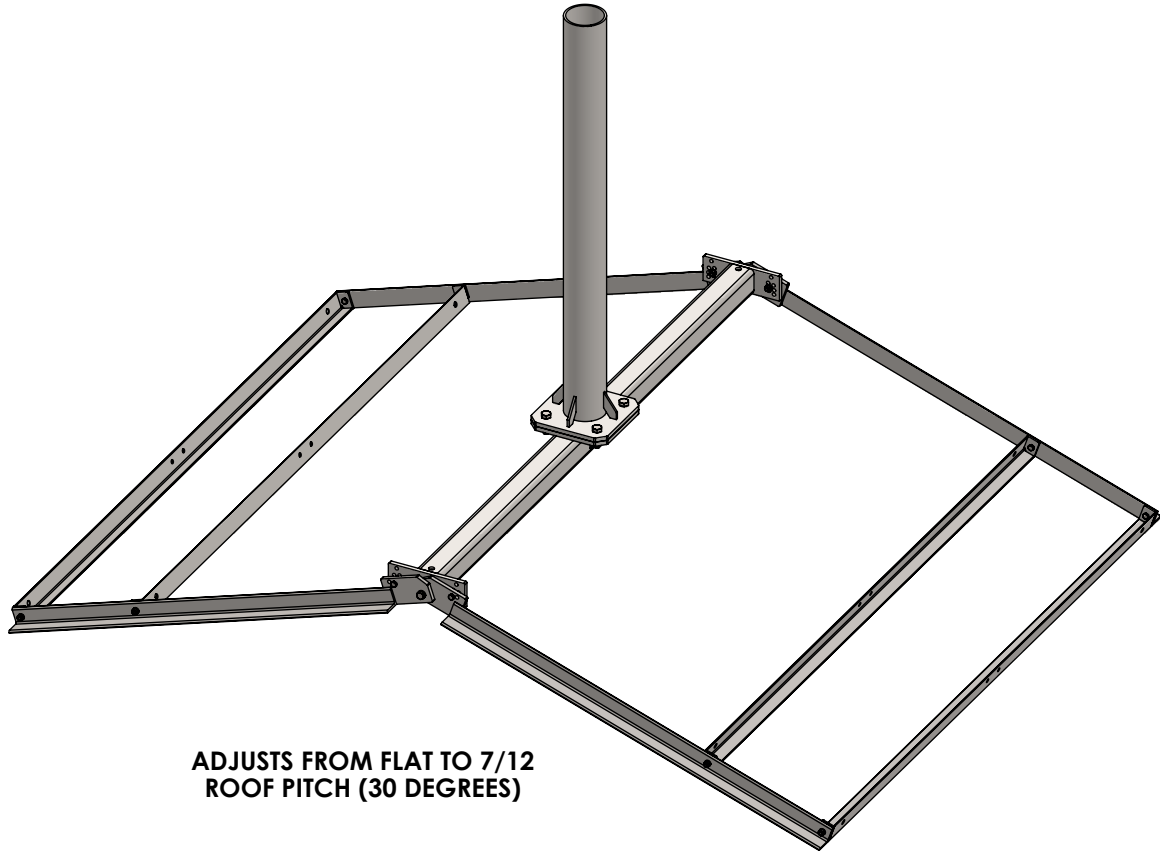
DESCRIPTION:
UNIVERSAL RIDGEMOUNT (UR) WITH 3' MAST

DRAWN BY JK	DATE 06/14/13
MATERIAL STEEL	FINISH HDG
DWG. PURPOSE CUSTOMER	SHEET 2 OF 2
	SCALE -

PART. NO.
SEE TABLE- SHEET 1

DWG. NO.
UR-(000)X3

PART NO.	MAST DIAMETER	WEIGHT
UR-400X4	4"OD	232 lbs.
UR-450X4	4.5"OD	238 lbs.
UR-556X4	5.56"OD	254 lbs.



**ADJUSTS FROM FLAT TO 7/12
ROOF PITCH (30 DEGREES)**

PROPRIETARY AND CONFIDENTIAL

THE INFORMATION CONTAINED IN THIS DRAWING IS THE SOLE PROPERTY OF BAIRD SUPPORTING SYSTEMS. ANY REPRODUCTION IN PART OR AS A WHOLE WITHOUT THE WRITTEN PERMISSION OF BAIRD SUPPORTING SYSTEMS IS PROHIBITED.



WWW.BAIRD MOUNTS.COM

UNLESS OTHERWISE SPECIFIED:

DIMENSIONS ARE IN INCHES
TOLERANCES:
FRACTIONAL ±
ANGULAR: MACH ± BEND ±
TWO PLACE DECIMAL ±
THREE PLACE DECIMAL ±

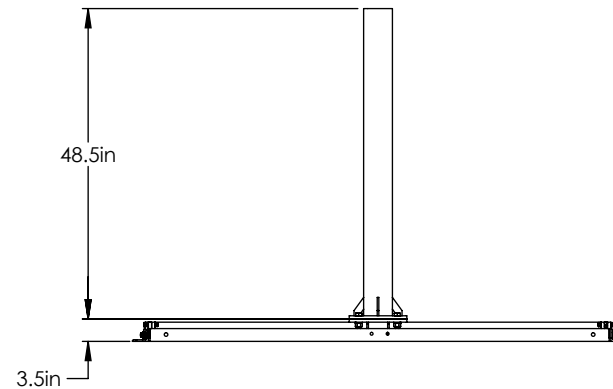
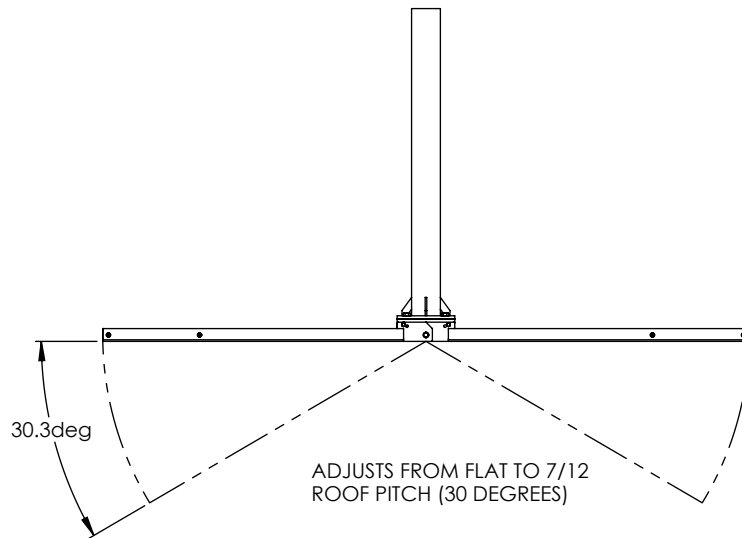
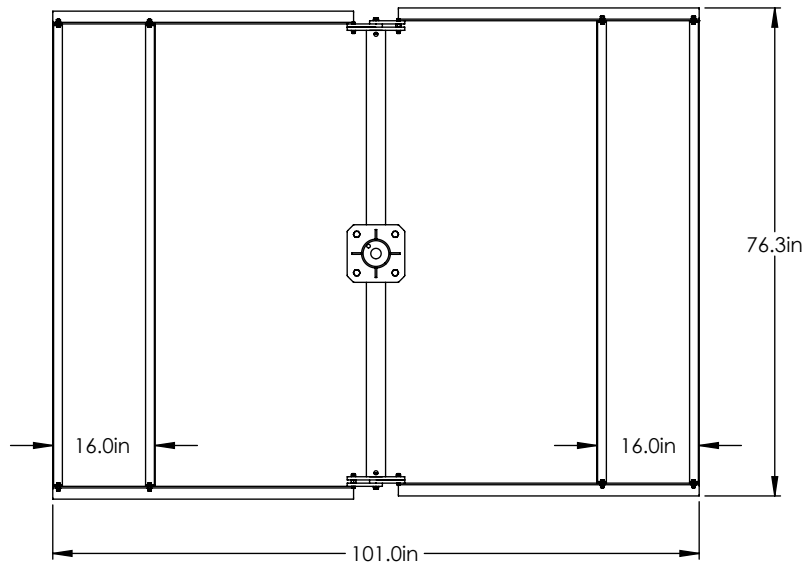
DO NOT SCALE DRAWING

BAIRD MOUNTING SYSTEMS

WATERLOO, IA 50703
PHONE: 319-233-3561
SALES@BAIRD MOUNTS.COM

DESCRIPTION:
UNIVERSAL RIDGEMOUNT (UR) WITH 4' MAST

DRAWN BY JK	DATE 06/15/13	
MATERIAL STEEL	FINISH HDG	
DWG. PURPOSE CUSTOMER	SHEET 1OF2	SCALE -
PART. NO. SEE TABLE		
DWG. NO. UR-(000)X4		



PROPRIETARY AND CONFIDENTIAL
 THE INFORMATION CONTAINED IN THIS DRAWING IS THE SOLE PROPERTY OF BAIRD SUPPORTING SYSTEMS. ANY REPRODUCTION IN PART OR AS A WHOLE WITHOUT THE WRITTEN PERMISSION OF BAIRD SUPPORTING SYSTEMS IS PROHIBITED.



WWW.BAIRD MOUNTS.COM

UNLESS OTHERWISE SPECIFIED:
 DIMENSIONS ARE IN INCHES
 TOLERANCES:
 FRACTIONAL ±
 TWO PLACE DECIMAL ±
 THREE PLACE DECIMAL ±
 ANGULAR: MACH ± BEND ±

DO NOT SCALE DRAWING

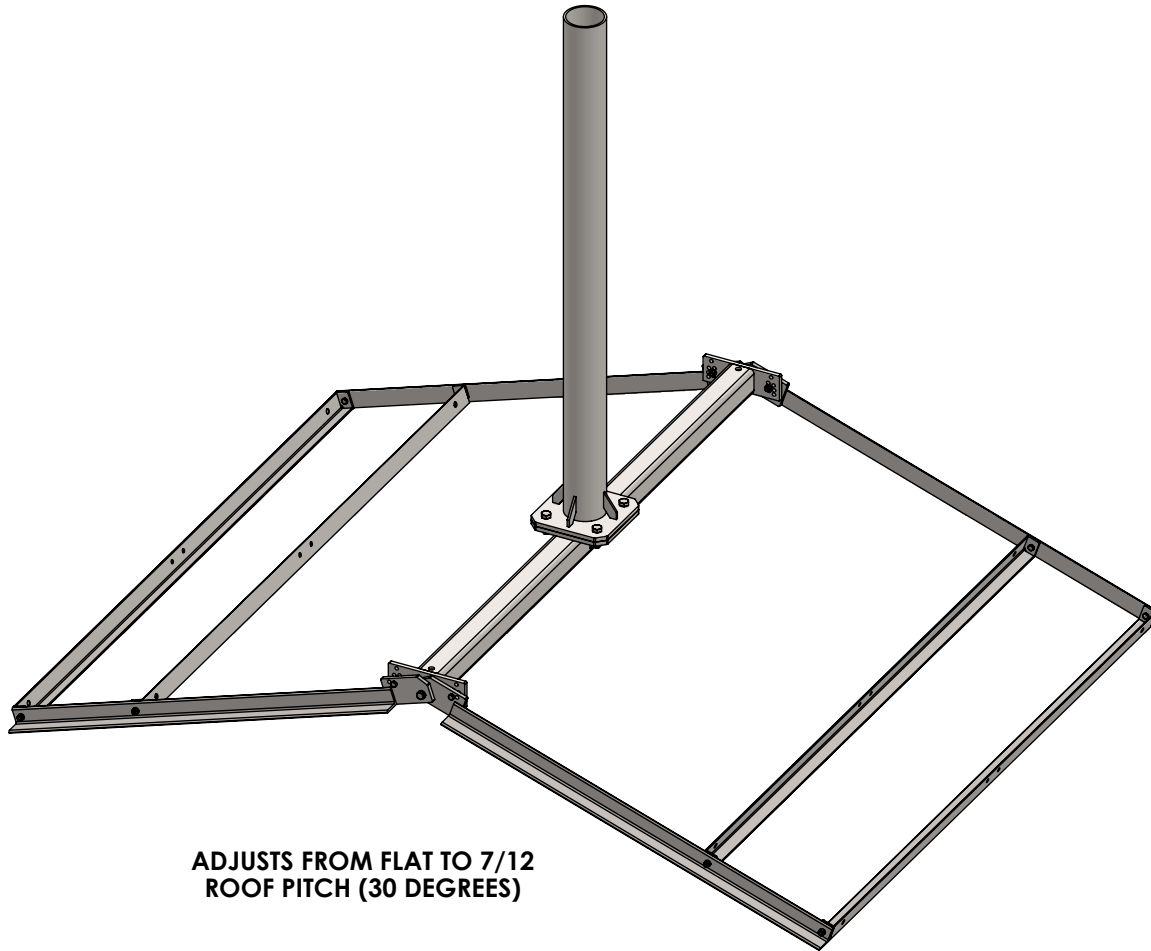
BAIRD MOUNTING SYSTEMS

WATERLOO, IA 50703
 PHONE: 319-233-3561
 SALES@BAIRD MOUNTS.COM

DESCRIPTION:
 UNIVERSAL RIDGEMOUNT (UR) WITH 4' MAST

DRAWN BY JK	DATE 06/15/13	
MATERIAL STEEL	FINISH HDG	
DWG. PURPOSE CUSTOMER	SHEET 2 OF 2	SCALE -
PART. NO. SEE TABLE- SHEET 1		
DWG. NO. UR-(000)X4		

PART NO.	MAST DIAMETER	WEIGHT
UR-237X5	2.37"OD	211 lbs.
UR-288X5	2.88"OD	223 lbs.
UR-450X5	4.5"OD	250 lbs.



**ADJUSTS FROM FLAT TO 7/12
ROOF PITCH (30 DEGREES)**

PROPRIETARY AND CONFIDENTIAL
THE INFORMATION CONTAINED IN THIS DRAWING IS THE SOLE PROPERTY OF BAIRD SUPPORTING SYSTEMS. ANY REPRODUCTION IN PART OR AS A WHOLE WITHOUT THE WRITTEN PERMISSION OF BAIRD SUPPORTING SYSTEMS IS PROHIBITED.



WWW.BAIRD MOUNTS.COM

UNLESS OTHERWISE SPECIFIED:
DIMENSIONS ARE IN INCHES
TOLERANCES:
FRACTIONAL ±
ANGULAR: MACH ± BEND ±
TWO PLACE DECIMAL ±
THREE PLACE DECIMAL ±

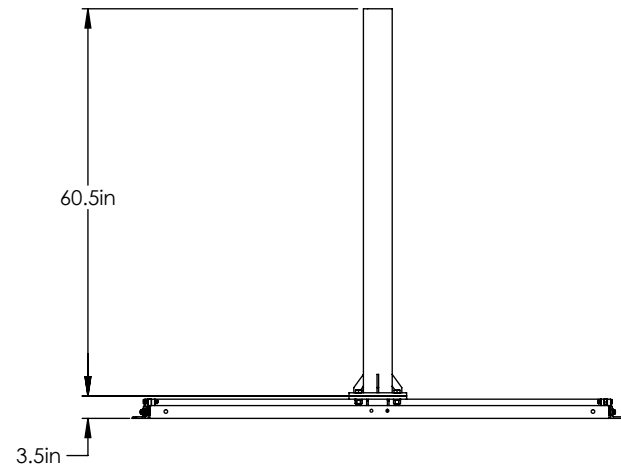
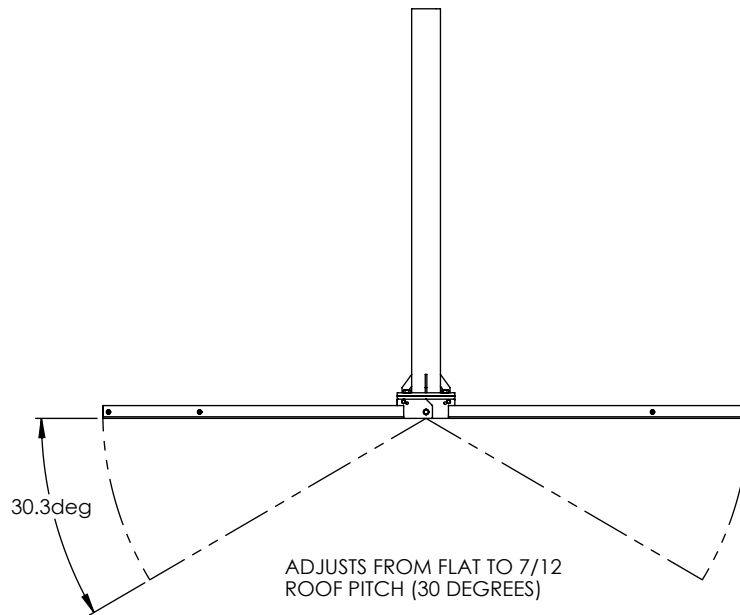
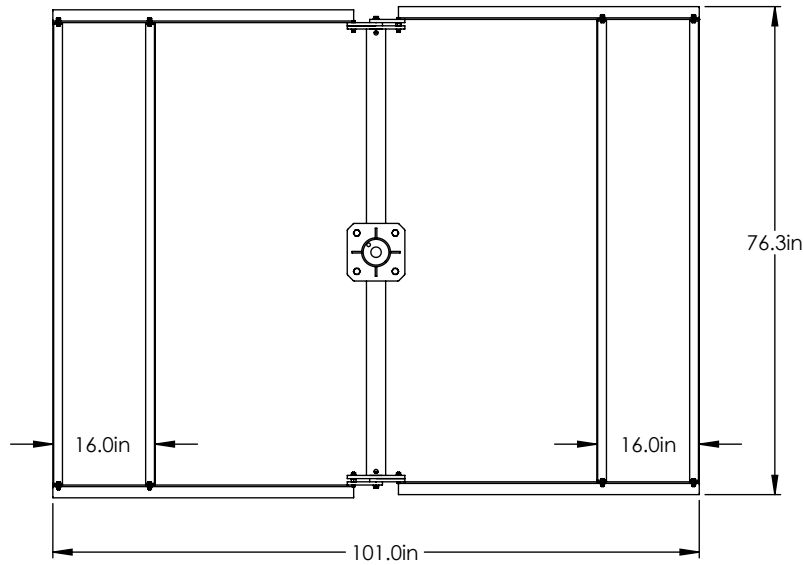
DO NOT SCALE DRAWING

BAIRD MOUNTING SYSTEMS

WATERLOO, IA 50703
PHONE: 319-233-3561
SALES@BAIRD MOUNTS.COM

DESCRIPTION:
UNIVERSAL RIDGEMOUNT (UR) WITH 5' MAST

DRAWN BY JK	DATE 06/15/13
MATERIAL STEEL	FINISH HDG
DWG. PURPOSE CUSTOMER	SHEET 1OF2
SCALE -	
PART. NO. SEE TABLE	
DWG. NO. UR-(000)X5	



PROPRIETARY AND CONFIDENTIAL
 THE INFORMATION CONTAINED IN THIS DRAWING IS THE SOLE PROPERTY OF BAIRD SUPPORTING SYSTEMS. ANY REPRODUCTION IN PART OR AS A WHOLE WITHOUT THE WRITTEN PERMISSION OF BAIRD SUPPORTING SYSTEMS IS PROHIBITED.



WWW.BAIRD MOUNTS.COM

UNLESS OTHERWISE SPECIFIED:
 DIMENSIONS ARE IN INCHES
 TOLERANCES:
 FRACTIONAL ±
 ANGULAR: MACH ± BEND ±
 TWO PLACE DECIMAL ±
 THREE PLACE DECIMAL ±

DO NOT SCALE DRAWING

BAIRD MOUNTING SYSTEMS

WATERLOO, IA 50703
 PHONE: 319-233-3561
 SALES@BAIRDMOUNTS.COM

DESCRIPTION:
 UNIVERSAL RIDGEMOUNT (UR) WITH 5' MAST

DRAWN BY: JK DATE: 06/15/13

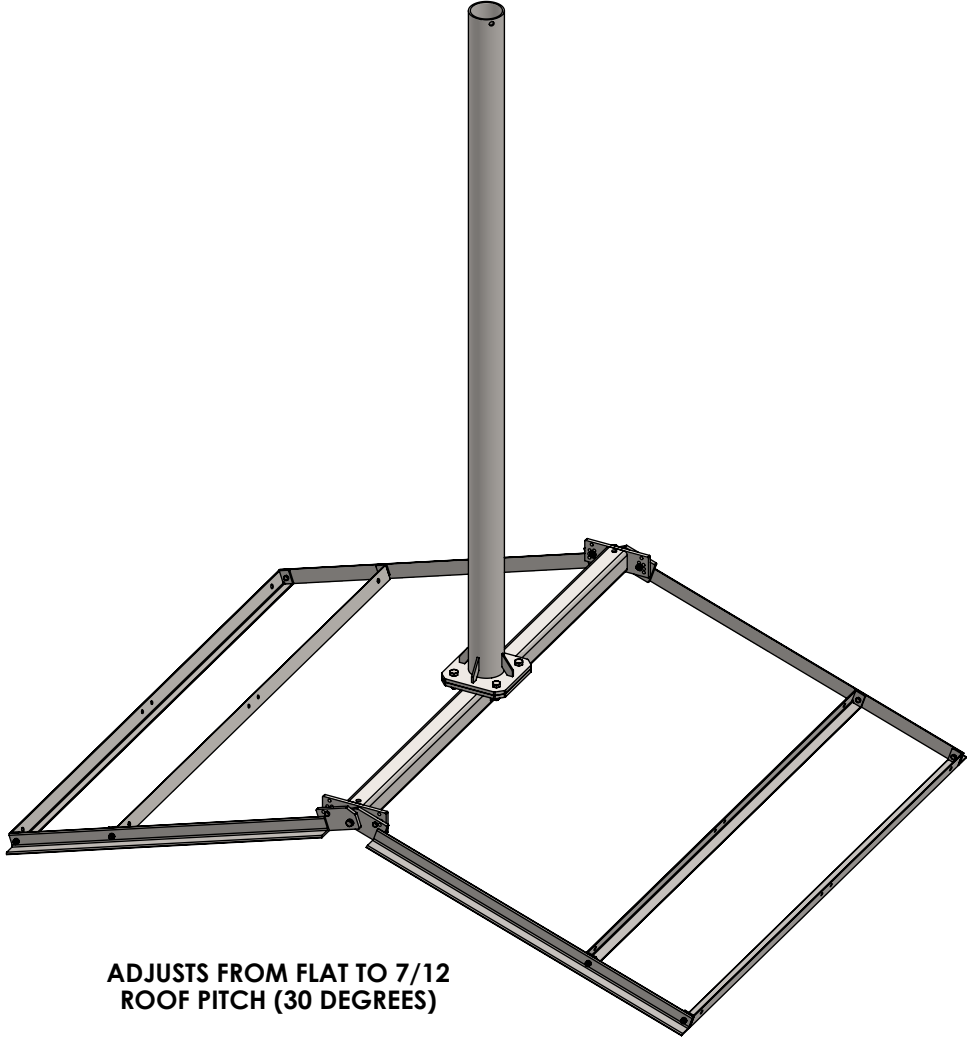
MATERIAL: STEEL FINISH: HDG

DWG. PURPOSE: CUSTOMER SHEET: 2 OF 2 SCALE: -

PART. NO.: SEE TABLE- SHEET 1

DWG. NO.: UR-(000)X5

PART NO.	MAST DIAMETER	WEIGHT
UR-237X8	2.37"OD	222 lbs.
UR-288X8	2.88"OD	241 lbs.
UR-450X8	4.50"OD	284 lbs.



**ADJUSTS FROM FLAT TO 7/12
ROOF PITCH (30 DEGREES)**

PROPRIETARY AND CONFIDENTIAL
THE INFORMATION CONTAINED IN THIS DRAWING IS THE SOLE PROPERTY OF BAIRD SUPPORTING SYSTEMS. ANY REPRODUCTION IN PART OR AS A WHOLE WITHOUT THE WRITTEN PERMISSION OF BAIRD SUPPORTING SYSTEMS IS PROHIBITED.



WWW.BAIRD MOUNTS.COM

UNLESS OTHERWISE SPECIFIED:
DIMENSIONS ARE IN INCHES
TOLERANCES:
FRACTIONAL ±
ANGULAR: MACH ± BEND ±
TWO PLACE DECIMAL ±
THREE PLACE DECIMAL ±

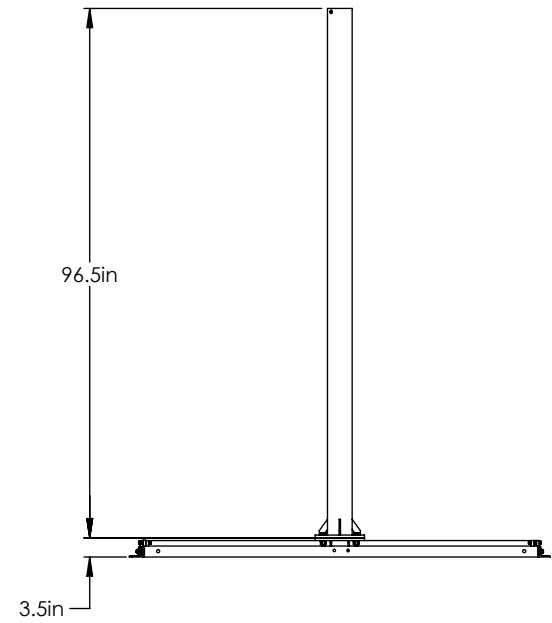
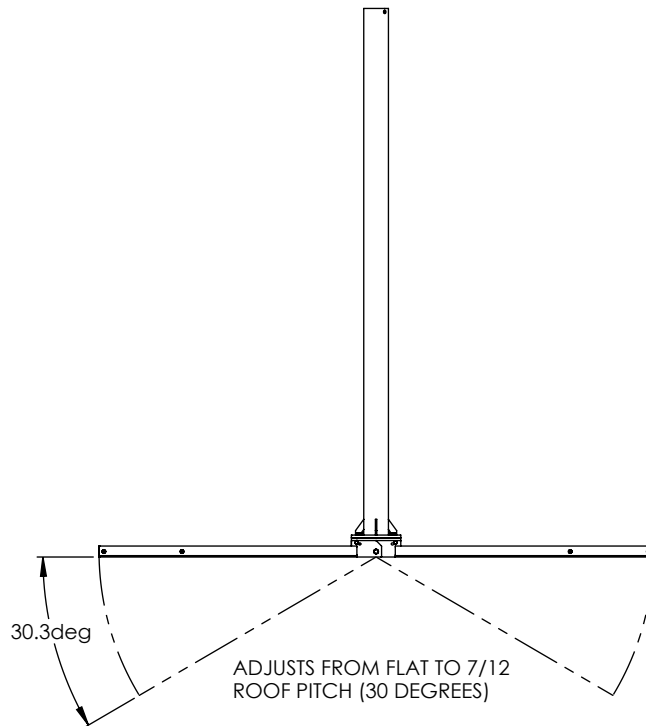
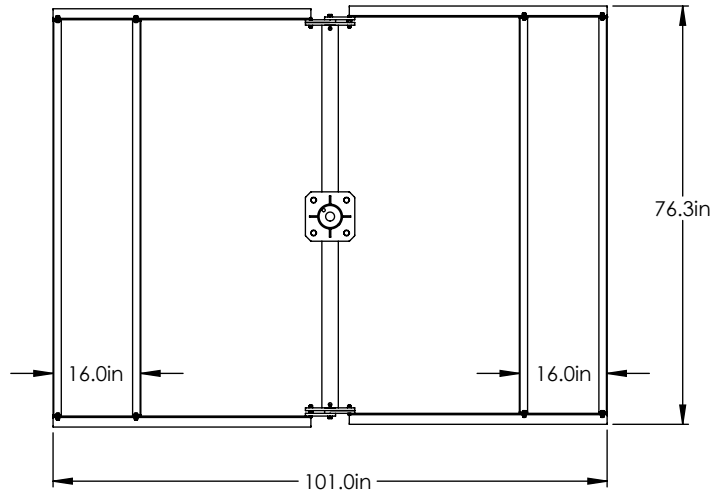
DO NOT SCALE DRAWING

BAIRD MOUNTING SYSTEMS

WATERLOO, IA 50703
PHONE: 319-233-3561
SALES@BAIRDMOUNTS.COM

DESCRIPTION:
UNIVERSAL RIDGEMOUNT (UR) WITH 8' MAST

DRAWN BY JK	DATE 06/15/13	
MATERIAL STEEL	FINISH HDG	
DWG. PURPOSE CUSTOMER	SHEET 10F2	SCALE -
PART. NO. SEE TABLE		
DWG. NO. UR-(000)X8		



PROPRIETARY AND CONFIDENTIAL
 THE INFORMATION CONTAINED IN THIS DRAWING IS THE SOLE PROPERTY OF BAIRD SUPPORTING SYSTEMS. ANY REPRODUCTION IN PART OR AS A WHOLE WITHOUT THE WRITTEN PERMISSION OF BAIRD SUPPORTING SYSTEMS IS PROHIBITED.



WWW.BAIRD MOUNTS.COM

UNLESS OTHERWISE SPECIFIED:
 DIMENSIONS ARE IN INCHES
 TOLERANCES:
 FRACTIONAL ±
 TWO PLACE DECIMAL ±
 ANGULAR: MACH ± BEND ±
 THREE PLACE DECIMAL ±

DO NOT SCALE DRAWING

BAIRD MOUNTING SYSTEMS

WATERLOO, IA 50703
 PHONE: 319-233-3561
 SALES@BAIRD MOUNTS.COM

DESCRIPTION:
 UNIVERSAL RIDGEMOUNT (UR) WITH 8' MAST

DRAWN BY JK	DATE 06/15/13	
MATERIAL STEEL	FINISH HDG	
DWG. PURPOSE CUSTOMER	SHEET 2 OF 2	SCALE -
PART. NO. SEE TABLE- SHEET 1		
DWG. NO. UR-(000)X8		

PART NO.	MAST DIAMETER	WEIGHT
UR-237X10	2.37"OD	230lbs.
UR-288X10	2.88"OD	253 lbs.
UR-450X10	4.50"OD	307 lbs.



**ADJUSTS FROM FLAT TO 7/12
ROOF PITCH (30 DEGREES)**

PROPRIETARY AND CONFIDENTIAL
THE INFORMATION CONTAINED IN THIS DRAWING IS THE SOLE PROPERTY OF BAIRD SUPPORTING SYSTEMS. ANY REPRODUCTION IN PART OR AS A WHOLE WITHOUT THE WRITTEN PERMISSION OF BAIRD SUPPORTING SYSTEMS IS PROHIBITED.



WWW.BAIRD MOUNTS.COM

UNLESS OTHERWISE SPECIFIED:
DIMENSIONS ARE IN INCHES
TOLERANCES:
FRACTIONAL ±
ANGULAR: MACH ± BEND ±
TWO PLACE DECIMAL ±
THREE PLACE DECIMAL ±

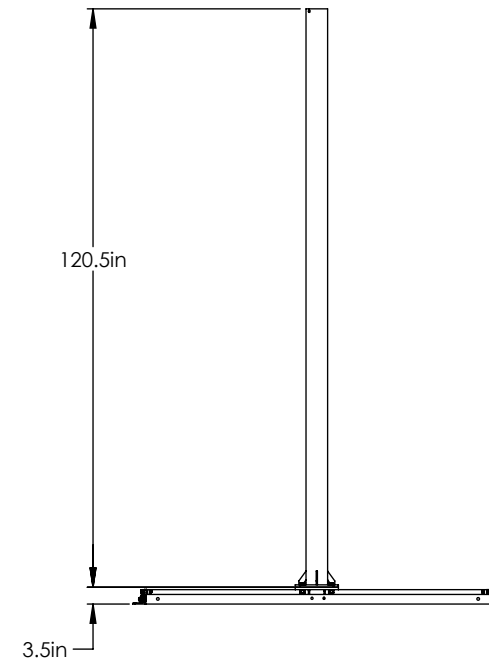
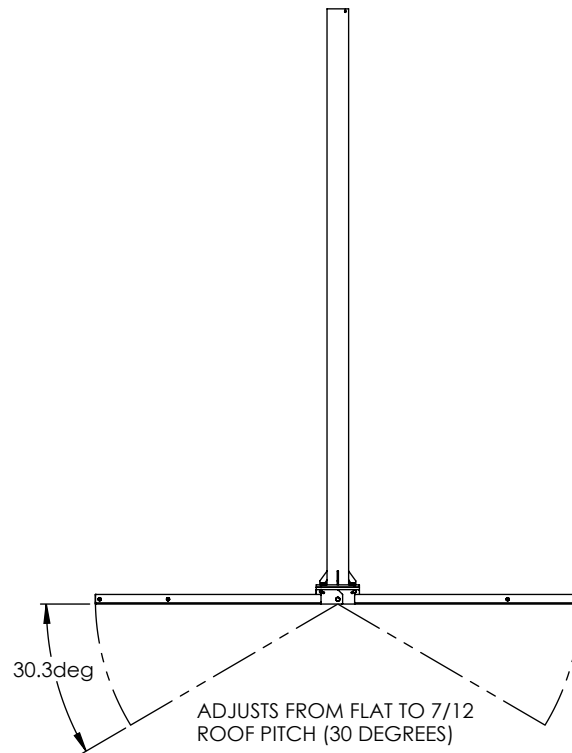
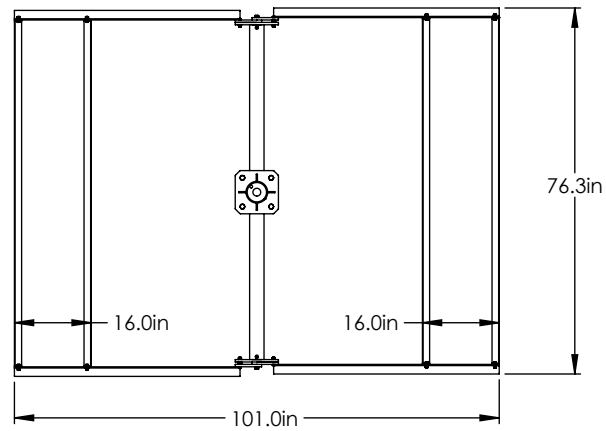
DO NOT SCALE DRAWING

BAIRD MOUNTING SYSTEMS

WATERLOO, IA 50703
PHONE: 319-233-3561
SALES@BAIRDMOUNTS.COM

DESCRIPTION:
UNIVERSAL RIDGEMOUNT (UR) WITH 10' MAST

DRAWN BY JK	DATE 06/15/13	
MATERIAL STEEL	FINISH HDG	
DWG. PURPOSE CUSTOMER	SHEET 1OF2	SCALE -
PART. NO. SEE TABLE		
DWG. NO. UR-(000)X10		



PROPRIETARY AND CONFIDENTIAL
 THE INFORMATION CONTAINED IN THIS DRAWING IS THE SOLE PROPERTY OF BAIRD SUPPORTING SYSTEMS. ANY REPRODUCTION IN PART OR AS A WHOLE WITHOUT THE WRITTEN PERMISSION OF BAIRD SUPPORTING SYSTEMS IS PROHIBITED.



WWW.BAIRD MOUNTS.COM

UNLESS OTHERWISE SPECIFIED:
 DIMENSIONS ARE IN INCHES
 TOLERANCES:
 FRACTIONAL ±
 ANGULAR: MACH ± BEND ±
 TWO PLACE DECIMAL ±
 THREE PLACE DECIMAL ±

DO NOT SCALE DRAWING

BAIRD MOUNTING SYSTEMS

WATERLOO, IA 50703
 PHONE: 319-233-3561
 SALES@BAIRD MOUNTS.COM

DESCRIPTION:
 UNIVERSAL RIDGEMOUNT (UR) WITH 10' MAST

DRAWN BY JK	DATE 06/15/13	
MATERIAL STEEL	FINISH HDG	
DWG. PURPOSE CUSTOMER	SHEET 2 OF 2	SCALE -
PART. NO. SEE TABLE- SHEET 1		
DWG. NO. UR-(000)X10		