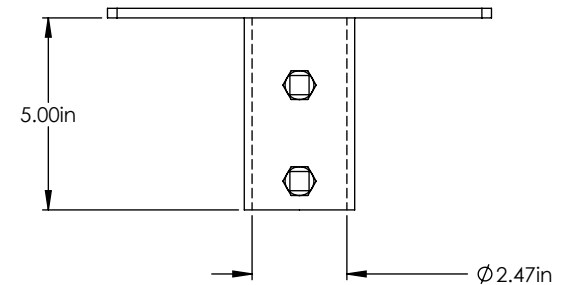
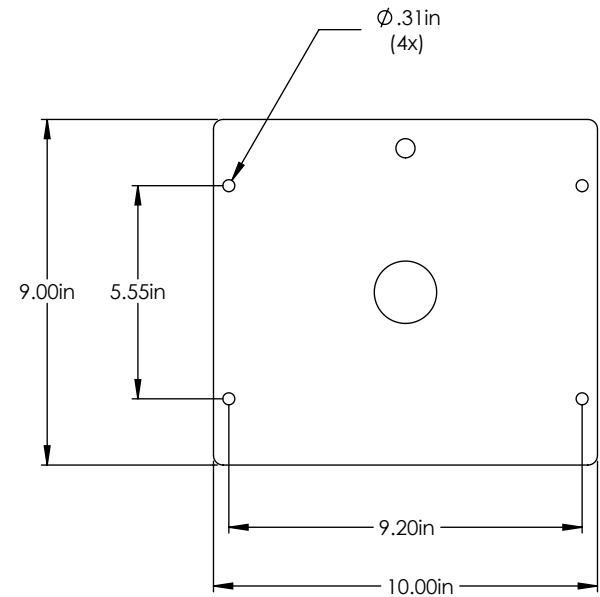
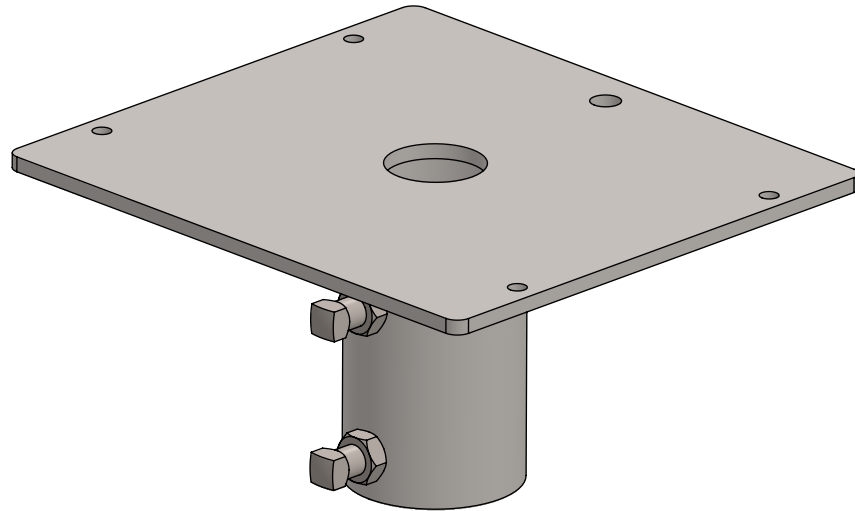


PART NO.	DESCRIPTION	WEIGHT (LBS.)
MA-237-SLHPFW	2.37OD TO STARLINK HP FLAT WEDGE ADAPTER	9



**PROPRIETARY AND CONFIDENTIAL**  
 THE INFORMATION CONTAINED IN THIS DRAWING IS THE SOLE PROPERTY OF BAIRD SUPPORTING SYSTEMS. ANY REPRODUCTION IN PART OR AS A WHOLE WITHOUT THE WRITTEN PERMISSION OF BAIRD SUPPORTING SYSTEMS IS PROHIBITED.



UNLESS OTHERWISE SPECIFIED:  
 DIMENSIONS ARE IN INCHES  
 TOLERANCES:  
 FRACTIONAL ±  
 ANGULAR: MACH ± BEND ±  
 TWO PLACE DECIMAL ±  
 THREE PLACE DECIMAL ±  
 DO NOT SCALE DRAWING

**BAIRD MOUNTING SYSTEMS**  
 WATERLOO, IA 50703  
 PHONE: 319-233-3561  
 SALES@BAIRDMOUNTS.COM

DESCRIPTION:  
 MAST ADAPTER 2.37"OD MAST TO STARLINK HIGH PERFORMANCE FLAT WEDGE

DRAWN BY JK	DATE 07/13/23
MATERIAL STEEL	FINISH HDG
DWG. PURPOSE CUSTOMER	SHEET 1 OF 1
SCALE -	
PART. NO. MA-237-SLHPFW	
DWG. NO. MA-237-SLHPFW	