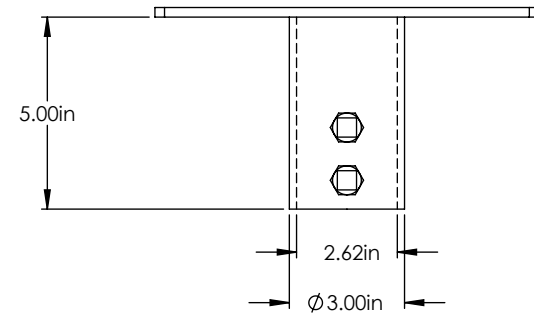
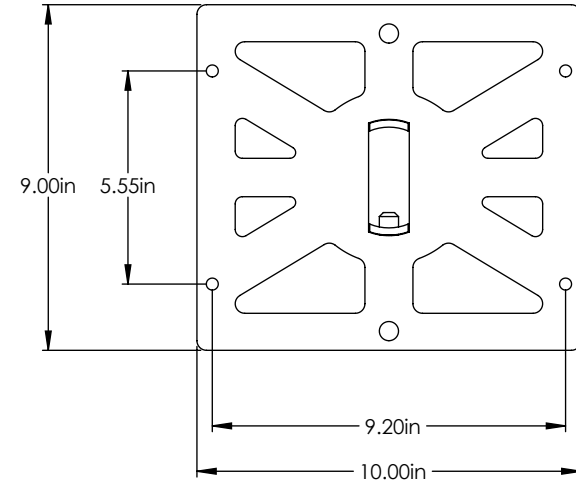
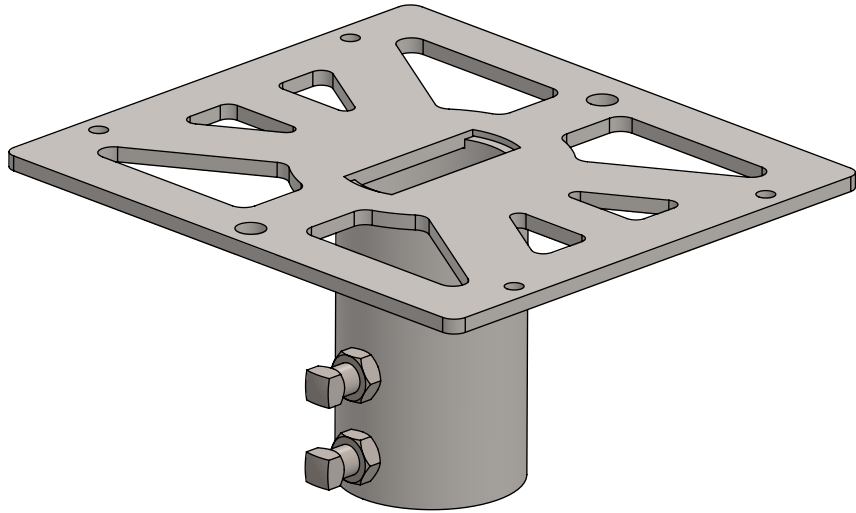


PART NO.	DESCRIPTION	WEIGHT (LBS.)
MA-237-SLHPFW	2.37OD TO STARLINK HP FLAT WEDGE ADAPTER	7.2



PROPRIETARY AND CONFIDENTIAL
 THE INFORMATION CONTAINED IN THIS DRAWING IS THE SOLE PROPERTY OF BAIRD SUPPORTING SYSTEMS. ANY REPRODUCTION IN PART OR AS A WHOLE WITHOUT THE WRITTEN PERMISSION OF BAIRD SUPPORTING SYSTEMS IS PROHIBITED.



WWW.BAIRD MOUNTS.COM

UNLESS OTHERWISE SPECIFIED:
 DIMENSIONS ARE IN INCHES
 TOLERANCES:
 FRACTIONAL ±
 ANGULAR: MACH ± BEND ±
 TWO PLACE DECIMAL ±
 THREE PLACE DECIMAL ±

DO NOT SCALE DRAWING

BAIRD MOUNTING SYSTEMS

WATERLOO, IA 50703
 PHONE: 319-233-3561
 SALES@BAIRD MOUNTS.COM

DESCRIPTION:
 MAST ADAPTER 2.37"OD MAST TO STARLINK
 HIGH PERFORMANCE FLAT WEDGE

DRAWN BY JK	DATE 07/13/23	
MATERIAL STEEL	FINISH HDG	
DWG. PURPOSE CUSTOMER	SHEET 10F1	SCALE -
PART. NO. MA-237-SLHPFW		
DWG. NO. MA-237-SLHPFW		