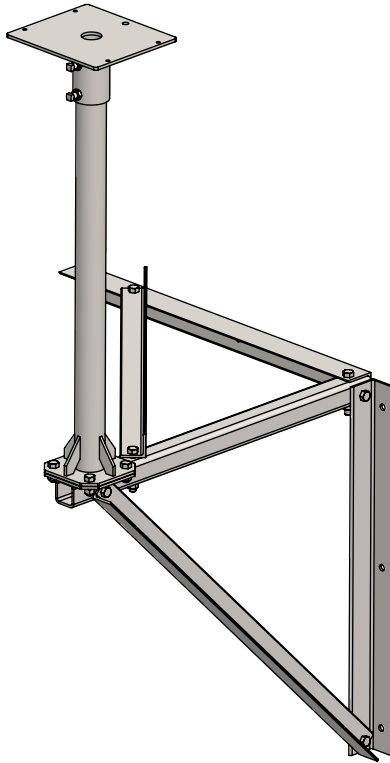


WL4-237X (0)-SLHPA



SYM	PART#	DESCRIPTION	QTY.
1	AB1320HD	HORIZONTAL ANGLE 3/16"x2-1/2"x2-1/2"L x 32", HDG	1
2	AB1321HD	VERTICAL ANGLE 3/16"x2-1/2"x2-1/2"L x 31", HDG	1
3	AB1322HD	HORIZONTAL BRACE ANGLE 3/16"x2"x2"L x 35-3/16", HDG	1
4	AB1323HD	VERTICAL BRACE ANGLE 3/16"x2"x2"L x 42-1/16", HDG	1
5	AB1324HD	MOUNTING ARM ASS'Y, HDG	1
6	AS REQ'D	MAST ASS'Y (DIAMETER & HEIGHT), HDG	1
7	H1-0500-300	1/2"x3" BOLT GR.5, Z/P	4
8	H1-0500-125	1/2" x 1-1/4" BOLT GR.5, Z/P	6
9	H4-0500LW	1/2" LOCKWASHER, Z/P	10
10	H2-0500HN	1/2" NUT, Z/P	10
11	AB1182-.42SLHPFWHD	MAST ADAPTER 2.37"OD TO STRLNK HP FLAT WEDGE, Z/P	1
12	H5-0500-125SHCPZ	1/2" x 1-1/4" SQ. HD CUP POINT SET SCREW, Z/P	2
13	H2-0500JN	1/2" JAM NUT, Z/P	2

PROPRIETARY AND CONFIDENTIAL

THE INFORMATION CONTAINED IN THIS DRAWING IS THE SOLE PROPERTY OF BAIRD SUPPORTING SYSTEMS. ANY REPRODUCTION IN PART OR AS A WHOLE WITHOUT THE WRITTEN PERMISSION OF BAIRD SUPPORTING SYSTEMS IS PROHIBITED.



WWW.BAIRD MOUNTS.COM

UNLESS OTHERWISE SPECIFIED:

DIMENSIONS ARE IN INCHES
 TOLERANCES:
 FRACTIONAL ±
 ANGULAR: MACH ± BEND ±
 TWO PLACE DECIMAL ±
 THREE PLACE DECIMAL ±

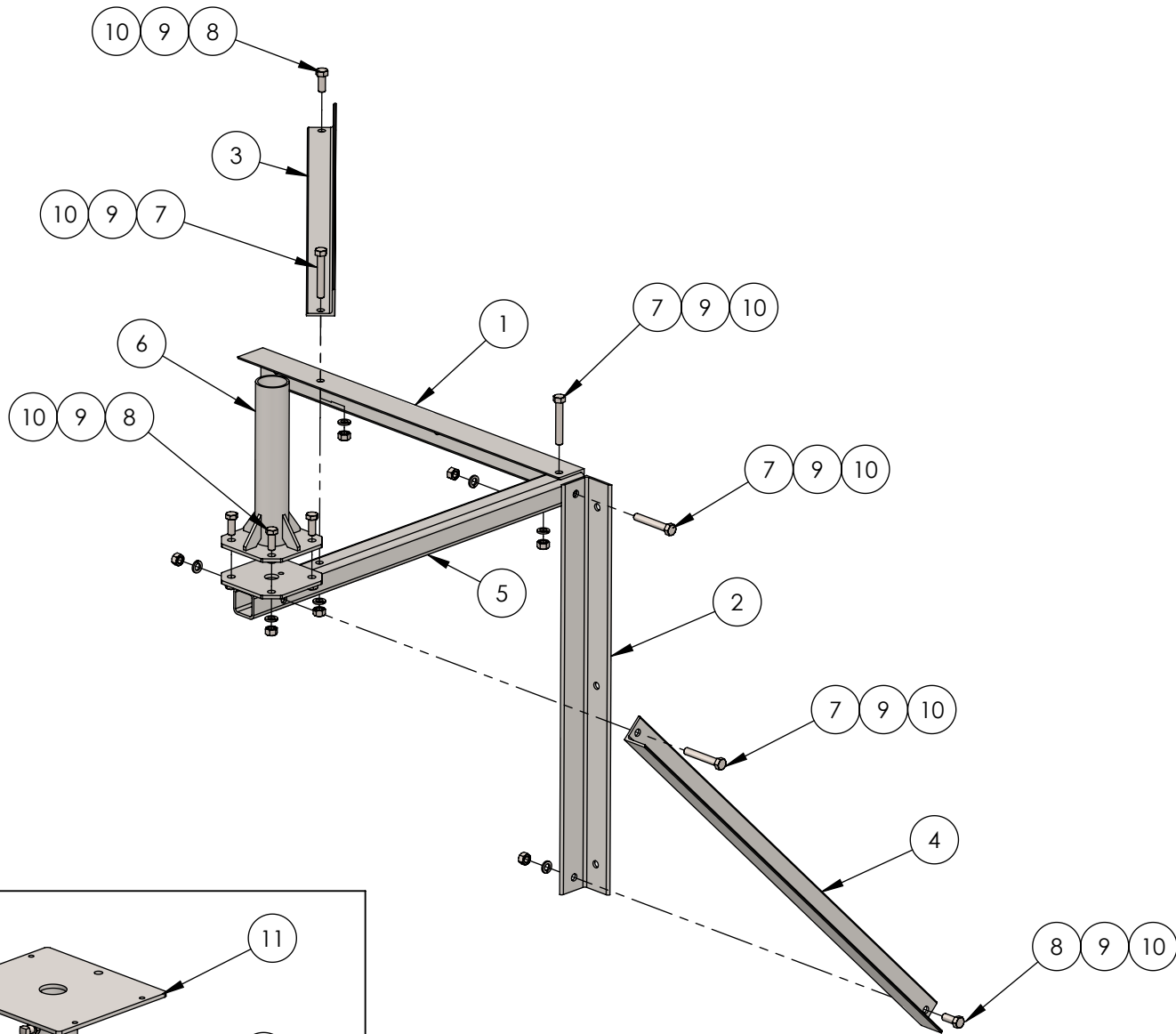
DO NOT SCALE DRAWING

BAIRD MOUNTING SYSTEMS

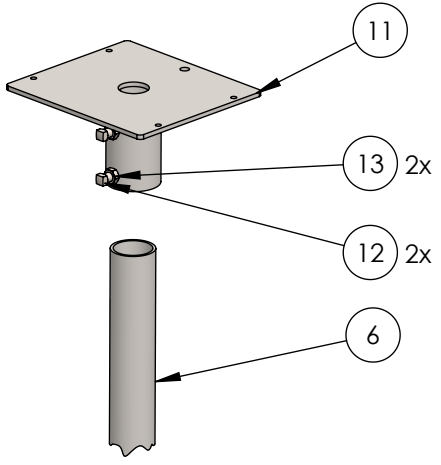
WATERLOO, IA 50703
 PHONE: 319-233-3561
 SALES@BAIRDMOUNTS.COM

TITLE:
 WL-4 WALL MOUNT w/ 2.37"OD MAST AND
 ADAPTER FOR SL HP WEDGE

DRAWN BY JK	DATE 03/14/24
MATERIAL STEEL	FINISH HDG
DWG. PURPOSE INST	SHEET 1 OF 3
SCALE -	
PART. NO. WL4-237X(0)-SLHPA	
DWG. NO. WL4-237X(0)-SLHPA INSTRUCTIONS	



THE WL-4 CAN BE ASSEMBLED IN AN LH OR RH VERSION (LH SHOWN ABOVE)



PROPRIETARY AND CONFIDENTIAL

THE INFORMATION CONTAINED IN THIS DRAWING IS THE SOLE PROPERTY OF BAIRD SUPPORTING SYSTEMS. ANY REPRODUCTION IN PART OR AS A WHOLE WITHOUT THE WRITTEN PERMISSION OF BAIRD SUPPORTING SYSTEMS IS PROHIBITED.



WWW.BAIRD MOUNTS.COM

UNLESS OTHERWISE SPECIFIED:
 DIMENSIONS ARE IN INCHES
 TOLERANCES:
 FRACTIONAL ±
 TWO PLACE DECIMAL ±
 THREE PLACE DECIMAL ±
 ANGULAR: MACH ± BEND ±
 DO NOT SCALE DRAWING

BAIRD MOUNTING SYSTEMS
 WATERLOO, IA 50703
 PHONE: 319-233-3561
 SALES@BAIRDMOUNTS.COM
 TITLE:
 WL-4 WALL MOUNT w/ 2.37"OD MAST AND ADAPTER FOR SL HP WEDGE

DRAWN BY JK	DATE 03/14/24
MATERIAL STEEL	FINISH HDG
DWG. PURPOSE INST	SHEET 2 OF 3
SCALE -	
PART. NO. WL4-237X(0)-SLHPA	
DWG. NO. WL4-237X(0)-SLHPA INSTRUCTIONS	

