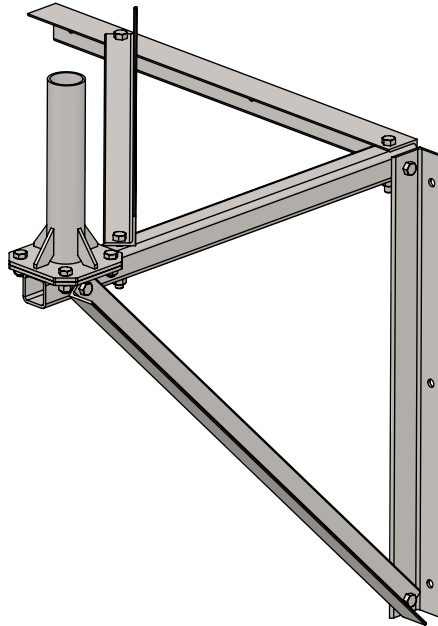


WL4-(000)X (0)



SYM	PART#	DESCRIPTION	QTY.
1	AB1320HD	HORIZONTAL ANGLE 3/16"x2-1/2"x2-1/2"L x 32", HDG	1
2	AB1321HD	VERTICAL ANGLE 3/16"x2-1/2"x2-1/2"L x 31", HDG	1
3	AB1322HD	HORIZONTAL BRACE ANGLE 3/16"x2"x2"L x 35-3/16", HDG	1
4	AB1323HD	VERTICAL BRACE ANGLE 3/16"x2"x2"L x 42-1/16", HDG	1
5	AB1324HD	MOUNTING ARM ASS'Y, HDG	1
6	AS REQ'D	MAST ASS'Y(DIAMETER & HEIGHT), HDG	1
7	H1-0500-300	1/2"x3" BOLT GR.5, Z/P	4
8	H1-0500-125	1/2" x 1-1/4" BOLT GR.5, Z/P	6
9	H4-0500LW	1/2" LOCKWASHER, Z/P	10
10	H2-0500HN	1/2" NUT, Z/P	10

PROPRIETARY AND CONFIDENTIAL

THE INFORMATION CONTAINED IN THIS DRAWING IS THE SOLE PROPERTY OF BAIRD SUPPORTING SYSTEMS. ANY REPRODUCTION IN PART OR AS A WHOLE WITHOUT THE WRITTEN PERMISSION OF BAIRD SUPPORTING SYSTEMS IS PROHIBITED.



WWW.BAIRD MOUNTS.COM

UNLESS OTHERWISE SPECIFIED:

DIMENSIONS ARE IN INCHES
 TOLERANCES:
 FRACTIONAL ±
 TWO PLACE DECIMAL ±
 THREE PLACE DECIMAL ±
 ANGULAR: MACH ± BEND ±

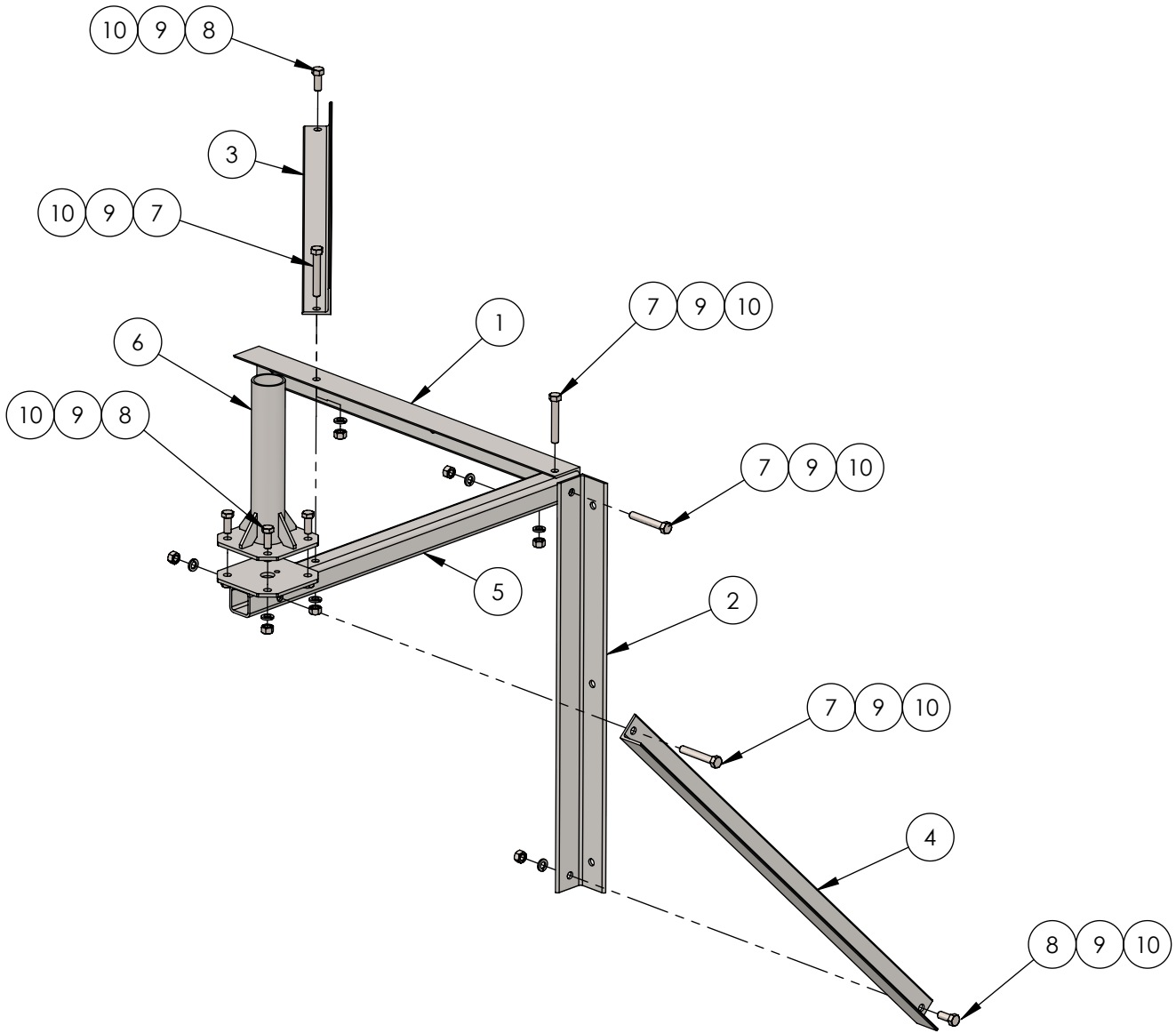
DO NOT SCALE DRAWING

BAIRD MOUNTING SYSTEMS

WATERLOO, IA 50703
 PHONE: 319-233-3561
 SALES@BAIRDMOUNTS.COM

TITLE:
 WL-4 WALL MOUNT

DRAWN BY JK	DATE 12/11/14
MATERIAL STEEL	FINISH HDG
DWG. PURPOSE INST	SHEET 1 OF 3
PART. NO. WL4-(000)X(0)	SCALE -
DWG. NO. WL4-(000)X(0) INSTRUCTIONS	



THE WL-4 CAN BE ASSEMBLED IN AN LH OR RH VERSION (LH SHOWN ABOVE)

PROPRIETARY AND CONFIDENTIAL

THE INFORMATION CONTAINED IN THIS DRAWING IS THE SOLE PROPERTY OF BAIRD SUPPORTING SYSTEMS. ANY REPRODUCTION IN PART OR AS A WHOLE WITHOUT THE WRITTEN PERMISSION OF BAIRD SUPPORTING SYSTEMS IS PROHIBITED.



WWW.BAIRD MOUNTS.COM

UNLESS OTHERWISE SPECIFIED:

DIMENSIONS ARE IN INCHES
 TOLERANCES:
 FRACTIONAL ±
 ANGULAR: MACH ± BEND ±
 TWO PLACE DECIMAL ±
 THREE PLACE DECIMAL ±

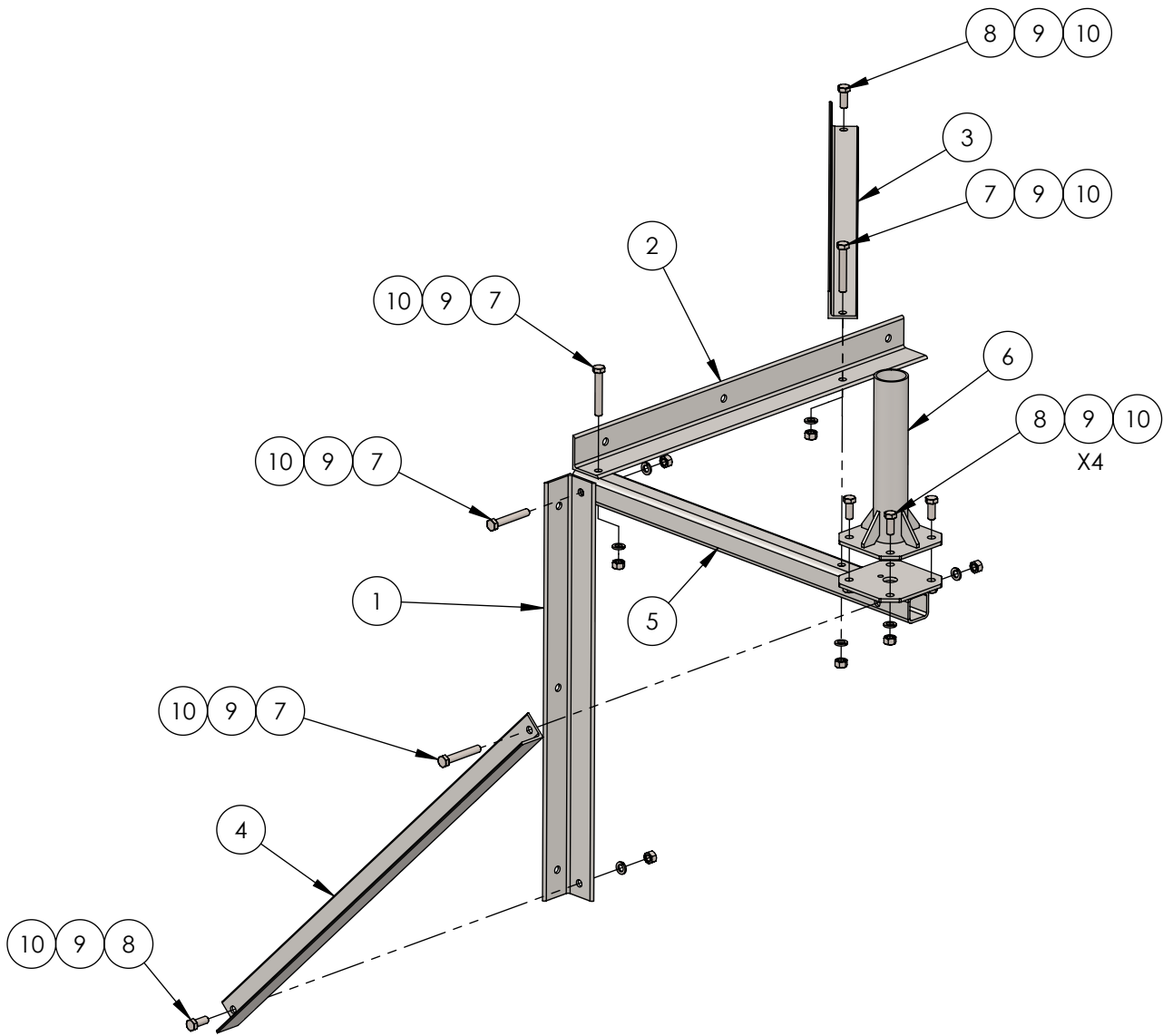
DO NOT SCALE DRAWING

BAIRD MOUNTING SYSTEMS

WATERLOO, IA 50703
 PHONE: 319-233-3561
 SALES@BAIRD MOUNTS.COM

TITLE:
 WL-4 WALL MOUNT

DRAWN BY JK	DATE 12/11/14	
MATERIAL STEEL	FINISH HDG	
DWG. PURPOSE INST	SHEET 2 OF 3	SCALE -
PART. NO. WL4-(000)X(0)		
DWG. NO. WL4-(000)X(0) INSTRUCTIONS		



THE WL-4 CAN BE ASSEMBLED IN AN LH OR RH VERSION (RH SHOWN ABOVE)

PROPRIETARY AND CONFIDENTIAL

THE INFORMATION CONTAINED IN THIS DRAWING IS THE SOLE PROPERTY OF BAIRD SUPPORTING SYSTEMS. ANY REPRODUCTION IN PART OR AS A WHOLE WITHOUT THE WRITTEN PERMISSION OF BAIRD SUPPORTING SYSTEMS IS PROHIBITED.



WWW.BAIRD MOUNTS.COM

UNLESS OTHERWISE SPECIFIED:

DIMENSIONS ARE IN INCHES
 TOLERANCES:
 FRACTIONAL ±
 ANGULAR: MACH ± BEND ±
 TWO PLACE DECIMAL ±
 THREE PLACE DECIMAL ±

DO NOT SCALE DRAWING

BAIRD MOUNTING SYSTEMS

WATERLOO, IA 50703
 PHONE: 319-233-3561
 SALES@BAIRD MOUNTS.COM

TITLE:
 WL-4 WALL MOUNT

DRAWN BY JK	DATE 12/11/14	
MATERIAL STEEL	FINISH HDG	
DWG. PURPOSE INST	SHEET 3OF3	SCALE -
PART. NO. WL4-(000)X(0)		
DWG. NO. WL4-(000)X(0) INSTRUCTIONS		