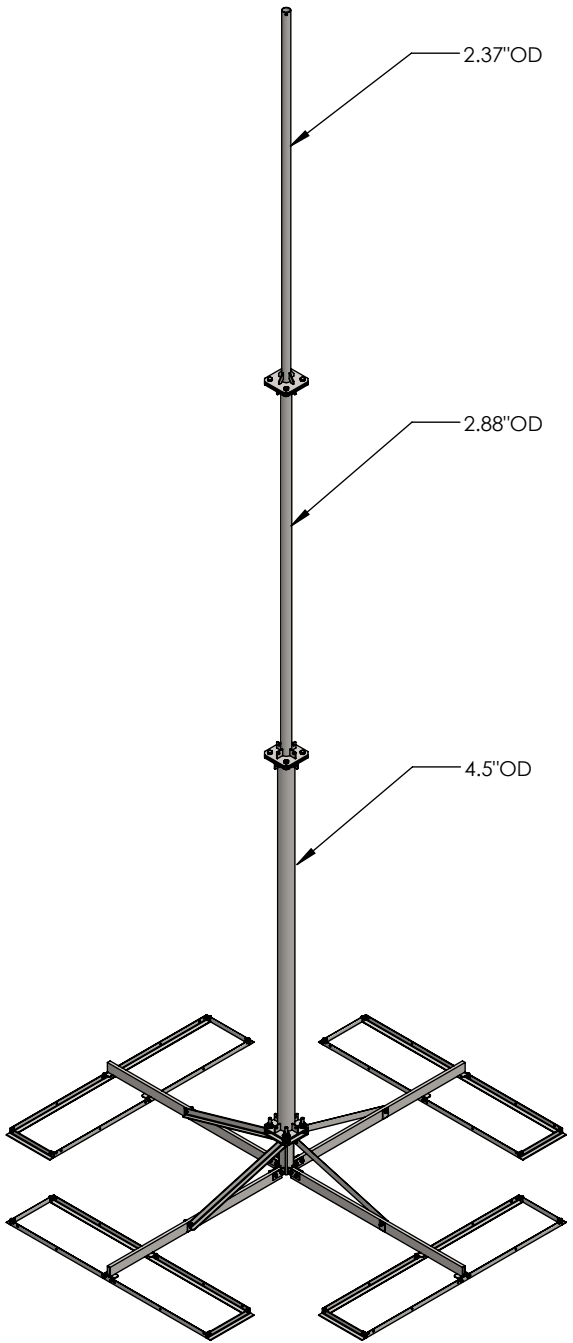


PART #	DESCRIPTION	WEIGHT
B6116-30S3-RPL	B6116, LEVELER,30' MAST (2.37"OD TOP SECTION)	437 lbs.



**PROPRIETARY AND CONFIDENTIAL**  
 THE INFORMATION CONTAINED IN THIS DRAWING IS THE SOLE PROPERTY OF BAIRD SUPPORTING SYSTEMS. ANY REPRODUCTION IN PART OR AS A WHOLE WITHOUT THE WRITTEN PERMISSION OF BAIRD SUPPORTING SYSTEMS IS PROHIBITED.



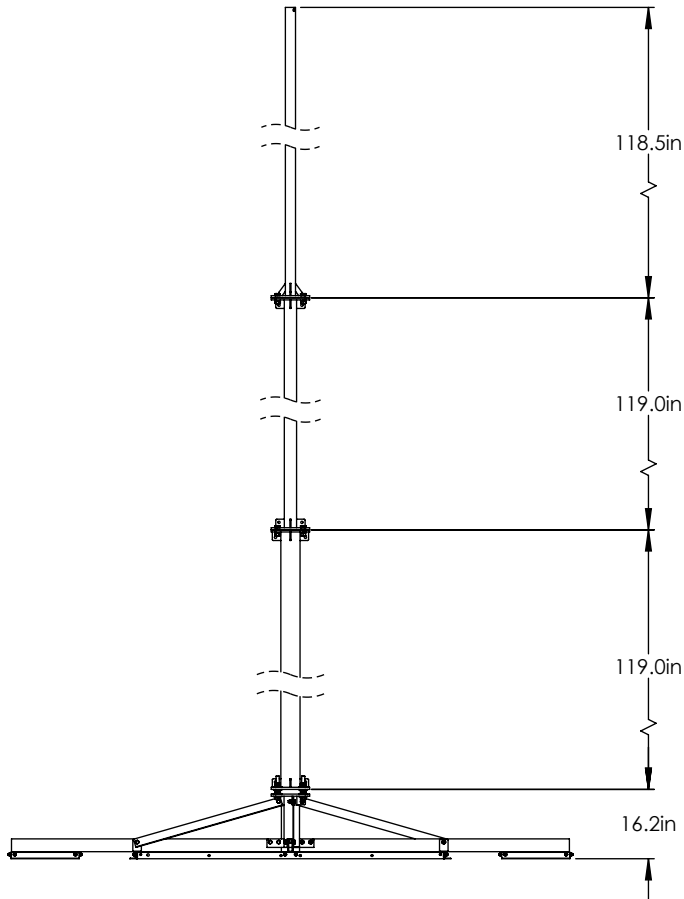
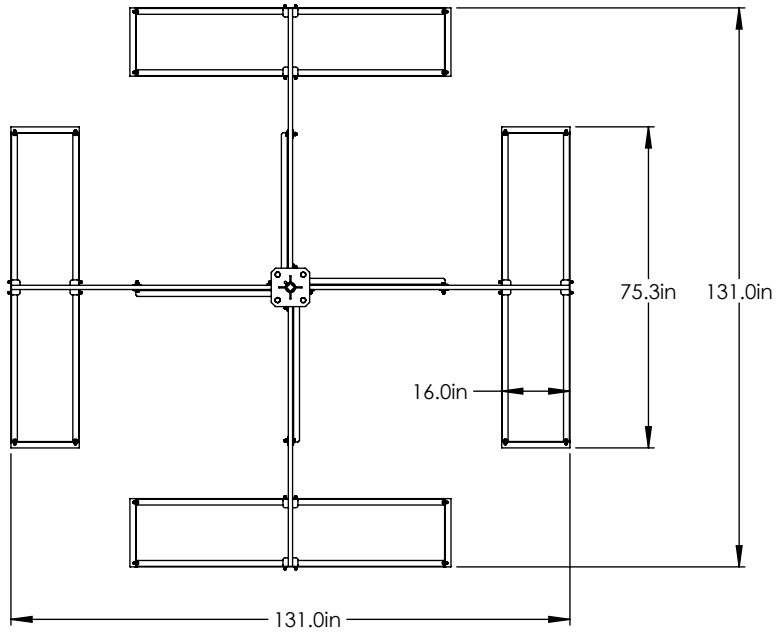
WWW.BAIRD MOUNTS.COM

UNLESS OTHERWISE SPECIFIED:  
 DIMENSIONS ARE IN INCHES  
 TOLERANCES:  
 FRACTIONAL ±  
 ANGULAR: MACH ± BEND ±  
 TWO PLACE DECIMAL ±  
 THREE PLACE DECIMAL ±  
 DO NOT SCALE DRAWING

**BAIRD MOUNTING SYSTEMS**  
 CEDAR FALLS, IA 50613  
 PHONE: 319-233-3561  
 SALES@BAIRD MOUNTS.COM

TITLE:  
 B6116 BASE, 30' 3SECTION MAST,LEVELER,  
 RUBBER PAD

DRAWN BY JK	DATE 1/15/15
MATERIAL STEEL	FINISH HDG
DWG. PURPOSE CUSTOMER	SHEET 1 OF 2
SCALE -	
PART. NO. B6116-30S3-RPL	
DWG. NO. B6116-30S3-RPL	



**PROPRIETARY AND CONFIDENTIAL**

THE INFORMATION CONTAINED IN THIS DRAWING IS THE SOLE PROPERTY OF BAIRD SUPPORTING SYSTEMS. ANY REPRODUCTION IN PART OR AS A WHOLE WITHOUT THE WRITTEN PERMISSION OF BAIRD SUPPORTING SYSTEMS IS PROHIBITED.



WWW.BAIRD MOUNTS.COM

UNLESS OTHERWISE SPECIFIED:

DIMENSIONS ARE IN INCHES  
 TOLERANCES:  
 FRACTIONAL ±  
 ANGULAR: MACH ± BEND ±  
 TWO PLACE DECIMAL ±  
 THREE PLACE DECIMAL ±

DO NOT SCALE DRAWING

**BAIRD MOUNTING SYSTEMS**

CEDAR FALLS, IA 50613  
 PHONE: 319-233-3561  
 SALES@BAIRDMOUNTS.COM

TITLE:  
 B6116 BASE, 30' 3SECTION MAST,LEVELER,  
 RUBBER PAD

DRAWN BY JK	DATE 1/15/15
MATERIAL STEEL	FINISH HDG
DWG. PURPOSE CUSTOMER	SHEET 2OF2
PART. NO. B6116-30S3-RPL	SCALE -
DWG. NO. B6116-30S3-RPL	