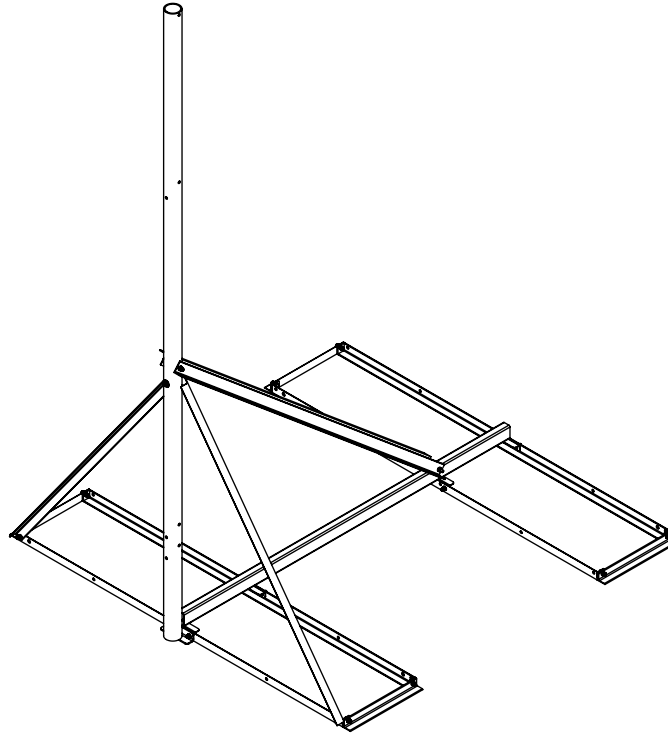


B46LBK-288X(000)-R



SYM	PART #	DESCRIPTION	QTY.
1	AB1620HD	B4 SUPPORT TUBE ASSY, HDG	1
2	AB1624HD	6' B4 BALLAST ANGLE, HDG	4
3	AB1425HD	16" SIDE PAD, HDG	4
4	AB1621M(76.19)-RLHD	B4 LONG REAR BRACE 1.5x2Lx76.19", HDG	2
5	AB1622(61)LHD	B4 LH LONG SIDE BRACE 1.5x1.5Lx61", HDG	1
6	AB1622(61)RHD	B4 RH LONG SIDE BRACE 1.5x1.5Lx61", HDG	1
7	as req'd	2.88"OD x (00) B4 MAST, HDG	1
8	-	-	-
9	-	-	-
10	H1-0375-100	3/8"x1" BOLT GR.5, Z/P	18
11	H2-0375HN	3/8" NUT, Z/P	19
12	H1-0375-400TB	3/8" x 4" TAP BOLT(FULL THREAD) GR.5, Z/P	3
13	H4-0375LW	3/8" SPLIT-LOCKWASHER, Z/P	19
14	H2-0375WN	3/8" WHIZ LOCK NUT, Z/P	2
15	H3-0375FW	3/8" USS FLATWASHER, Z/P	2
16		RUBBER PAD 16x77	2

HDWE-B4

PROPRIETARY AND CONFIDENTIAL

THE INFORMATION CONTAINED IN THIS DRAWING IS THE SOLE PROPERTY OF BAIRD SUPPORTING SYSTEMS. ANY REPRODUCTION IN PART OR AS A WHOLE WITHOUT THE WRITTEN PERMISSION OF BAIRD SUPPORTING SYSTEMS IS PROHIBITED.



WWW.BAIRD MOUNTS.COM

UNLESS OTHERWISE SPECIFIED:

DIMENSIONS ARE IN INCHES
 TOLERANCES:
 FRACTIONAL ±
 ANGULAR: MACH ± BEND ±
 TWO PLACE DECIMAL ±
 THREE PLACE DECIMAL ±

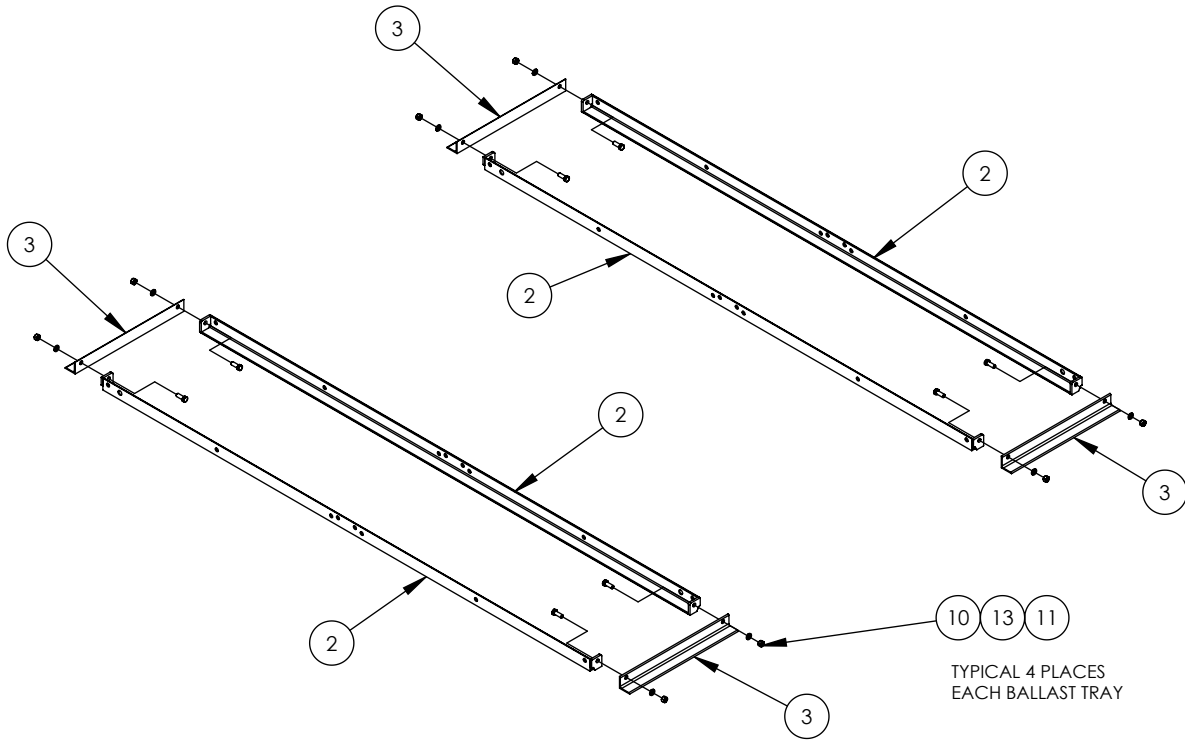
DO NOT SCALE DRAWING

BAIRD MOUNTING SYSTEMS

WATERLOO, IA 50703
 PHONE: 319-233-3561
 SALES@BAIRD MOUNTS.COM

TITLE:
 B46, LONG BRACE KIT, MAST(ONE SECTION)

DRAWN BY JK	DATE 02/03/22
MATERIAL -	FINISH -
DWG. PURPOSE INST	SHEET 1 OF 5
PART. NO. -	SCALE -
DWG. NO. B46LBK-288X(000)-R INST	



ASSEMBLE THE TWO BALLAST TRAYS (AS SHOWN ABOVE). EACH BALLAST TRAY CONSISTS OF TWO 6' BALLAST ANGLES(#2) AND TWO SIDE PADS(#3). ASSEMBLE EACH TRAY USING FOUR 3/8"x1" BOLTS, LOCKWASHERS AND NUTS (#10,#13,#11)

PROPRIETARY AND CONFIDENTIAL

THE INFORMATION CONTAINED IN THIS DRAWING IS THE SOLE PROPERTY OF BAIRD SUPPORTING SYSTEMS. ANY REPRODUCTION IN PART OR AS A WHOLE WITHOUT THE WRITTEN PERMISSION OF BAIRD SUPPORTING SYSTEMS IS PROHIBITED.



WWW.BAIRD MOUNTS.COM

UNLESS OTHERWISE SPECIFIED:

DIMENSIONS ARE IN INCHES
 TOLERANCES:
 FRACTIONAL ±
 ANGULAR: MACH ± BEND ±
 TWO PLACE DECIMAL ±
 THREE PLACE DECIMAL ±

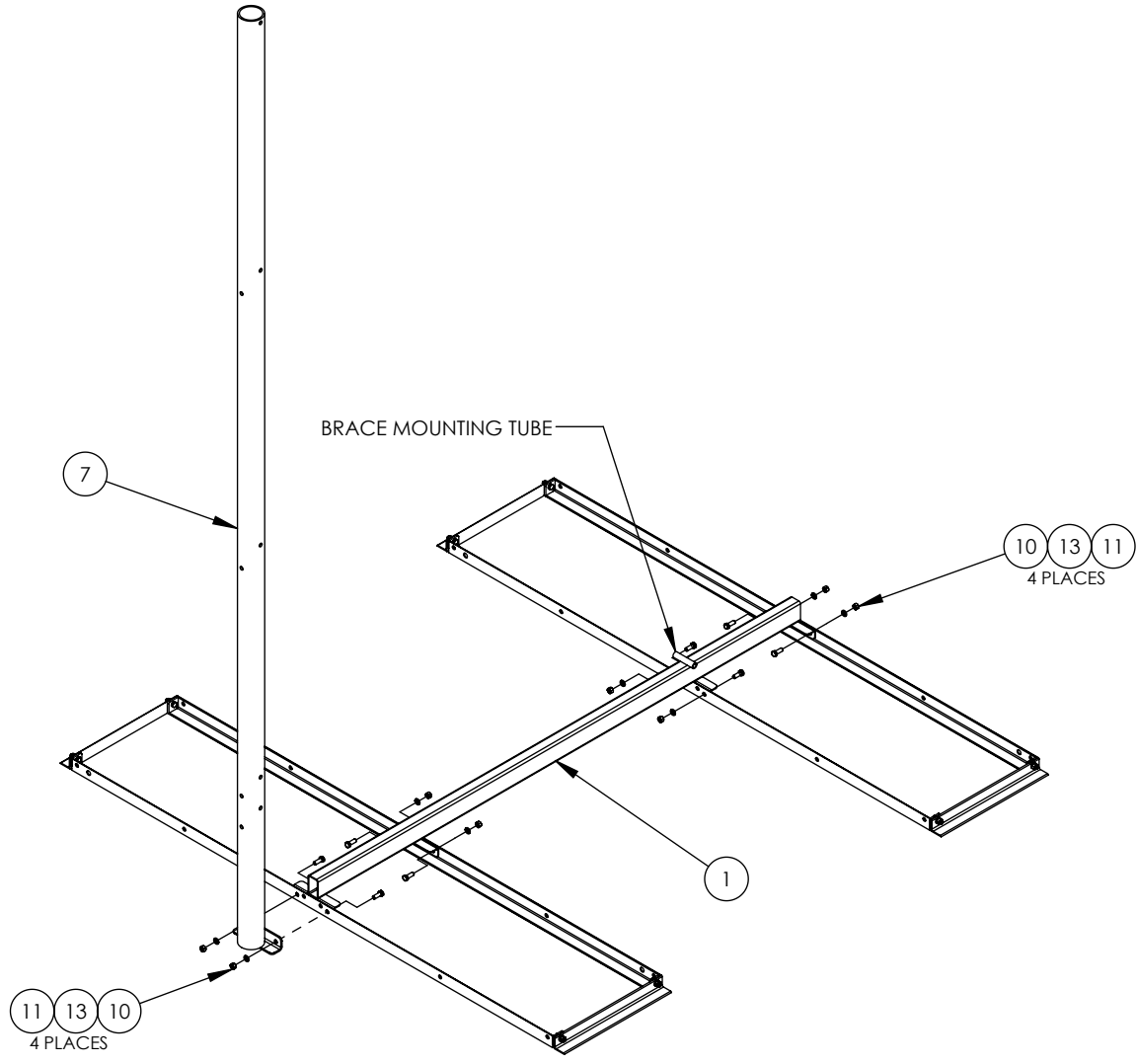
DO NOT SCALE DRAWING

BAIRD MOUNTING SYSTEMS

WATERLOO, IA 50703
 PHONE: 319-233-3561
 SALES@BAIRD MOUNTS.COM

TITLE:
 B46, LONG BRACE KIT, MAST(ONE SECTION)

DRAWN BY JK	DATE 02/03/22	
MATERIAL -	FINISH -	
DWG. PURPOSE INST	SHEET 2	SCALE -
PART. NO. -		
DWG. NO. B46LBK-288X(000)-R INST		



ATTACH THE SUPPORT TUBE(#1) TO THE BALLAST TRAYS USING FOUR 3/8"x1" BOLTS, LOCKWASHERS AND NUTS(#10,#13,#11). THE MAST(#7) ALSO GETS ATTACHED AT THIS STEP. THE MAST IS ATTACHED AT THE OPPOSITE END OF THE BRACE MOUNTING TUBE.

PROPRIETARY AND CONFIDENTIAL

THE INFORMATION CONTAINED IN THIS DRAWING IS THE SOLE PROPERTY OF BAIRD SUPPORTING SYSTEMS. ANY REPRODUCTION IN PART OR AS A WHOLE WITHOUT THE WRITTEN PERMISSION OF BAIRD SUPPORTING SYSTEMS IS PROHIBITED.



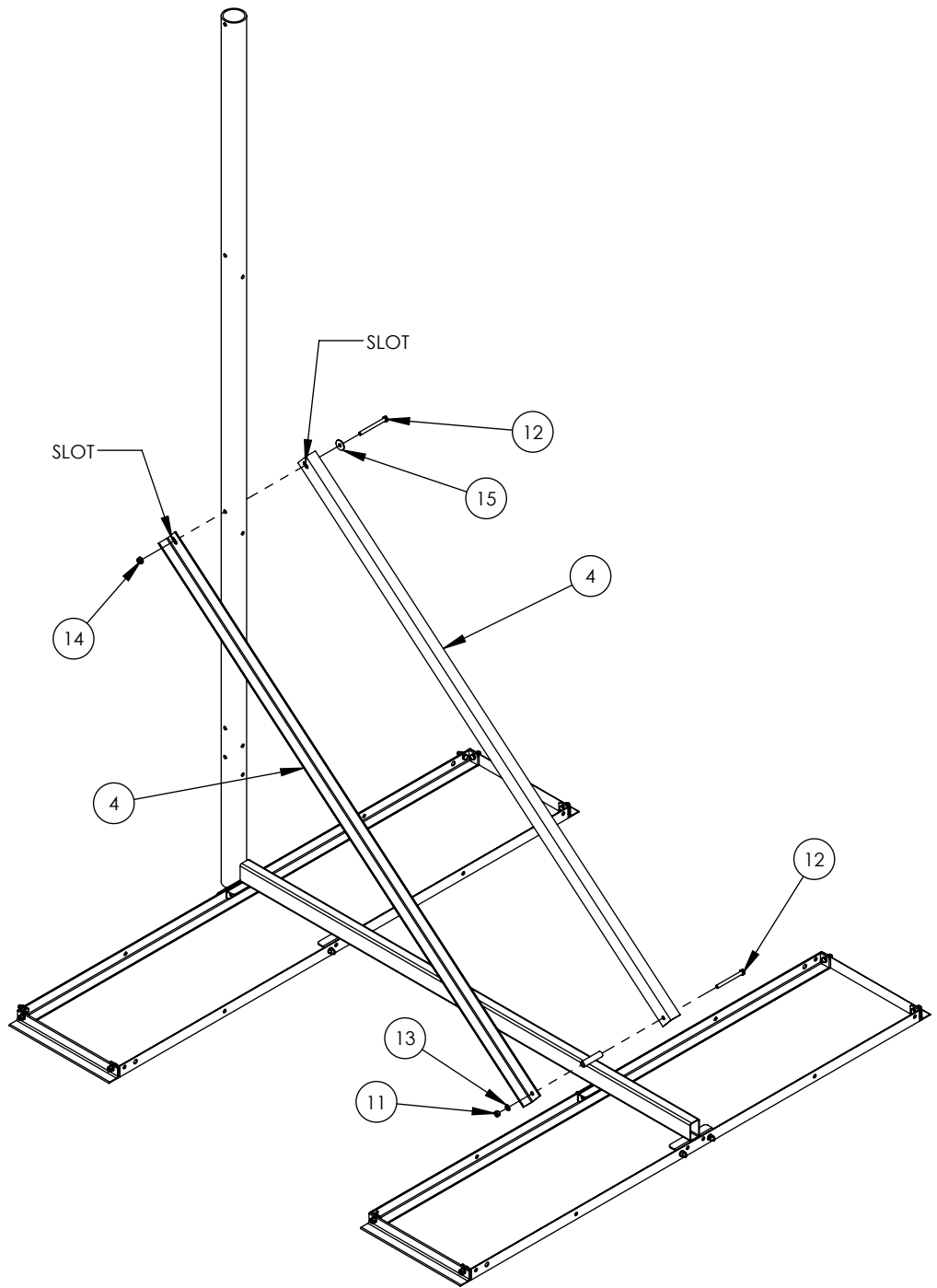
WWW.BAIRD MOUNTS.COM

UNLESS OTHERWISE SPECIFIED:
 DIMENSIONS ARE IN INCHES
 TOLERANCES:
 FRACTIONAL ±
 ANGULAR: MACH ± BEND ±
 TWO PLACE DECIMAL ±
 THREE PLACE DECIMAL ±
 DO NOT SCALE DRAWING

BAIRD MOUNTING SYSTEMS
 WATERLOO, IA 50703
 PHONE: 319-233-3561
 SALES@BAIRD MOUNTS.COM

TITLE:
 B46, LONG BRACE KIT, MAST(ONE SECTION)

DRAWN BY JK	DATE 02/03/22	
MATERIAL -	FINISH -	
DWG. PURPOSE INST	SHEET 3	SCALE -
PART. NO. -		
DWG. NO. B46LBK-288X(000)-R INST		



ATTACH THE REAR BRACES TO THE SUPPORT TUBE USING A 3/8"x4" TAP BOLT(#12), LOCKWASHER(#13 AND NUT(#11). NOTE THE SLOTTED END GOES TOWARDS THE MAST. ATTACH THE REAR BRACES TO THE MAST USING A 3/8"x4" TAP BOLT(#12), FLATWASHER(#15) AND WHIZLOCK NUT (#14).

PROPRIETARY AND CONFIDENTIAL

THE INFORMATION CONTAINED IN THIS DRAWING IS THE SOLE PROPERTY OF BAIRD SUPPORTING SYSTEMS. ANY REPRODUCTION IN PART OR AS A WHOLE WITHOUT THE WRITTEN PERMISSION OF BAIRD SUPPORTING SYSTEMS IS PROHIBITED.



WWW.BAIRD MOUNTS.COM

UNLESS OTHERWISE SPECIFIED:

DIMENSIONS ARE IN INCHES
 TOLERANCES:
 FRACTIONAL ±
 TWO PLACE DECIMAL ±
 THREE PLACE DECIMAL ±
 ANGULAR: MACH ± BEND ±

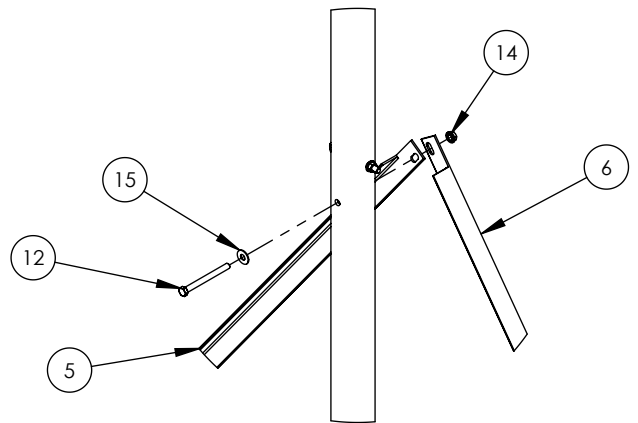
DO NOT SCALE DRAWING

BAIRD MOUNTING SYSTEMS

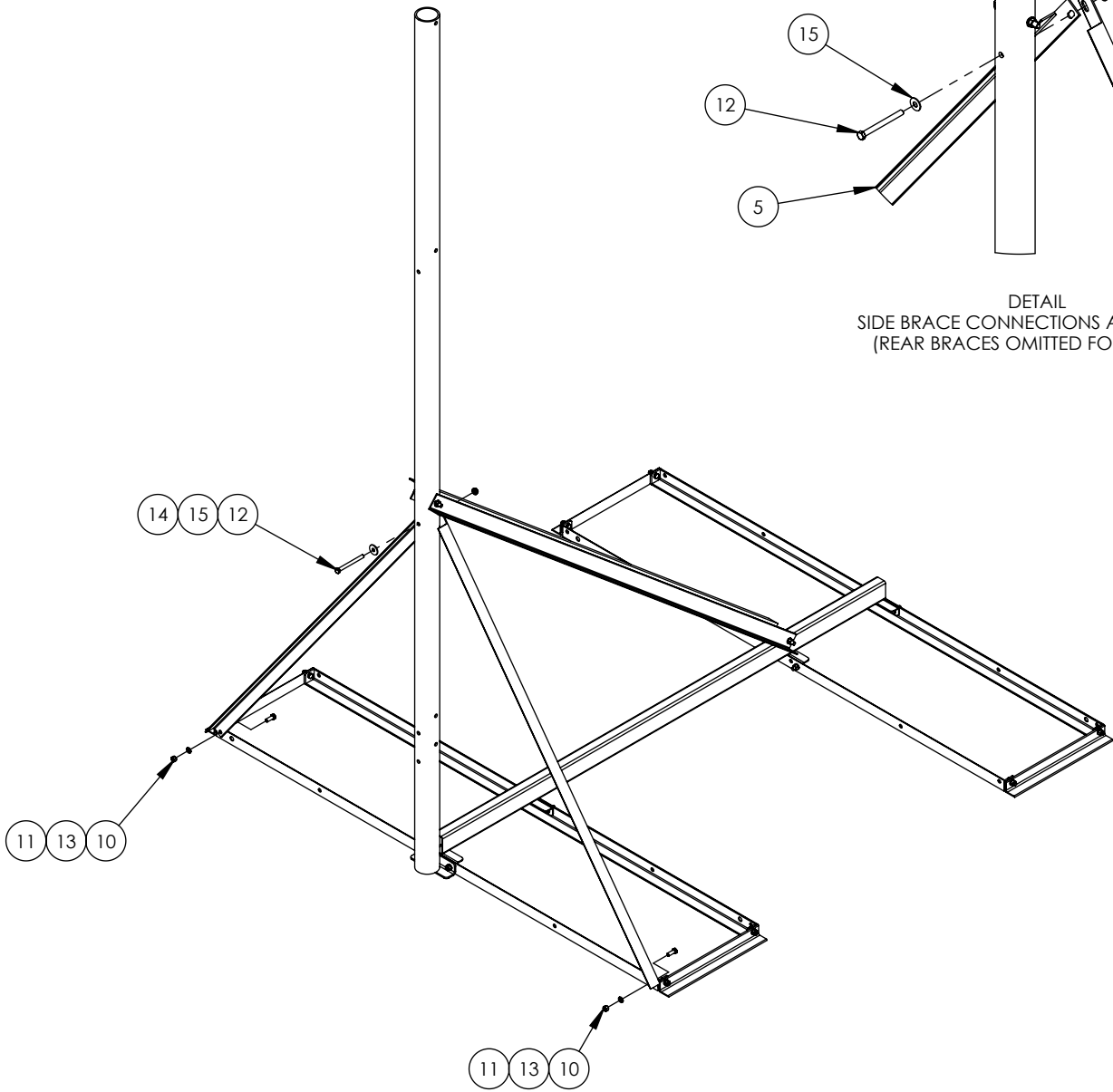
WATERLOO, IA 50703
 PHONE: 319-233-3561
 SALES@BAIRDMOUNTS.COM

TITLE:
 B46, LONG BRACE KIT, MAST(ONE SECTION)

DRAWN BY JK	DATE 02/03/22
MATERIAL -	FINISH -
DWG. PURPOSE INST	SHEET 4
PART. NO. -	SCALE -
DWG. NO. B46LBK-288X(000)-R INST	



DETAIL
SIDE BRACE CONNECTIONS AT MAST PIPE
(REAR BRACES OMITTED FOR CLARITY)



ATTACH THE SLOTTED ENDS OF THE SIDE BRACES(#5) TO THE MAST ASSY AS SHOWN ABOVE USING A 3/8"x4" TAPBOLT(#12), FLATWASHER(#15) &WHIZLOCK NUT(#17). ATTACH THE OTHER END OF EACH SIDE BRACE TO THE BALLAST TRAY USING A 3/8"x1" BOLT , LOCKWASHER AND NUT (#10,#15,#14)

PROPRIETARY AND CONFIDENTIAL

THE INFORMATION CONTAINED IN THIS DRAWING IS THE SOLE PROPERTY OF BAIRD SUPPORTING SYSTEMS. ANY REPRODUCTION IN PART OR AS A WHOLE WITHOUT THE WRITTEN PERMISSION OF BAIRD SUPPORTING SYSTEMS IS PROHIBITED.



WWW.BAIRD MOUNTS.COM

UNLESS OTHERWISE SPECIFIED:
DIMENSIONS ARE IN INCHES
TOLERANCES:
FRACTIONAL ±
ANGULAR: MACH ± BEND ±
TWO PLACE DECIMAL ±
THREE PLACE DECIMAL ±
DO NOT SCALE DRAWING

BAIRD MOUNTING SYSTEMS
WATERLOO, IA 50703
PHONE: 319-233-3561
SALES@BAIRDMOUNTS.COM

TITLE:
B46, LONG BRACE KIT, MAST(ONE SECTION)

DRAWN BY JK	DATE 02/03/22	
MATERIAL -	FINISH -	
DWG. PURPOSE INST	SHEET 5	SCALE -
PART. NO. -	DWG. NO. B46LBK-288X(000)-R INST	