

SYM	PART #	DESCRIPTION	QTY.	
1	AS REQUIRED	B3 MAST ASSY (DIAMETER & LENGTH AS REQ'D), HDG	1	
2	AB0043HD	B3 END FRAME ANGLE- 34.88" LONG, HDG	2	
3	AB0044HD	B3 INNER FRAME ANGLE- 39.75" LONG, HDG	4	
4	B6110LCFHD	CORNER CLIP, HDG	8	
5	AB1621LHHD	LH BRACE ANGLE-28.25"LONG, HDG	2	
6	AB1621RHHD	RH BRACE ANGLE- 28.25" LONG, HDG	1	
HARDWARE KIT: HDWE-B3(R2)	7	H1-0375-100	3/8" x 1" BOLT GR.5, Z/P	17
	8	H2-0375HN	3/8" NUT, Z/P	17
	9	H4-0375LW	3/8" SPLIT-LOCKWASHER, Z/P	17
	10	H1-0375-400TB	3/8" x 4" TAP BOLT (FULLY THREADED)GR.5, Z/P	2
	11	H3-0375FW	3/8" USS FLATWASHER, Z/P	2
	12	H2-0375WN	3/8" WHIZLOCK NUT, Z/P	2
	13		1/8" THICK RUBBER PAD 18"x48"	2

PROPRIETARY AND CONFIDENTIAL

THE INFORMATION CONTAINED IN THIS DRAWING IS THE SOLE PROPERTY OF BAIRD SUPPORTING SYSTEMS. ANY REPRODUCTION IN PART OR AS A WHOLE WITHOUT THE WRITTEN PERMISSION OF BAIRD SUPPORTING SYSTEMS IS PROHIBITED.



WWW.BAIRD MOUNTS.COM

UNLESS OTHERWISE SPECIFIED:

DIMENSIONS ARE IN INCHES
TOLERANCES:
FRACTIONAL ±
ANGULAR: MACH ± BEND ±
TWO PLACE DECIMAL ±
THREE PLACE DECIMAL ±

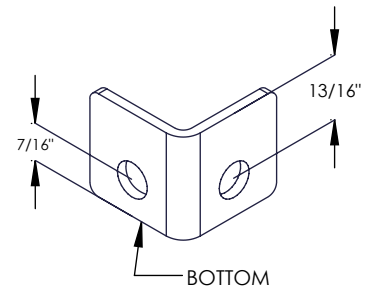
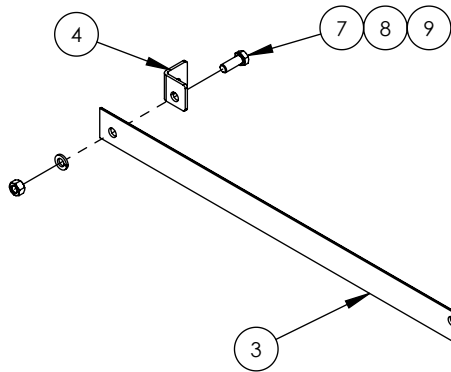
DO NOT SCALE DRAWING

BAIRD MOUNTING SYSTEMS

CEDAR FALLS, IA 50613
PHONE: 319-233-3561
SALES@BAIRDMOUNTS.COM

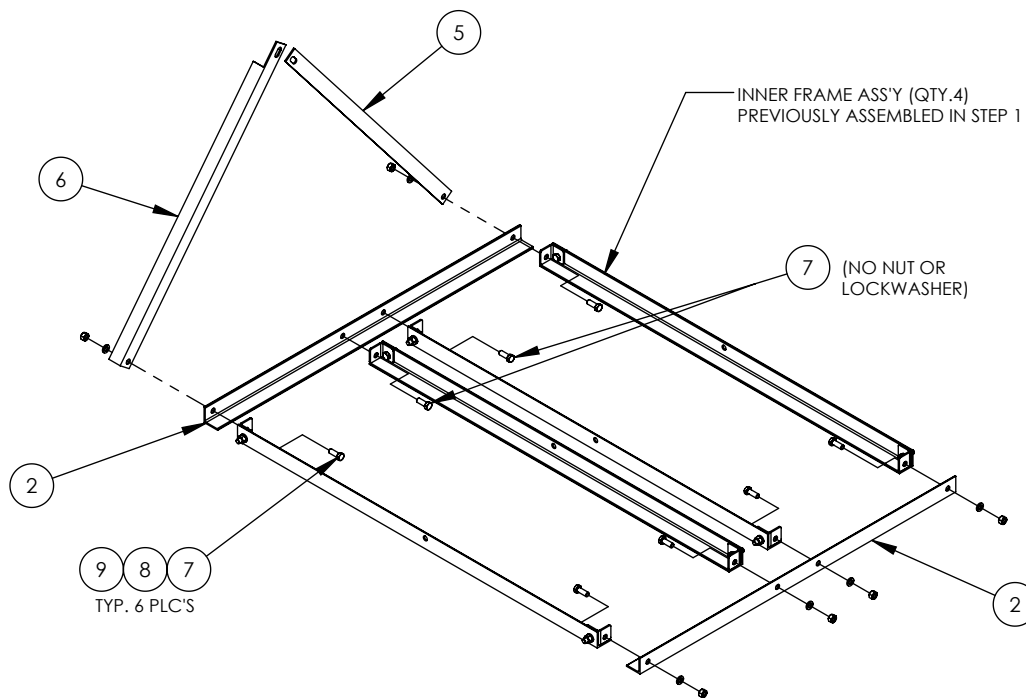
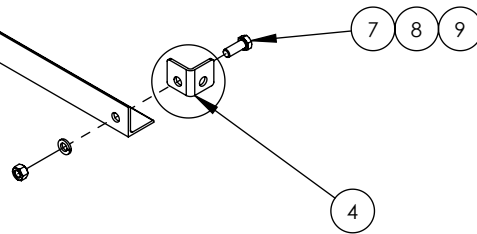
TITLE:
B3-34X40 ,2.37"ODx()'MAST ASS'Y INSTRUCTIONS

DRAWN BY JK	DATE 10/09/14
MATERIAL -	FINISH -
DWG. PURPOSE INST	SHEET 1 OF 4
PART. NO. B3-237X()-R	SCALE -
DWG. NO. B3-237X()-R INST	



DETAIL
CORNER CLIP

ASSEMBLE FOUR INNER FRAME ANGLES AS SHOWN ABOVE WITH AN INNER FRAME ANGLE (#3), TWO CLIPS (#4) AND TWO 3/8"x1" BOLTS (#7), NUTS (#8) & LOCKWASHERS (#9).



ASSEMBLE THE INNER FRAME ASSEMBLIES TO THE FRAME END ANGLES (#2) USING 3/8"x1" BOLTS, NUTS AND LOCKWASHERS (#7,#8,#9). ALSO, ATTACH THE RH & LH SIDE BRACES (#5, #6). SEE DIAGRAM ABOVE.

PROPRIETARY AND CONFIDENTIAL

THE INFORMATION CONTAINED IN THIS DRAWING IS THE SOLE PROPERTY OF BAIRD SUPPORTING SYSTEMS. ANY REPRODUCTION IN PART OR AS A WHOLE WITHOUT THE WRITTEN PERMISSION OF BAIRD SUPPORTING SYSTEMS IS PROHIBITED.



WWW.BAIRD MOUNTS.COM

UNLESS OTHERWISE SPECIFIED:

DIMENSIONS ARE IN INCHES
TOLERANCES:
FRACTIONAL ±
ANGULAR: MACH ± BEND ±
TWO PLACE DECIMAL ±
THREE PLACE DECIMAL ±

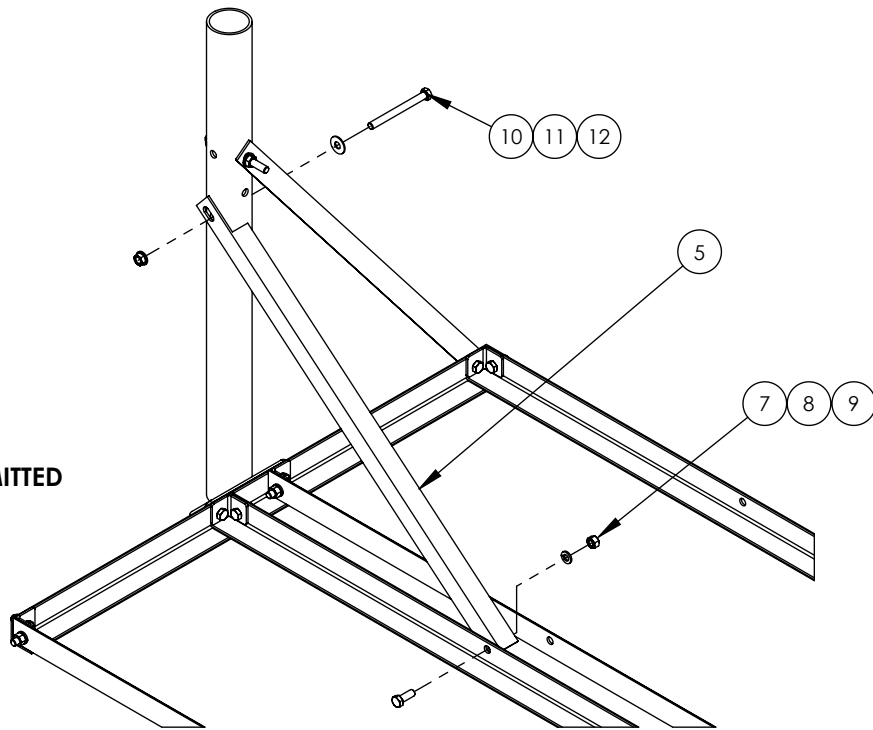
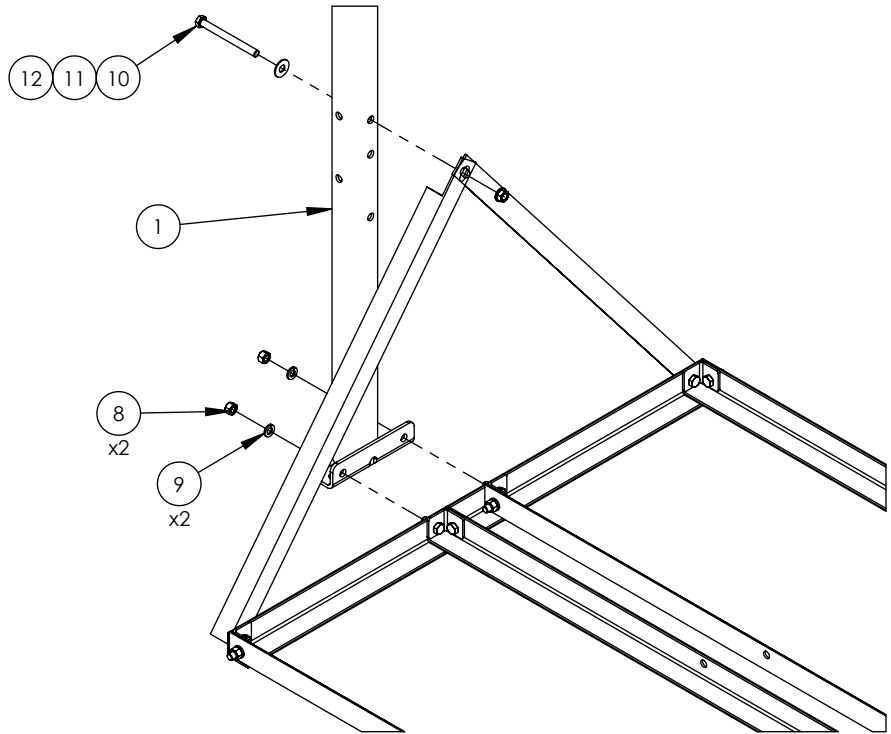
DO NOT SCALE DRAWING

BAIRD MOUNTING SYSTEMS

CEDAR FALLS, IA 50613
PHONE: 319-233-3561
SALES@BAIRD MOUNTS.COM

TITLE:
B3-34X40 ,2.37"ODx()'MAST ASS'Y INSTRUCTIONS

DRAWN BY JK	DATE 10/09/14
MATERIAL -	FINISH -
DWG. PURPOSE INST	SHEET 2OF3
	SCALE -
PART. NO. B3-237X()-R	
DWG. NO. B3-237X()-R INST	



RH SIDE BRACE OMITTED FOR CLARITY

PROPRIETARY AND CONFIDENTIAL

THE INFORMATION CONTAINED IN THIS DRAWING IS THE SOLE PROPERTY OF BAIRD SUPPORTING SYSTEMS. ANY REPRODUCTION IN PART OR AS A WHOLE WITHOUT THE WRITTEN PERMISSION OF BAIRD SUPPORTING SYSTEMS IS PROHIBITED.



WWW.BAIRD MOUNTS.COM

UNLESS OTHERWISE SPECIFIED:

DIMENSIONS ARE IN INCHES
 TOLERANCES:
 FRACTIONAL ±
 ANGULAR: MACH ± BEND ±
 TWO PLACE DECIMAL ±
 THREE PLACE DECIMAL ±

DO NOT SCALE DRAWING

BAIRD MOUNTING SYSTEMS

CEDAR FALLS, IA 50613
 PHONE: 319-233-3561
 SALES@BAIRDMOUNTS.COM

TITLE:
 B3-34X40 ,2.37"ODx()'MAST ASS'Y INSTRUCTIONS

DRAWN BY JK	DATE 10/09/14	
MATERIAL -	FINISH -	
DWG. PURPOSE INST	SHEET 3OF3	SCALE -
PART. NO. B3-237X()-R		
DWG. NO. B3-237X()-R INST		