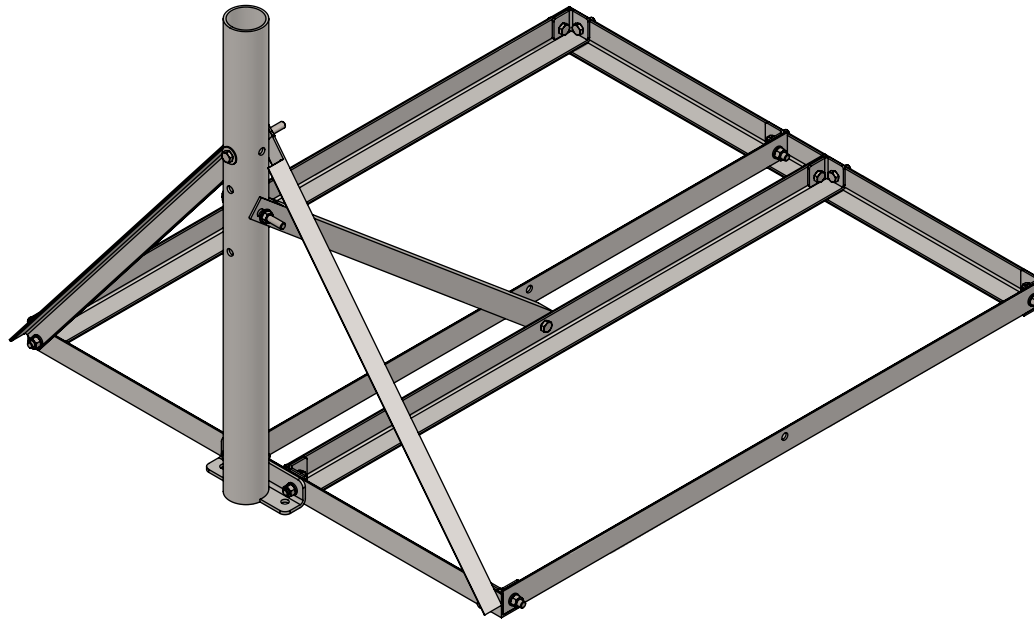


PART NO.	MAST DIAMETER	WEIGHT
B3-200X25	2"OD	39 lbs.
B3-237X25	2.37"OD	42 lbs.
B3-288X25	2.88"OD	48 lbs.



**PROPRIETARY AND CONFIDENTIAL**  
 THE INFORMATION CONTAINED IN THIS DRAWING IS THE SOLE PROPERTY OF BAIRD SUPPORTING SYSTEMS. ANY REPRODUCTION IN PART OR AS A WHOLE WITHOUT THE WRITTEN PERMISSION OF BAIRD SUPPORTING SYSTEMS IS PROHIBITED.



WWW.BAIRD MOUNTS.COM

UNLESS OTHERWISE SPECIFIED:  
 DIMENSIONS ARE IN INCHES  
 TOLERANCES:  
 FRACTIONAL ±  
 ANGULAR: MACH ± BEND ±  
 TWO PLACE DECIMAL ±  
 THREE PLACE DECIMAL ±

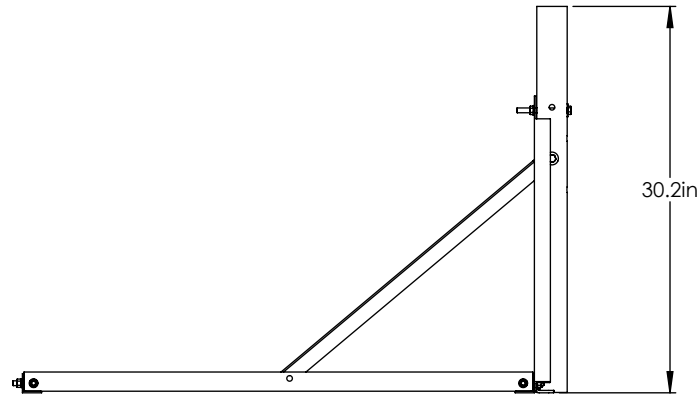
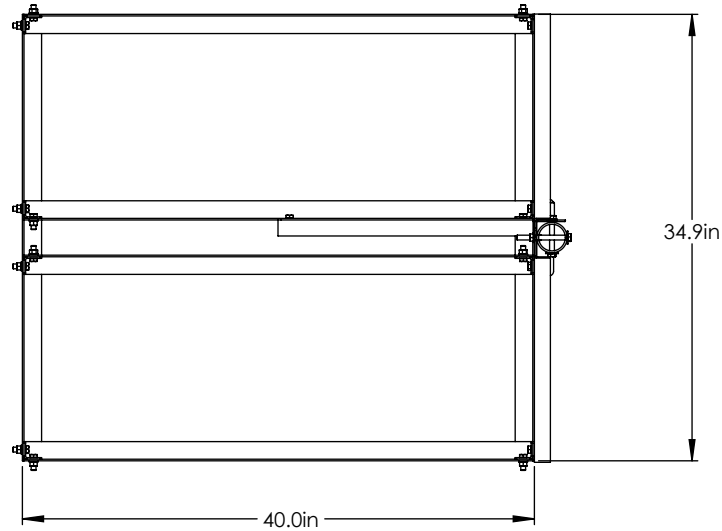
DO NOT SCALE DRAWING

**BAIRD MOUNTING SYSTEMS**

CEDAR FALLS, IA 50613  
 PHONE: 319-233-3561  
 SALES@BAIRD MOUNTS.COM

TITLE:  
 B3-34X40 MOUNT WITH 2.5' MAST

DRAWN BY JK	DATE 05/03/13
MATERIAL STEEL	FINISH HDG
DWG. PURPOSE CUSTOMER	SHEET 1 OF 2
SCALE -	
PART. NO. SEE TABLE	
DWG. NO. B3-(000)X25	



**PROPRIETARY AND CONFIDENTIAL**  
 THE INFORMATION CONTAINED IN THIS DRAWING IS THE SOLE PROPERTY OF BAIRD SUPPORTING SYSTEMS. ANY REPRODUCTION IN PART OR AS A WHOLE WITHOUT THE WRITTEN PERMISSION OF BAIRD SUPPORTING SYSTEMS IS PROHIBITED.



WWW.BAIRD MOUNTS.COM

UNLESS OTHERWISE SPECIFIED:  
 DIMENSIONS ARE IN INCHES  
 TOLERANCES:  
 FRACTIONAL ±  
 ANGULAR: MACH ± BEND ±  
 TWO PLACE DECIMAL ±  
 THREE PLACE DECIMAL ±

DO NOT SCALE DRAWING

**BAIRD MOUNTING SYSTEMS**

CEDAR FALLS, IA 50613  
 PHONE: 319-233-3561  
 SALES@BAIRD MOUNTS.COM

TITLE:  
 B3-34X40 MOUNT WITH 2.5' MAST

DRAWN BY JK	DATE 05/03/13	
MATERIAL STEEL	FINISH HDG	
DWG. PURPOSE CUSTOMER	SHEET 2 OF 2	SCALE -

PART. NO.  
 SEE TABLE-SHEET 1  
 DWG. NO.  
 B3-(000)X25