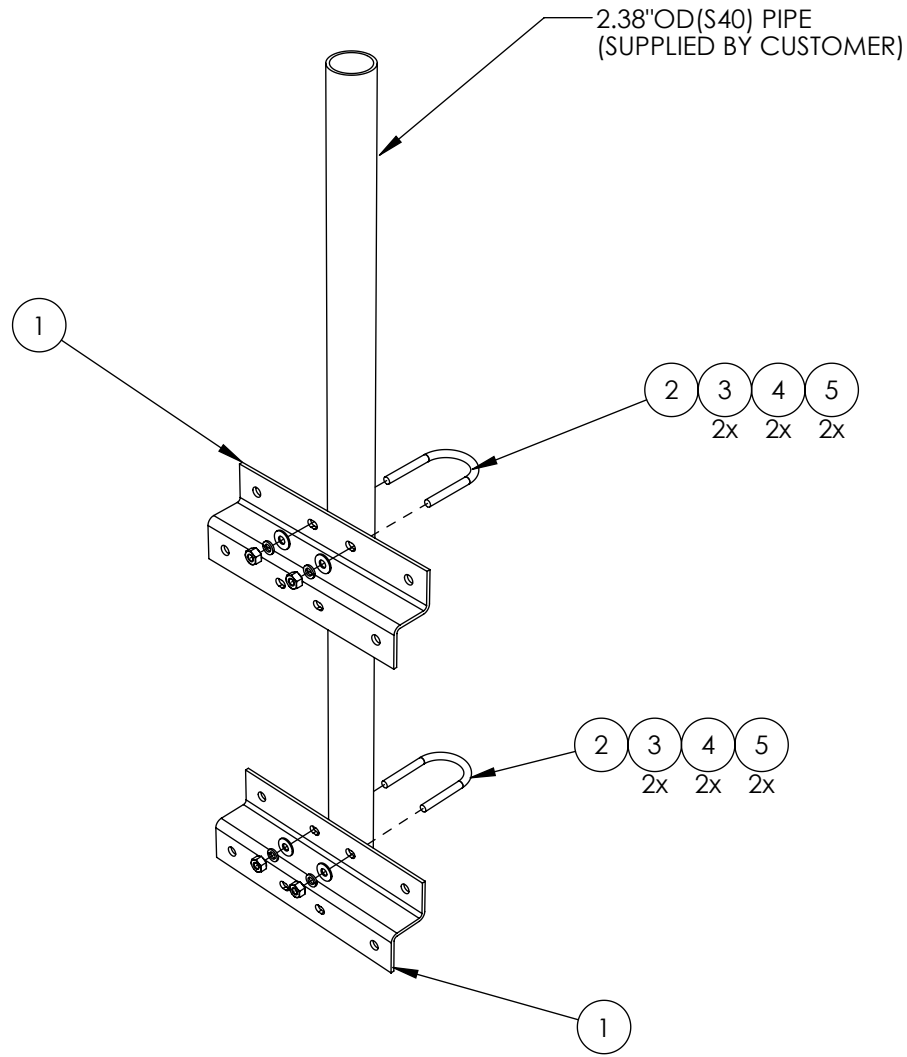


SYM	PART NO.	DESCRIPTION	QTY.
1	AB5940HD	AWM MOUNTING ANGLE FORMED 16", HDG	2
2	HUB-50X250X450HDG	1/2" DIA.x2.5"Wx4.5"D UBOLT, HDG	2
3	H2-0500HN2HHDG	1/2" NUT 2H, HDG	4
4	H4-0500LWHDG	1/2" SPLITLOCKWASHER, HDG	4
5	H3-0500FWHDG	1/2" FLATWASHER, HDG	4



**PROPRIETARY AND CONFIDENTIAL**  
 THE INFORMATION CONTAINED IN THIS DRAWING IS THE SOLE PROPERTY OF BAIRD SUPPORTING SYSTEMS. ANY REPRODUCTION IN PART OR AS A WHOLE WITHOUT THE WRITTEN PERMISSION OF BAIRD SUPPORTING SYSTEMS IS PROHIBITED.



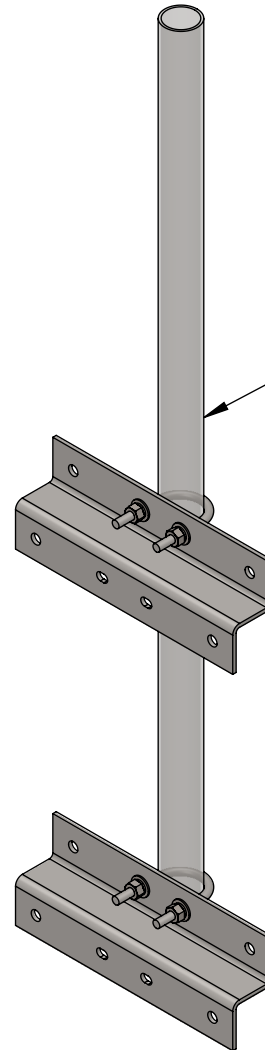
WWW.BAIRD MOUNTS.COM

UNLESS OTHERWISE SPECIFIED:  
 DIMENSIONS ARE IN INCHES  
 TOLERANCES:  
 FRACTIONAL ±  
 TWO PLACE DECIMAL ±  
 THREE PLACE DECIMAL ±  
 ANGULAR: MACH ± BEND ±  
 DO NOT SCALE DRAWING

**BAIRD MOUNTING SYSTEMS**  
 WATERLOO, IA 50703  
 PHONE: 319-233-3561  
 SALES@BAIRD MOUNTS.COM

TITLE:  
 AWM-3OS16-238 INST

DRAWN BY JK	DATE 10/24/16
MATERIAL STEEL	FINISH HDG
DWG. PURPOSE INST	SHEET 1 OF 1
PART. NO. -	SCALE -
DWG. NO. AWM-3OS16-238 INST R1	



2.38"OD MOUNTING PIPE  
(ORDERED SEPERATELY)

WEIGHT: 20.3 LBS.

**PROPRIETARY AND CONFIDENTIAL**  
THE INFORMATION CONTAINED IN THIS DRAWING IS THE SOLE PROPERTY OF BAIRD SUPPORTING SYSTEMS. ANY REPRODUCTION IN PART OR AS A WHOLE WITHOUT THE WRITTEN PERMISSION OF BAIRD SUPPORTING SYSTEMS IS PROHIBITED.



WWW.BAIRD MOUNTS.COM

UNLESS OTHERWISE SPECIFIED:  
DIMENSIONS ARE IN INCHES  
TOLERANCES:  
FRACTIONAL ±  
ANGULAR: MACH ± BEND ±  
TWO PLACE DECIMAL ±  
THREE PLACE DECIMAL ±

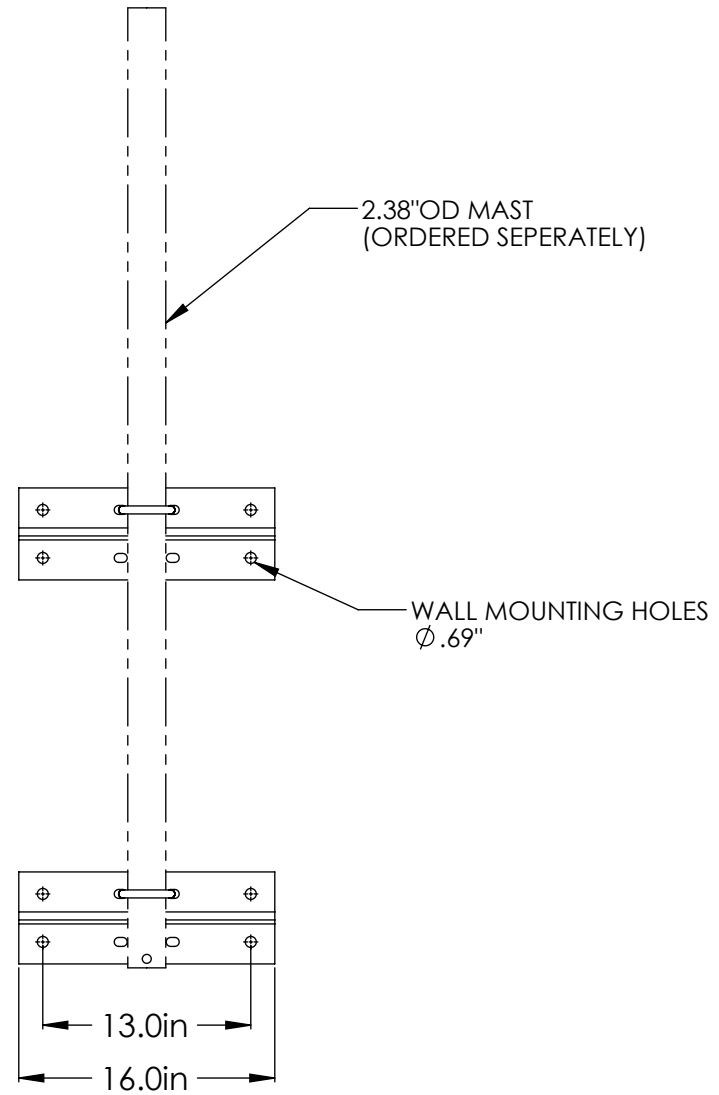
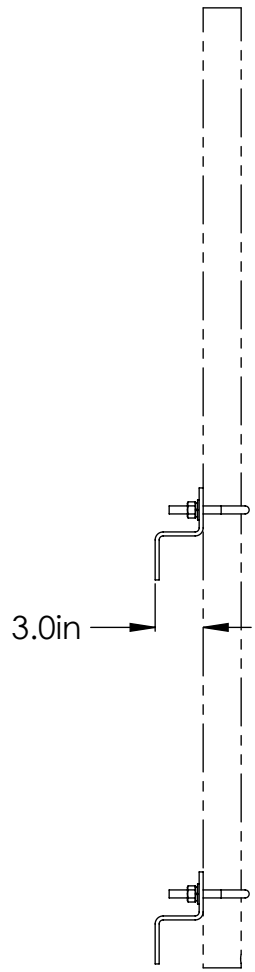
DO NOT SCALE DRAWING

**BAIRD MOUNTING SYSTEMS**

WATERLOO, IA 50703  
PHONE: 319-233-3561  
SALES@BAIRD MOUNTS.COM

TITLE:  
ANGLE WALL MOUNT, 3"OFFSET,  
FOR 2.38"OD MAST

DRAWN BY JK	DATE 11/16/14	
MATERIAL STEEL	FINISH HDG	
DWG. PURPOSE CUSTOMER	SHEET 1 OF 2	SCALE -
PART. NO. AWM-3OS16-238		
DWG. NO. AWM-3OS16-238		



**PROPRIETARY AND CONFIDENTIAL**  
 THE INFORMATION CONTAINED IN THIS DRAWING IS THE SOLE PROPERTY OF BAIRD SUPPORTING SYSTEMS. ANY REPRODUCTION IN PART OR AS A WHOLE WITHOUT THE WRITTEN PERMISSION OF BAIRD SUPPORTING SYSTEMS IS PROHIBITED.



UNLESS OTHERWISE SPECIFIED:  
 DIMENSIONS ARE IN INCHES  
 TOLERANCES:  
 FRACTIONAL ±  
 ANGULAR: MACH ± BEND ±  
 TWO PLACE DECIMAL ±  
 THREE PLACE DECIMAL ±

DO NOT SCALE DRAWING

**BAIRD MOUNTING SYSTEMS**  
 WATERLOO, IA 50703  
 PHONE: 319-233-3561  
 SALES@BAIRD MOUNTS.COM

TITLE:  
 ANGLE WALL MOUNT, 3"OFFSET,  
 FOR 2.38"OD MAST

DRAWN BY JK	DATE 11/16/14	
MATERIAL STEEL	FINISH HDG	
DWG. PURPOSE CUSTOMER	SHEET 2OF2	SCALE -
PART. NO. AWM-3OS16-238		
DWG. NO. AWM-3OS16-238		