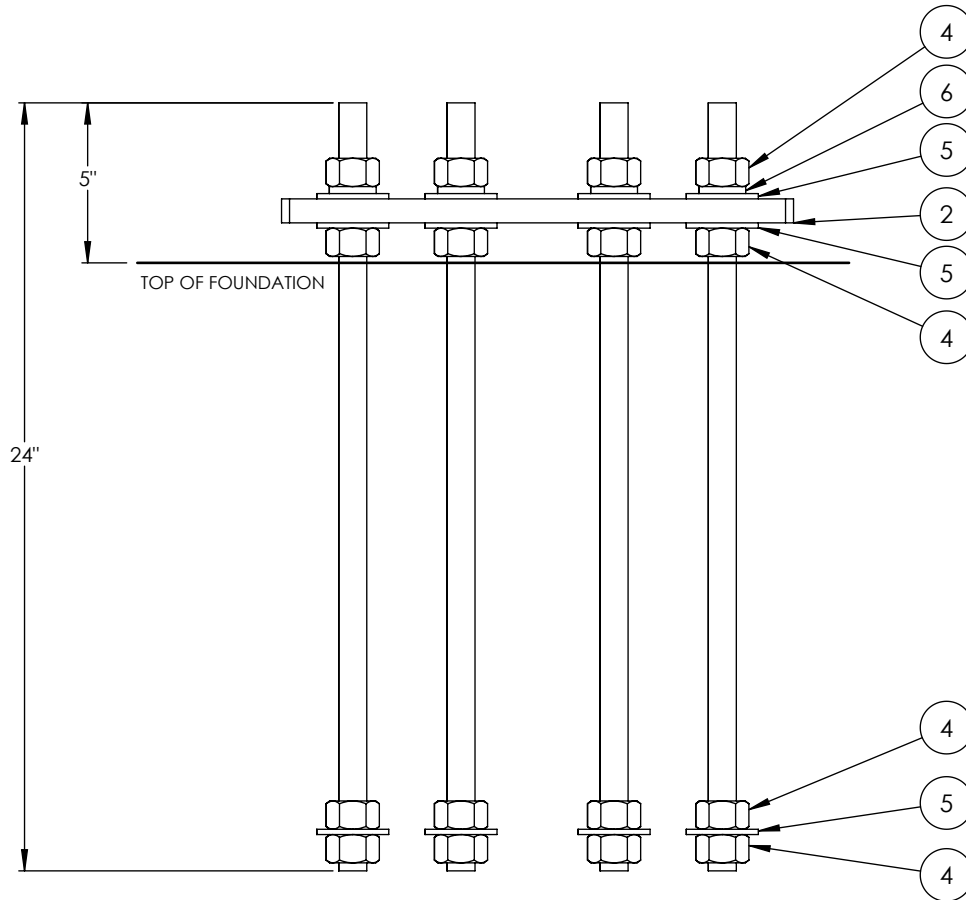


# PK(000)HX6BC125C1

ITEM NO.	PART NUMBER	DESCRIPTION	QTY.
1	AS REQ'D	X.XX" ODx 6' PEDESTAL, HDG	1
2	B5547(8X.87D-125BC)WT	WOOD TEMPLATE 16x16	1
3	.875TRODA449HDG	7/8"-9 x 24" THREADED ROD A449, HDG	8
4	H2-0875HN2HHDG	7/8"-9 HEX NUT GR.2H, HDG	32
5	H3-0875FWHDG	7/8" USS FLATWASHER, HDG	24
6	H4-0875LWHDG	7/8" SPLIT LOCKWASHER, HDG	8



On one end of each rod attach a flatwasher sandwiched between two hex nuts. Attach the the other end of the rod to the wood template as shown in the diagram . The wood template will help the keep the rods aligned. When pouring the concrete keep the top 5" of thread clean.

**PROPRIETARY AND CONFIDENTIAL**

THE INFORMATION CONTAINED IN THIS DRAWING IS THE SOLE PROPERTY OF BAIRD SUPPORTING SYSTEMS. ANY REPRODUCTION IN PART OR AS A WHOLE WITHOUT THE WRITTEN PERMISSION OF BAIRD SUPPORTING SYSTEMS IS PROHIBITED.



WWW.BAIRD MOUNTS.COM

UNLESS OTHERWISE SPECIFIED:

DIMENSIONS ARE IN INCHES  
 TOLERANCES:  
 FRACTIONAL ±  
 ANGULAR: MACH ± BEND ±  
 TWO PLACE DECIMAL ±  
 THREE PLACE DECIMAL ±

DO NOT SCALE DRAWING

**BAIRD MOUNTING SYSTEMS**

WATERLOO, IA 50703  
 PHONE: 319-233-3561  
 SALES@BAIRDMOUNTS.COM

TITLE:

6' PEDESTAL KIT 2.4m-3.7m  
 (SCHEDULE 80 PIPE)

DRAWN BY

JK

MATERIAL

-

DWG. PURPOSE

INST

DATE

09/26/14

FINISH

-

SHEET

1 OF 2

SCALE

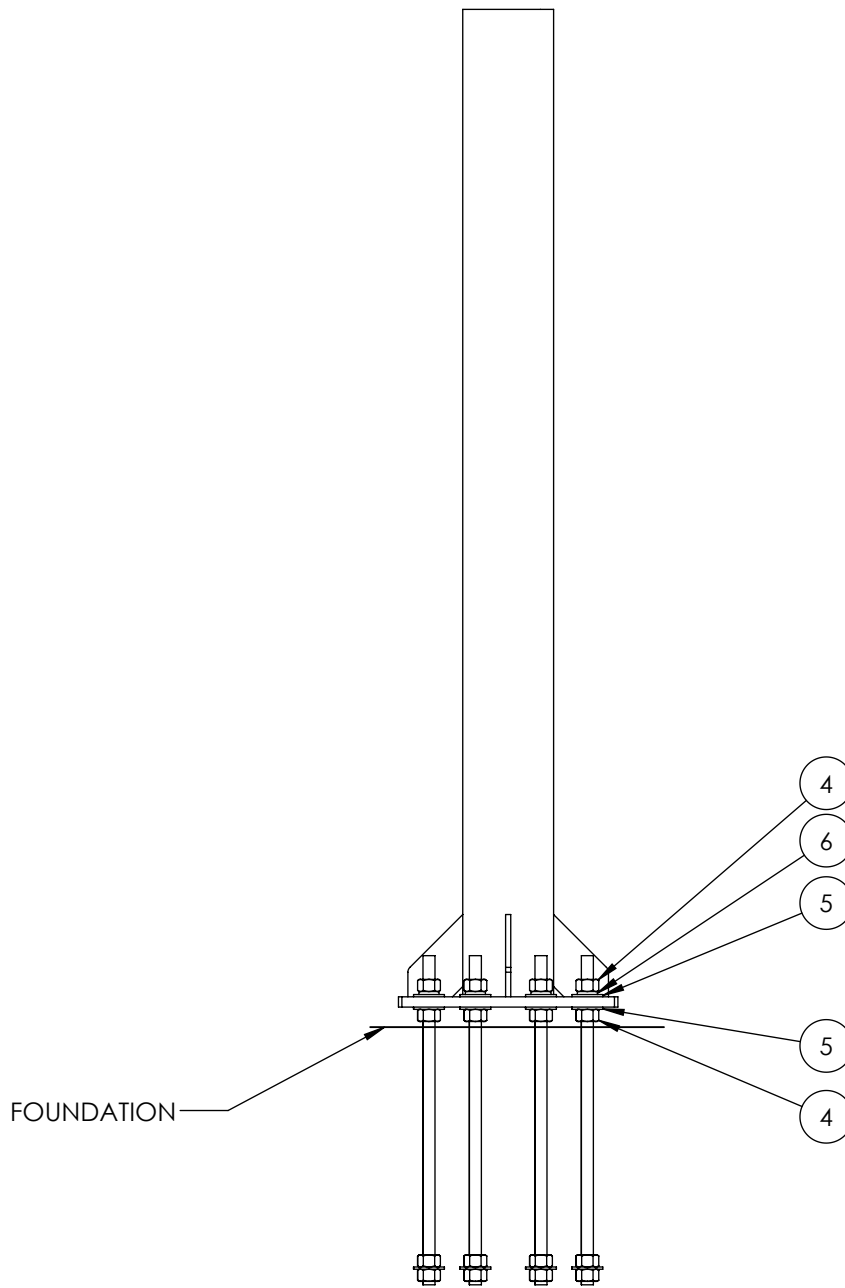
-

PART. NO.

PK(000)HX6BC125C1

DWG. NO.

PK(000)HX6BC125C1 INST



Remove the wood template after the concrete has cured. Clean the exposed threads and turn a nut all the way down to the top of the concrete on each rod. Set the pedestal and tighten hardware. See the drawing above.

**PROPRIETARY AND CONFIDENTIAL**

THE INFORMATION CONTAINED IN THIS DRAWING IS THE SOLE PROPERTY OF BAIRD SUPPORTING SYSTEMS. ANY REPRODUCTION IN PART OR AS A WHOLE WITHOUT THE WRITTEN PERMISSION OF BAIRD SUPPORTING SYSTEMS IS PROHIBITED.



WWW.BAIRD MOUNTS.COM

UNLESS OTHERWISE SPECIFIED:

DIMENSIONS ARE IN INCHES  
 TOLERANCES:  
 FRACTIONAL ±  
 ANGULAR: MACH ± BEND ±  
 TWO PLACE DECIMAL ±  
 THREE PLACE DECIMAL ±

DO NOT SCALE DRAWING

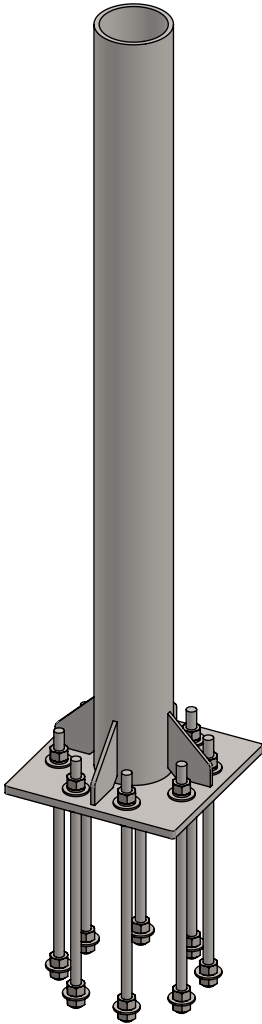
**BAIRD MOUNTING SYSTEMS**

WATERLOO, IA 50703  
 PHONE: 319-233-3561  
 SALES@BAIRDMOUNTS.COM

TITLE:  
 6' PEDESTAL KIT 2.4m-3.7m  
 (SCHEDULE 80 PIPE)

DRAWN BY JK	DATE 09/26/14	
MATERIAL -	FINISH -	
DWG. PURPOSE INST	SHEET 2 OF 2	SCALE -
PART. NO. PK(000)HX6BC125C1		
DWG. NO. PK(000)HX6BC125C1 INST		

PART NO.	MAST DIAMETER	WEIGHT
PK550HX6BC125C1	5.50"OD	226 lbs.
PK662HX6BC125C1	6.62"OD	277 lbs.



**PROPRIETARY AND CONFIDENTIAL**  
 THE INFORMATION CONTAINED IN THIS DRAWING IS THE SOLE PROPERTY OF BAIRD SUPPORTING SYSTEMS. ANY REPRODUCTION IN PART OR AS A WHOLE WITHOUT THE WRITTEN PERMISSION OF BAIRD SUPPORTING SYSTEMS IS PROHIBITED.



WWW.BAIRD MOUNTS.COM

UNLESS OTHERWISE SPECIFIED:  
 DIMENSIONS ARE IN INCHES  
 TOLERANCES:  
 FRACTIONAL ±  
 ANGULAR: MACH ± BEND ±  
 TWO PLACE DECIMAL ±  
 THREE PLACE DECIMAL ±

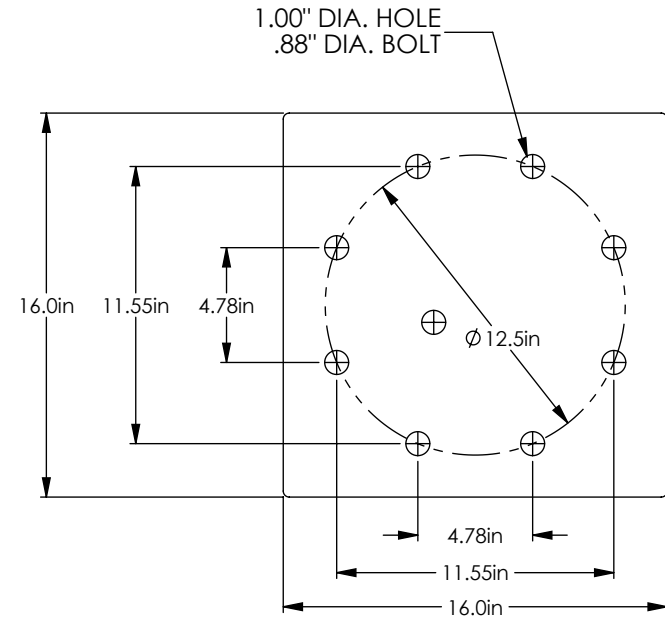
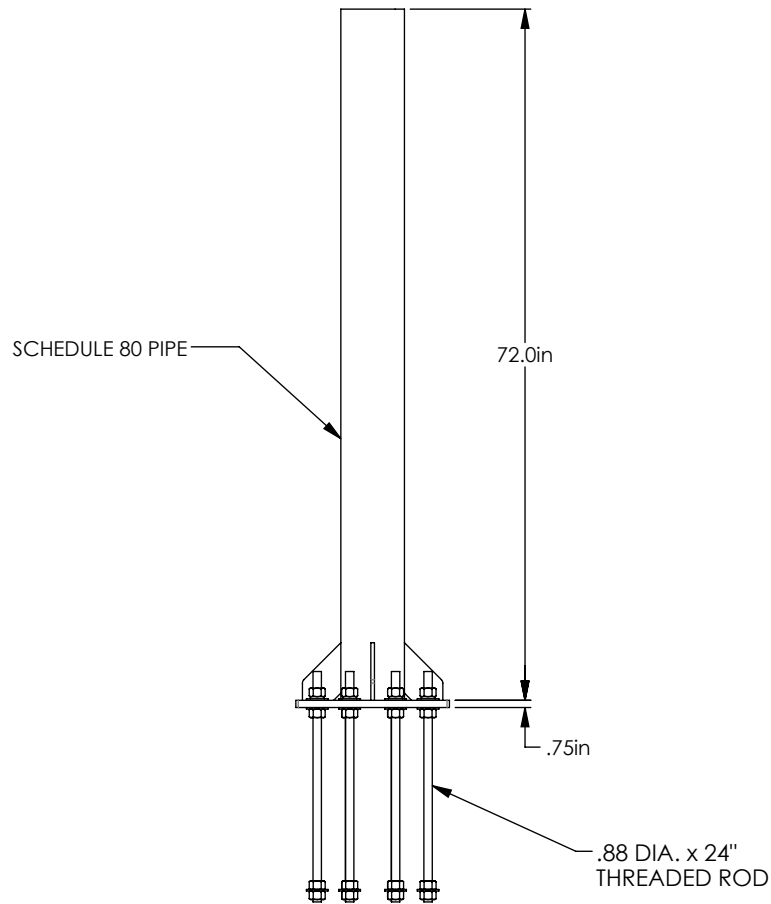
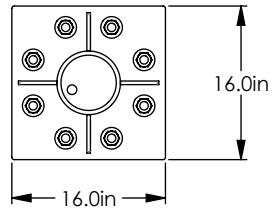
DO NOT SCALE DRAWING

**BAIRD MOUNTING SYSTEMS**

WATERLOO, IA 50703  
 PHONE: 319-233-3561  
 SALES@BAIRD MOUNTS.COM

DESCRIPTION:  
 6' PEDESTAL KIT 2.4m-3.7m  
 (SCHEDULE 80 PIPE)

DRAWN BY JK	DATE 06/13/13	
MATERIAL STEEL	FINISH HDG	
DWG. PURPOSE CUSTOMER	SHEET 1OF2	SCALE -
PART. NO. SEE TABLE		
DWG. NO. PK(000)H-6BC125C1		



BASE PLATE DETAIL

**PROPRIETARY AND CONFIDENTIAL**  
 THE INFORMATION CONTAINED IN THIS DRAWING IS THE SOLE PROPERTY OF BAIRD SUPPORTING SYSTEMS. ANY REPRODUCTION IN PART OR AS A WHOLE WITHOUT THE WRITTEN PERMISSION OF BAIRD SUPPORTING SYSTEMS IS PROHIBITED.



WWW.BAIRDMOUNTS.COM

UNLESS OTHERWISE SPECIFIED:  
 DIMENSIONS ARE IN INCHES  
 TOLERANCES:  
 FRACTIONAL ±  
 ANGULAR: MACH ± BEND ±  
 TWO PLACE DECIMAL ±  
 THREE PLACE DECIMAL ±

DO NOT SCALE DRAWING

**BAIRD MOUNTING SYSTEMS**

WATERLOO, IA 50703  
 PHONE: 319-233-3561  
 SALES@BAIRDMOUNTS.COM

DESCRIPTION:  
 6' PEDESTAL KIT 2.4m-3.7m  
 (SCHEDULE 80 PIPE)

DRAWN BY JK	DATE 06/10/13
MATERIAL STEEL	FINISH HDG
DWG. PURPOSE CUSTOMER	SHEET 2OF2
SCALE -	
PART. NO. SEE TABLE-SHEET 1	
DWG. NO. PK(000)H-6BC125C1	