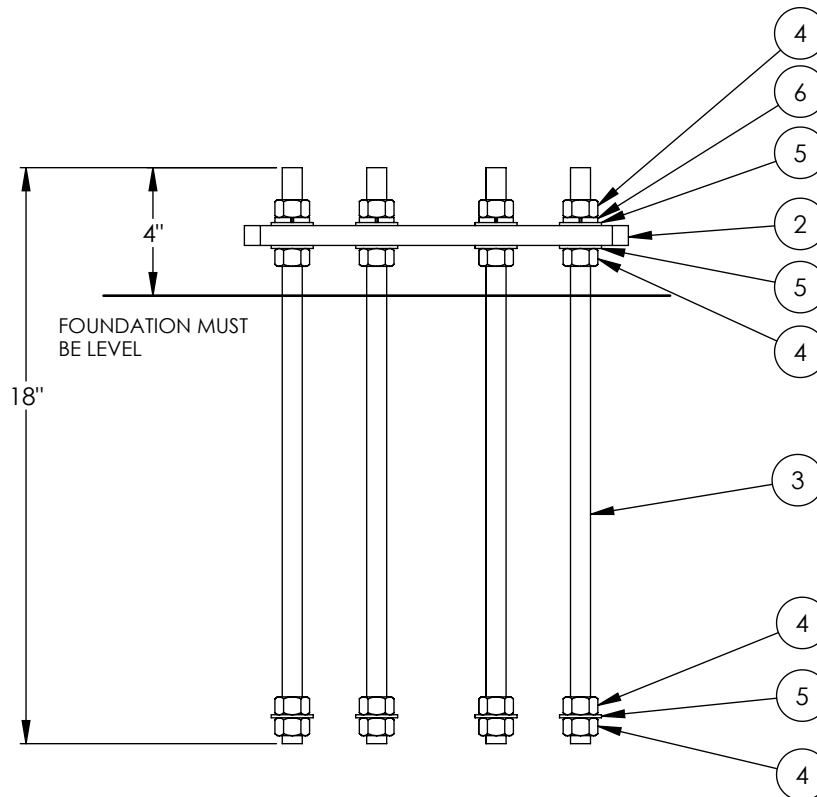


PK(000)X4BC975C1

ITEM NO.	PART NUMBER	DESCRIPTION	QTY.
1	AS REQ'D	(X.XX)" OD(S40)x4' PEDESTAL , HDG	1
2	B1268(.62)8X.62DIA-975BCWT	WOOD TEMPLATE 12x12	1
3	.62TRODA449HDG	5/8" x18" THREADED ROD A449, HDG	8
4	H2-0625HN2HHDG	5/8" HVY.HEX NUT GR.2H, HDG	32
5	H3-0625FWHDG	5/8" USS FLATWASHER, HDG	24
6	H4-0625LWHDG	5/8" SPLIT LOCKWASHER, HDG	8



On one end of each rod attach a flatwasher sandwiched between two hex nuts. Attach the the other end of the rod to the wood template as shown in the diagram . The wood template will help the keep the rods aligned. When pouring the concrete keep the top 4" of thread clean.

PROPRIETARY AND CONFIDENTIAL

THE INFORMATION CONTAINED IN THIS DRAWING IS THE SOLE PROPERTY OF BAIRD SUPPORTING SYSTEMS. ANY REPRODUCTION IN PART OR AS A WHOLE WITHOUT THE WRITTEN PERMISSION OF BAIRD SUPPORTING SYSTEMS IS PROHIBITED.



WWW.BAIRD MOUNTS.COM

UNLESS OTHERWISE SPECIFIED:

DIMENSIONS ARE IN INCHES
 TOLERANCES:
 FRACTIONAL ±
 ANGULAR: MACH ± BEND ±
 TWO PLACE DECIMAL ±
 THREE PLACE DECIMAL ±

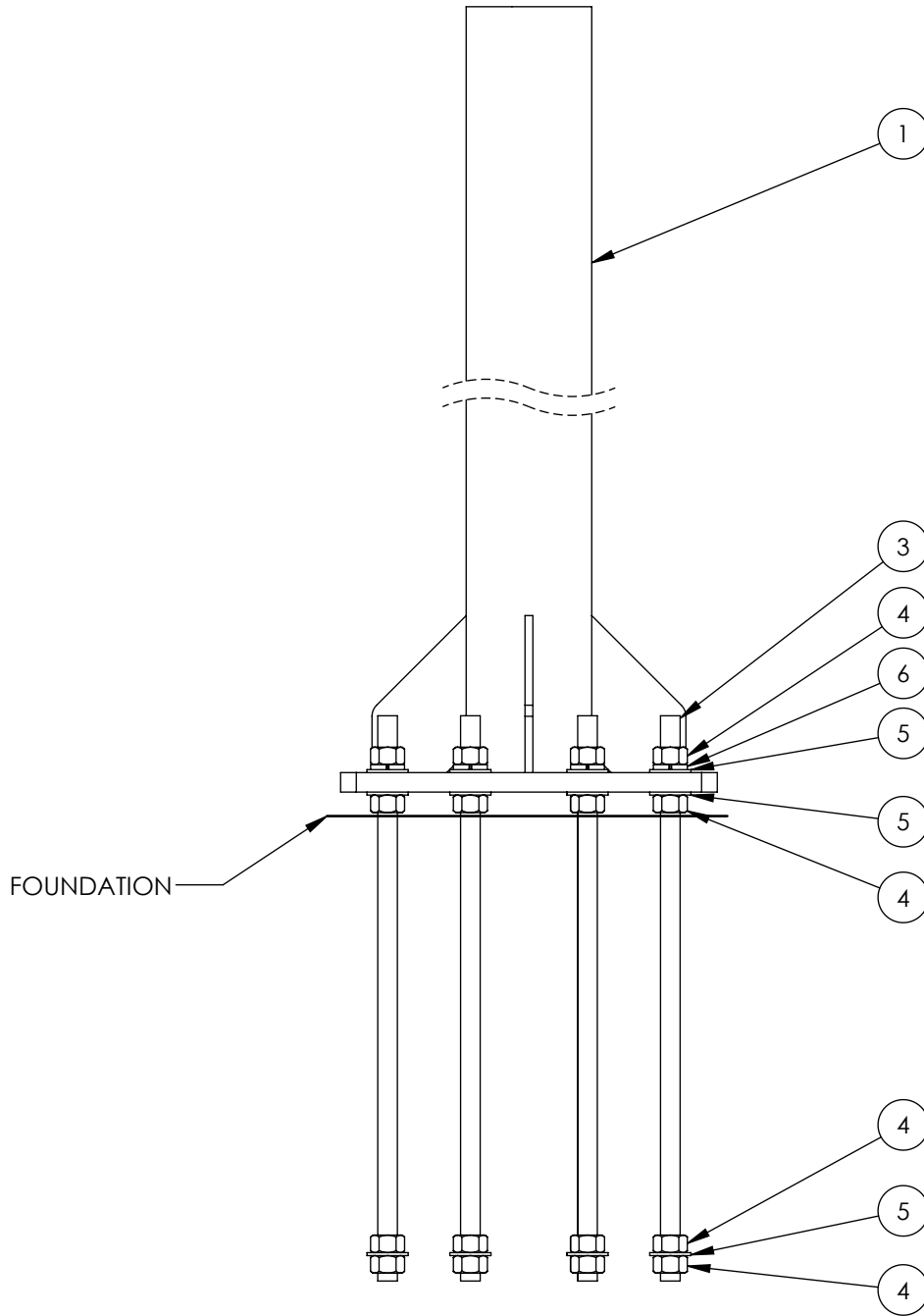
DO NOT SCALE DRAWING

BAIRD MOUNTING SYSTEMS

WATERLOO, IA 50703
 PHONE: 319-233-3561
 SALES@BAIRDMOUNTS.COM

TITLE:
 4' PEDESTAL KIT 1.8m

DRAWN BY JK	DATE 07/28/15
MATERIAL -	FINISH -
DWG. PURPOSE INST	SHEET 1 OF 2
SCALE -	
PART. NO. PK(000)X4BC975C1	
DWG. NO. PK(000)X4BC975C1 -INST	



Remove the wood template after the concrete has cured. Clean the exposed threads and turn a nut all the way down to the top of the concrete on each rod. Set the pedestal and tighten hardware. See the drawing above.

PROPRIETARY AND CONFIDENTIAL

THE INFORMATION CONTAINED IN THIS DRAWING IS THE SOLE PROPERTY OF BAIRD SUPPORTING SYSTEMS. ANY REPRODUCTION IN PART OR AS A WHOLE WITHOUT THE WRITTEN PERMISSION OF BAIRD SUPPORTING SYSTEMS IS PROHIBITED.



WWW.BAIRD MOUNTS.COM

UNLESS OTHERWISE SPECIFIED:

DIMENSIONS ARE IN INCHES
 TOLERANCES:
 FRACTIONAL ±
 ANGULAR: MACH ± BEND ±
 TWO PLACE DECIMAL ±
 THREE PLACE DECIMAL ±

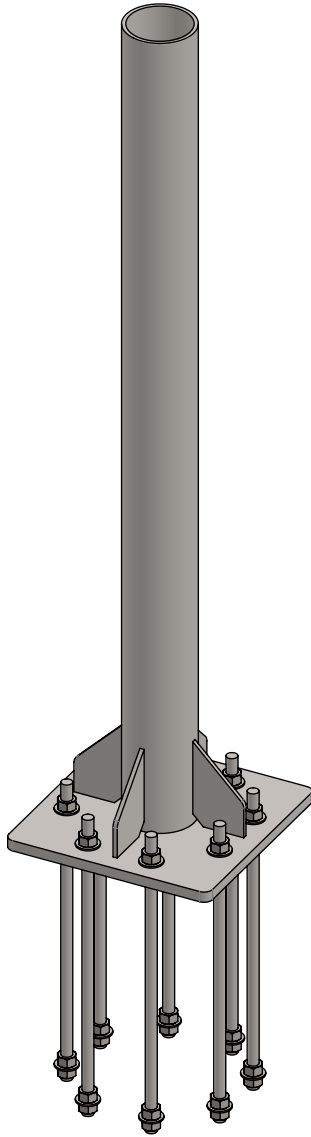
DO NOT SCALE DRAWING

BAIRD MOUNTING SYSTEMS

WATERLOO, IA 50703
 PHONE: 319-233-3561
 SALES@BAIRDMOUNTS.COM

TITLE:
 4' PEDESTAL KIT-1.8m

DRAWN BY JK	DATE 07/28/15	
MATERIAL -	FINISH -	
DWG. PURPOSE INST	SHEET 2OF2	SCALE -
PART. NO. PK(000)X4BC975C1		
DWG. NO. PK(000)X4BC975C1 -INST		



PART NO.	MAST DIAMETER	WEIGHT
PK400X4BC975C1	4.00"OD	80 lbs.
PK450X4BC975C1	4.50"OD	82 lbs.
PK556X4BC975C1	5.56"OD	86 lbs.

PROPRIETARY AND CONFIDENTIAL
 THE INFORMATION CONTAINED IN THIS DRAWING IS THE SOLE PROPERTY OF BAIRD SUPPORTING SYSTEMS. ANY REPRODUCTION IN PART OR AS A WHOLE WITHOUT THE WRITTEN PERMISSION OF BAIRD SUPPORTING SYSTEMS IS PROHIBITED.



WWW.BAIRD MOUNTS.COM

UNLESS OTHERWISE SPECIFIED:
 DIMENSIONS ARE IN INCHES
 TOLERANCES:
 FRACTIONAL ±
 ANGULAR: MACH ± BEND ±
 TWO PLACE DECIMAL ±
 THREE PLACE DECIMAL ±

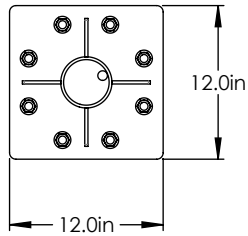
DO NOT SCALE DRAWING

BAIRD MOUNTING SYSTEMS

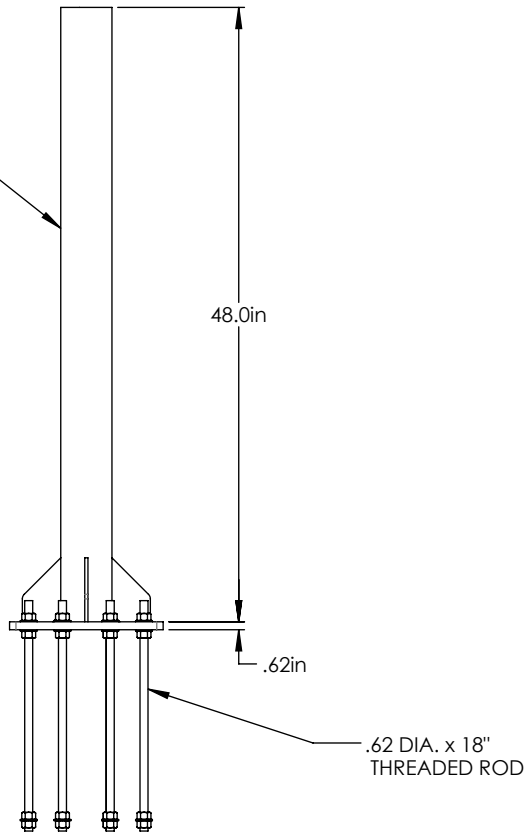
WATERLOO, IA 50703
 PHONE: 319-233-3561
 SALES@BAIRD MOUNTS.COM

DESCRIPTION:
 4' PEDESTAL KIT - 1.8M

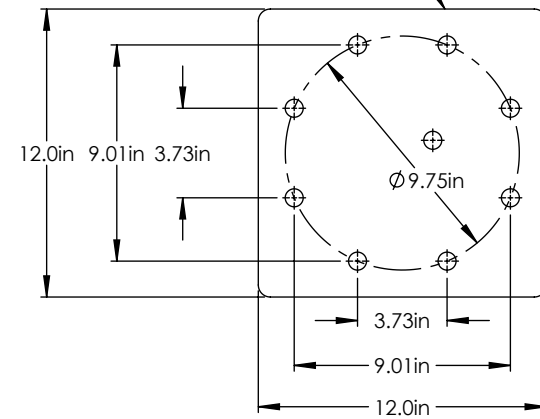
DRAWN BY JK	DATE 06/13/13	
MATERIAL STEEL	FINISH HDG	
DWG. PURPOSE CUSTOMER	SHEET 1 OF 2	SCALE -
PART. NO. SEE TABLE		
DWG. NO. PK(000)X4BC975C1		



SCHEDULE 40 PIPE



.75 DIA. HOLE
.62 DIA. BOLT



BASE PLATE DETAIL

PROPRIETARY AND CONFIDENTIAL

THE INFORMATION CONTAINED IN THIS DRAWING IS THE SOLE PROPERTY OF BAIRD SUPPORTING SYSTEMS. ANY REPRODUCTION IN PART OR AS A WHOLE WITHOUT THE WRITTEN PERMISSION OF BAIRD SUPPORTING SYSTEMS IS PROHIBITED.



WWW.BAIRD MOUNTS.COM

UNLESS OTHERWISE SPECIFIED:

DIMENSIONS ARE IN INCHES
TOLERANCES:
FRACTIONAL ±
ANGULAR: MACH ± BEND ±
TWO PLACE DECIMAL ±
THREE PLACE DECIMAL ±

DO NOT SCALE DRAWING

BAIRD MOUNTING SYSTEMS

WATERLOO, IA 50703
PHONE: 319-233-3561
SALES@BAIRDMOUNTS.COM

DESCRIPTION:
4' PEDESTAL KIT - 1.8M

DRAWN BY JK	DATE 06/10/13	
MATERIAL STEEL	FINISH HDG	
DWG. PURPOSE CUSTOMER	SHEET 2OF2	SCALE -
PART. NO. SEE TABLE-SHEET 1		
DWG. NO. PK(000)-4BC975C1		