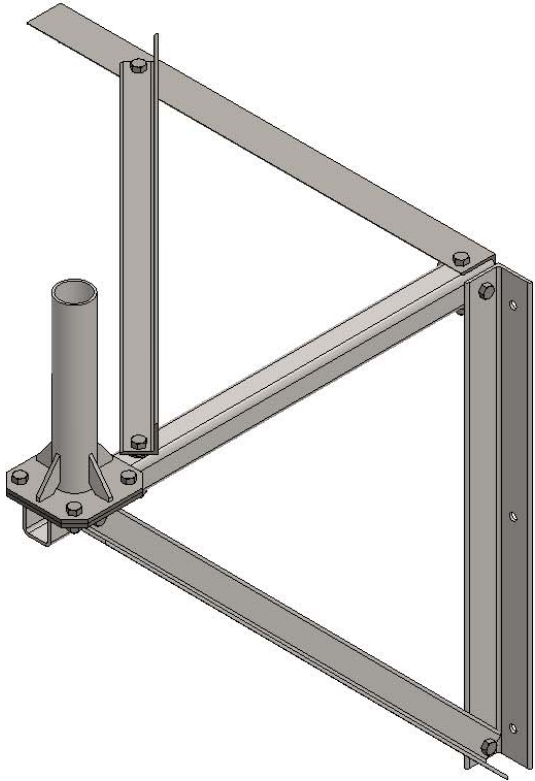


PART NO.	MAST DIAMETER	WEIGHT
WL4-166X1	1.66"OD [42.2mm]	56 lbs. [25.4kg]
WL4-190X1	1.90"OD [48.3mm]	56 lbs. [25.4kg]
WL4-200X1	2"OD [50.8mm]	56 lbs. [25.4kg]
WL4-237X1	2.37"OD [60.3mm]	56 lbs. [25.4kg]
WL4-288X1	2.88"OD [73mm]	56 lbs. [25.4kg]
WL4-300X1	3"OD [76.2mm]	56 lbs. [25.4kg]



PROPRIETARY AND CONFIDENTIAL
 THE INFORMATION CONTAINED IN THIS DRAWING IS THE SOLE PROPERTY OF BAIRD SUPPORTING SYSTEMS. ANY REPRODUCTION IN PART OR AS A WHOLE WITHOUT THE WRITTEN PERMISSION OF BAIRD SUPPORTING SYSTEMS IS PROHIBITED.



UNLESS OTHERWISE SPECIFIED:
 DIMENSIONS ARE IN INCHES
 TOLERANCES:
 FRACTIONAL ±
 ANGULAR: MACH ± BEND ±
 TWO PLACE DECIMAL ±
 THREE PLACE DECIMAL ±

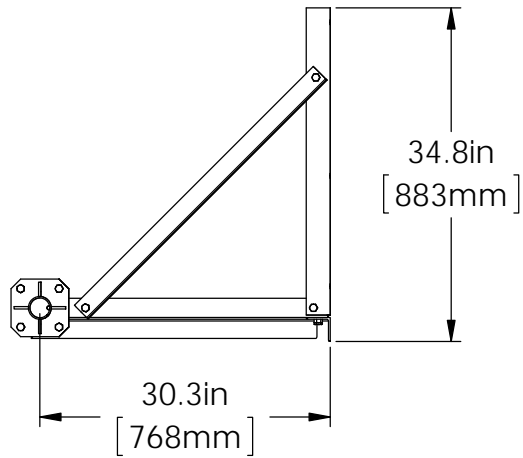
DO NOT SCALE DRAWING

BAIRD MOUNTING SYSTEMS

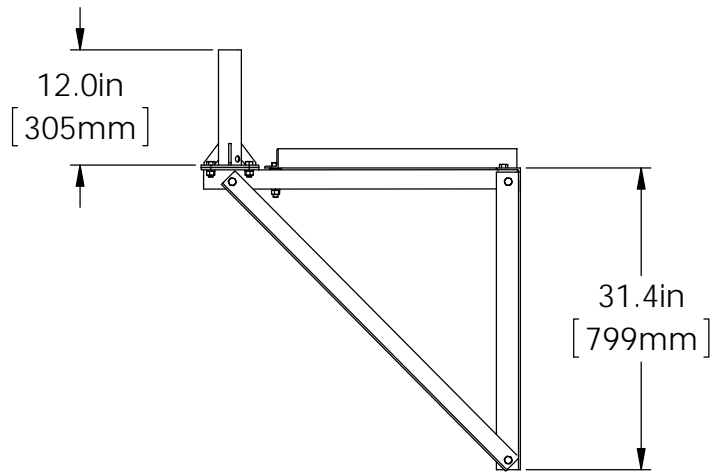
WATERLOO, IA 50703
 PHONE: 319-233-3561
 SALES@BAIRD MOUNTS.COM

TITLE:
 WL4 WALL MOUNT WITH 1' MAST

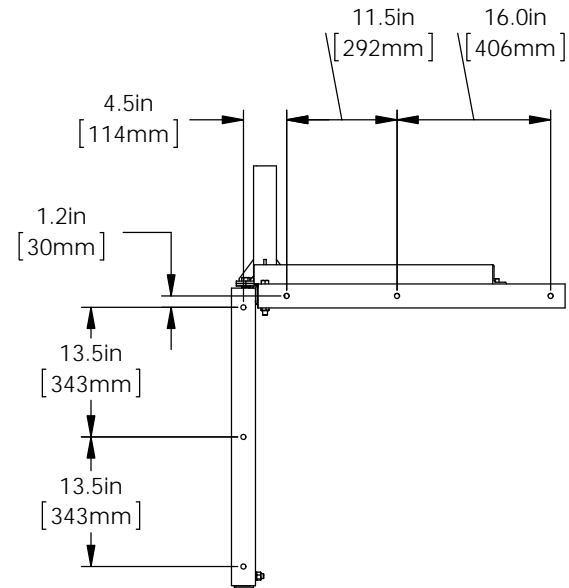
DRAWN BY JK	DATE 05/31/13	
MATERIAL STEEL	FINISH HDG	
DWG. PURPOSE CUSTOMER	SHEET 1OF2	SCALE 1:10
PART. NO. SEE TABLE		
DWG. NO. WL4-(000)X1		



TOP VIEW



SIDE VIEW



REAR VIEW

PROPRIETARY AND CONFIDENTIAL
 THE INFORMATION CONTAINED IN THIS DRAWING IS THE SOLE PROPERTY OF BAIRD SUPPORTING SYSTEMS. ANY REPRODUCTION IN PART OR AS A WHOLE WITHOUT THE WRITTEN PERMISSION OF BAIRD SUPPORTING SYSTEMS IS PROHIBITED.



WWW.BAIRD MOUNTS.COM

UNLESS OTHERWISE SPECIFIED:
 DIMENSIONS ARE IN INCHES
 TOLERANCES:
 FRACTIONAL ±
 ANGULAR: MACH ± BEND ±
 TWO PLACE DECIMAL ±
 THREE PLACE DECIMAL ±

DO NOT SCALE DRAWING

BAIRD MOUNTING SYSTEMS

WATERLOO, IA 50703
 PHONE: 319-233-3561
 SALES@BAIRDMOUNTS.COM

TITLE:
 WL4 WALL MOUNT WITH 1' MAST

DRAWN BY JK	DATE 05/31/13	
MATERIAL STEEL	FINISH HDG	
DWG. PURPOSE CUSTOMER	SHEET 2OF2	SCALE 1:20

PART. NO.
 SEE TABLE-SHEET 1

DWG. NO.
 WL4-(000)X1