

PART NO.	MAST DIAMETER	WEIGHT
WL2-36-237X3	2.37"OD [60.3mm]	197 lbs. [89.4kg]
WL2-36-288X3	2.88"OD [73mm]	204 lbs. [92.5kg]
WL2-36-300X3	3"OD [73mm]	210 lbs. [95.3kg]
WL2-36-350X3	3.5"OD [88.9mm]	210 lbs. [95.3kg]
WL2-36-400X3	4"OD [101.6mm]	215 lbs. [97.5kg]
WL2-36-450X3	4.5"OD [114.3mm]	220 lbs. [99.8kg]
WL2-36-556X3	5.56"OD [141.3mm]	232 lbs. [105.2kg]
WL2-36-662X3	6.62"OD [168.3mm]	246 lbs. [111.6kg]

PROPRIETARY AND CONFIDENTIAL

THE INFORMATION CONTAINED IN THIS DRAWING IS THE SOLE PROPERTY OF BAIRD SUPPORTING SYSTEMS. ANY REPRODUCTION IN PART OR AS A WHOLE WITHOUT THE WRITTEN PERMISSION OF BAIRD SUPPORTING SYSTEMS IS PROHIBITED.



WWW.BAIRD MOUNTS.COM

UNLESS OTHERWISE SPECIFIED:

DIMENSIONS ARE IN INCHES
 TOLERANCES:
 FRACTIONAL ±
 ANGULAR: MACH ± BEND ±
 TWO PLACE DECIMAL ±
 THREE PLACE DECIMAL ±

DO NOT SCALE DRAWING

BAIRD MOUNTING SYSTEMS

WATERLOO, IA 50703
 PHONE: 319-233-3561
 SALES@BAIRD MOUNTS.COM

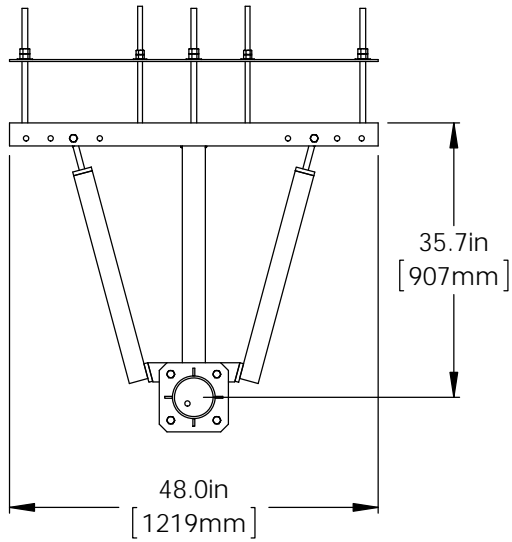
DESCRIPTION:

WL2-36 WALL MOUNT WITH 3' MAST

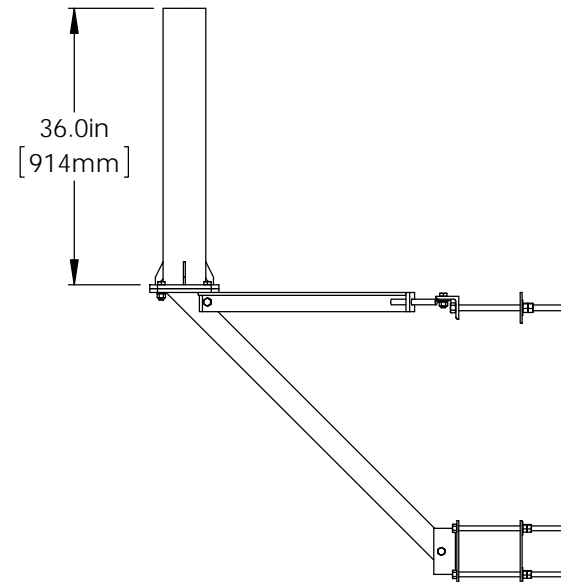
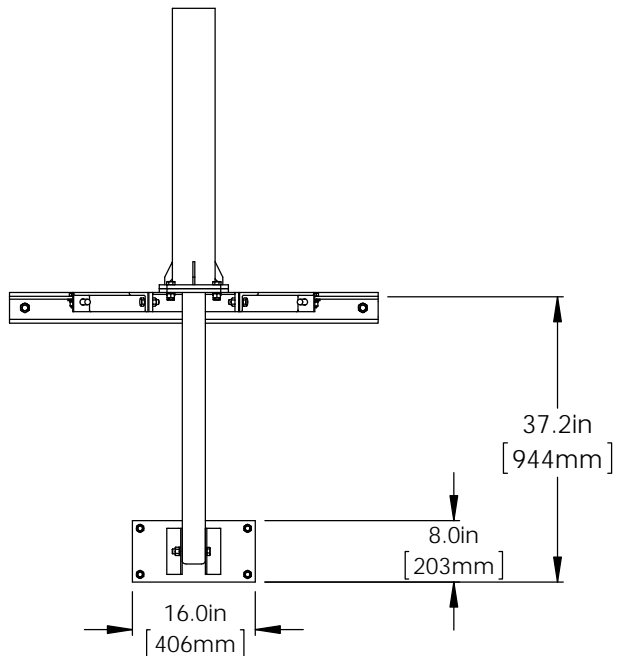
DRAWN BY JK	DATE 06/04/13
MATERIAL STEEL	FINISH HDG
DWG. PURPOSE CUSTOMER	SHEET 1OF2
	SCALE 1:15

PART. NO.
SEE TABLE

DWG. NO.
WL2-36-(000)X3



MOUNT IS SHOWN WITH THE THRU-WALL MOUNTING KIT. COMES STANDARD WITH THE WL2-36 WALL MOUNT.



PROPRIETARY AND CONFIDENTIAL
THE INFORMATION CONTAINED IN THIS DRAWING IS THE SOLE PROPERTY OF BAIRD SUPPORTING SYSTEMS. ANY REPRODUCTION IN PART OR AS A WHOLE WITHOUT THE WRITTEN PERMISSION OF BAIRD SUPPORTING SYSTEMS IS PROHIBITED.



WWW.BAIRD MOUNTS.COM

UNLESS OTHERWISE SPECIFIED:
DIMENSIONS ARE IN INCHES
TOLERANCES:
FRACTIONAL ±
ANGULAR: MACH ± BEND ±
TWO PLACE DECIMAL ±
THREE PLACE DECIMAL ±

DO NOT SCALE DRAWING

BAIRD MOUNTING SYSTEMS

WATERLOO, IA 50703
PHONE: 319-233-3561
SALES@BAIRD MOUNTS.COM

DESCRIPTION:
WL2-36 WALL MOUNT WITH 3' MAST

DRAWN BY JK	DATE 06/04/13
MATERIAL STEEL	FINISH HDG
DWG. PURPOSE CUSTOMER	SHEET 2OF2
	SCALE 1:25

PART. NO.
SEE TABLE-SHEET 1

DWG. NO.
WL2-36-(000)X3