

**Model: WL-2 (36")**  
**Type: Wall Mount System**  
**1.8M to 3.0M Antennas**

Baird is the world's leading antenna mounting systems manufacturer. Baird designs, tests and manufactures mounting systems for every antenna offered in the world today. In the most demanding situations and conditions on earth, Baird is ***Underneath It All.***

### Superior Quality

- 100% hot dipped galvanized finish
- Zinc plated hardware
- Design tested for survivability
- State-of-the-art manufacturing
- Heavy gauge steel fabrication

### Ultimate Flexibility

- Mast sizes to accommodate ALL major antenna brands
- Mast heights up to 10' (3.2M) for wireless and other applications
- Custom installations? Baird can meet your needs with more than 20 years of Industry experience

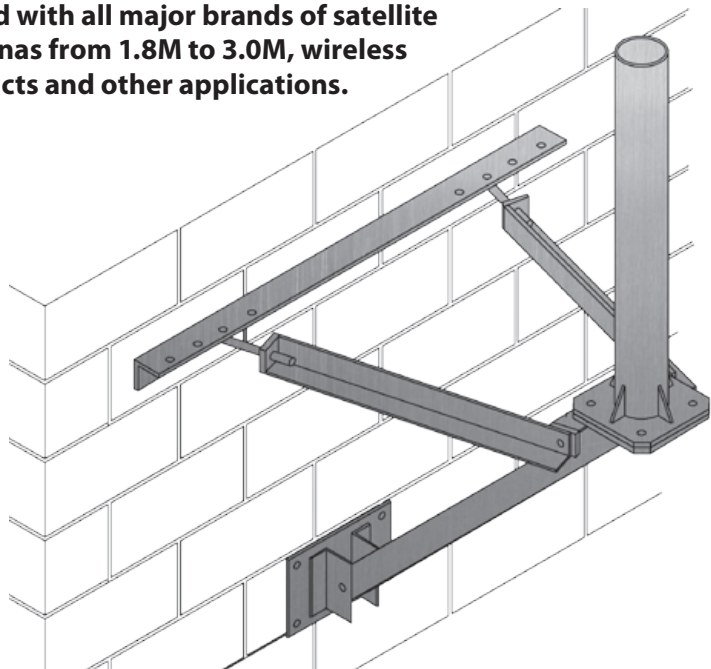
### Product Support

- Engineering and installation support
- Site specific ballast calculations
- Same day shipping of in-stock items
- Extensive inventory

### Warranty

- Your mount is backed by Baird's industry leading...**10 year warranty!**

The WL-2 (36") is designed to be a solid wall mount with a 36" offset to accommodate a wide range of products. The WL-2 (36") is used with all major brands of satellite antennas from 1.8M to 3.0M, wireless products and other applications.



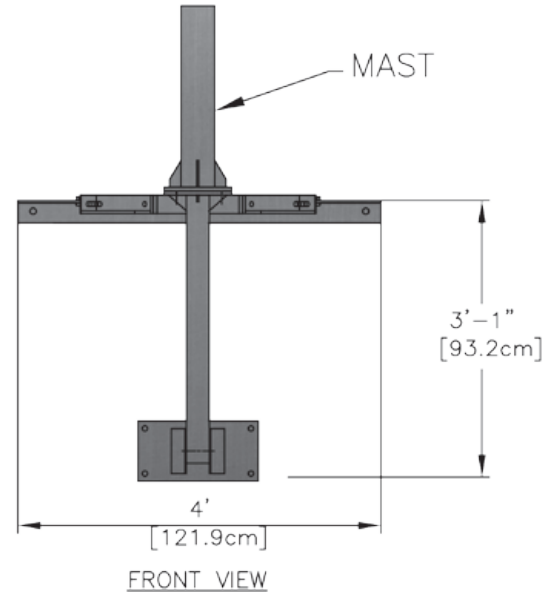
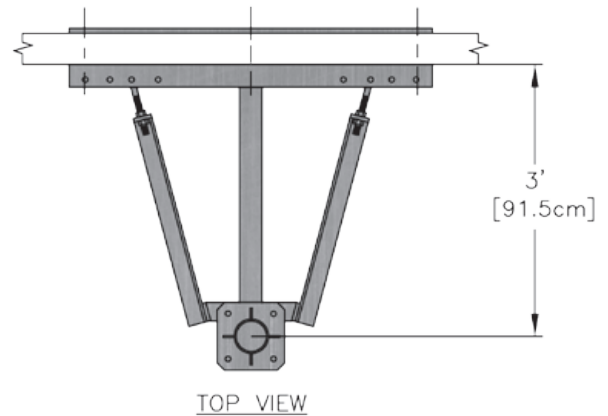
Baird Mounting Systems  
3160 Logan Ave  
Waterloo, Iowa 50703

Phone: 319-233-3561  
Fax: 319-235-7653

[www.BairdMounts.com](http://www.BairdMounts.com)

PART NUMBER	DESCRIPTION
WL2-36-350x3	Wall Mount, 36" Offset From Wall, 3.50" O.D. x 3' Mast
WL2-36-400x3	Wall Mount, 36" Offset From Wall, 4.00" O.D. x 3' Mast
WL2-36-450x3	Wall Mount, 36" Offset From Wall, 4.50" O.D. x 3' Mast
WL2-36-550x3	Wall Mount, 36" Offset From Wall, 5.50" O.D. x 3' Mast
WL2-36-556x3	Wall Mount, 36" Offset From Wall, 5.56" O.D. x 3' Mast
WL2-36-662x3	Wall Mount, 36" Offset From Wall, 6.62" O.D. x 3' Mast

PRODUCT INFORMATION	
Application:	Wall
Type:	Penetrating, Wall
Uses:	Satellite From 1.8M to 3.0M Wireless Other Applications
Wall Offset:	35.6" Offset From Wall
Finish:	Hot Dip Galvanized
Satellite Mast Sizes:	2.88" O.D. to 6.62" O.D. 2.0' to 3.0' Mast Height
Wireless / Other Application Mast Sizes:	2.37" O.D. to 4.50" O.D. 3.0' to 8.0' Mast Height
Wall Mounting:	Mounting Kit Included
Shipping:	Freight
Warranty:	10 Year Product Warranty



[www.BairdMounts.com](http://www.BairdMounts.com)

**Model: WL-2 (36")**  
**Type: Wall Mount System**  
**1.8M to 3.0M Antennas**

**BAIRD**   
 SATELLITE MOUNTING SYSTEMS